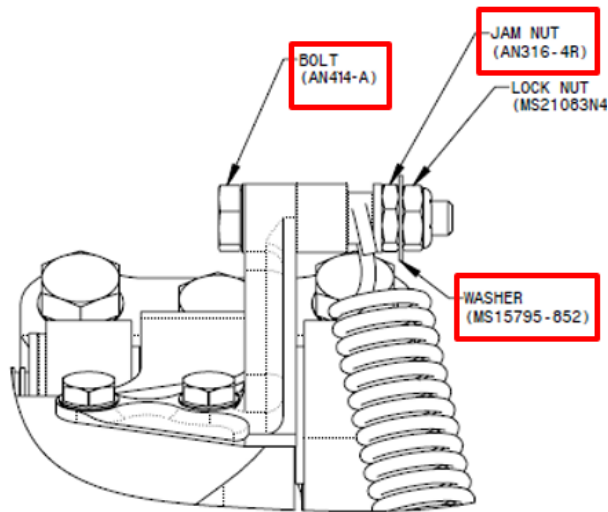


SERVICE LETTER SL35 65-45000

1. **Release Date:** 08/16/2017
2. **Service Letter No.:** SL35 65-45000
3. **Reason for Change:** Add washer to better hold MLG spring in case of broken spring.
4. **Part/Assembly No.:** 65-45000
5. **Float Model Affected:** 6650
6. **Disposition of Product in Field:** Recommended
7. **Approval:** All information provided is in accordance with approved data.
8. **Corrective Action:** Add washer and low-profile jam nut in line for spring retention hardware.
9. **Time Required:** Under 1 hour
10. **Payments to customer:** None. Call (208) 448-0400 for Parts Department

Instructions:

1. Remove bolt AN4-11 and replace with AN4-14A (33).



2. Use MS15795-852 washer and AN316-4R jam nut as shown above.

Part Kit

Item No.	Qty	Type	Part Number	Description	Alternatives Comments
33	2	HRDWR	AN4-14A	BOLT – MACHINE, AIRCRAFT	
43	4	HRDWR	MS15795-852	FLAT WASHER	

-END-