

**Service Letter #:** SL14-6647111

**Date:** 1/07/2015

**Part/Assembly #:** 66-47111 Check Valve, Hydraulic Hand Pump Aerocet Model 1500 Floats.

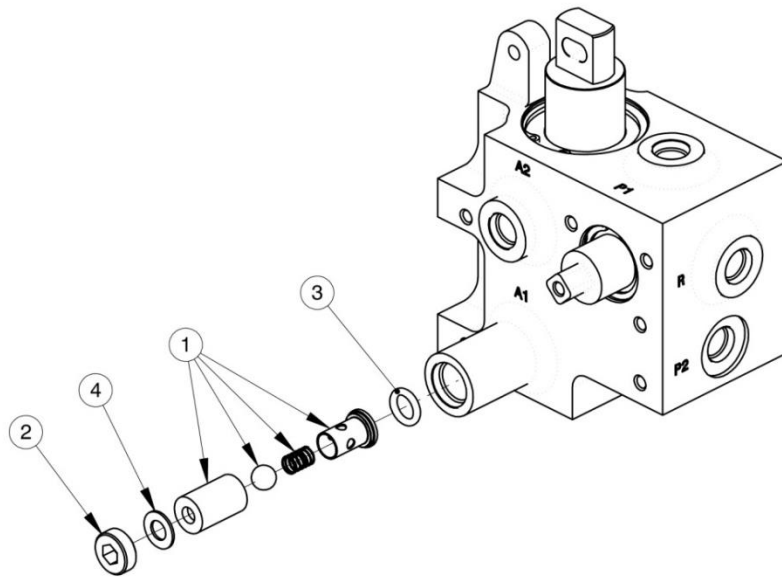
**Float Model/Aircraft Affected:** 1500 Amphibious Model Floats, Float Serial Numbers 0315-04-1500 and prior.

**Subject:** Product Improvements on Aerocet Check Valve, Hydraulic Hand Pump P/N 66-47111.

This service letter is notification of the following product improvements by Aerocet, Inc. to the Check Valve, Hydraulic Hand Pump Model 1500 (Aerocet P/N 66-47111), affecting Amphibious Float Model 1500, Production Numbers 0315-04-1500 and previous. These product improvements have been incorporated into new 1500 Float Models with production numbers 0415-04-1500 and later.

66-47111 Check Valve, Hydraulic Hand Pump

This design change is intended to enhance the function and operation of the Check Valve in the Hydraulic Hand Pump, Core Block Assembly.



ITEM NO.	QTY	TYPE	PART NUMBER	DESCRIPTION
1	1	ASSY	66-47111	CHECK VALVE, HYDRAULIC HAND PUMP
2	1	PART	66-47155	RETAINING NUT, 9/16-18 EXTERNAL
3	1	HRDWR	M83461/1-012	O-RING (ALT. USE MS28775-012)
4	1	HRDWR	NAS1149C0432R	WASHER, FLAT, STAINLESS

**(Fig.1)**

### **Procedures:**

Replace 66-47108 Check Valve, Cartridge, Hydraulic with 66-47111 Check Valve, Hydraulic Hand Pump as shown in (Fig 1).

- 1) Remove hydraulic line that connects the hand pump to the reservoir assembly.
- 2) Remove the hydraulic fitting on the pump.
- 3) Use 1/4" allen wrench and remove set screw behind the inlet fitting.
- 4) Use a small pick or equivalent and remove flat washer, check valve cartridge, and o-ring seal.
- 5) Apply a light film of lithium grease to o-ring seal, and position in bore. Install new check valve cartridge, oriented as shown in (Fig. 1).
- 6) Install flat washer and secure all components with retaining nut. (Do not overtighten).
- 7) Refill hydraulic fluid reservoir as required. Cycle gear up and down without pressurizing multiple times or until all air is purged from the system.

This is to be accomplished during the next scheduled maintenance period, not to exceed the next 100 hour or annual inspection.

**Time Required:** 30 minutes

Note: Aerocet, Inc. to provide the parts and hardware at no cost. **All labor costs for replacement and installation of the upgraded parts are to be covered at the owner's expense.**

**END**