

SERVICE LETTER SL44 66-12107

1. **Release Date:** 08/22/2018
2. **Service Letter No.:** SL44 66-12107
3. **Reason for Change:** Tolerance stacking between the Aircraft and the float installation parts is causing an installation difficulty.
4. **Part/Assembly No.:** 66-12107
5. **Float Model Affected:** 6650 and 6750
6. **Disposition of Product in Field:** NA
7. **Approval:** All information provided is in accordance with approved data.
8. **Corrective Action:** Informational Only
9. **Time Required:** NA
10. **Payments to customer:** None. Call (208) 448-0400 for Parts Department

NOTE:

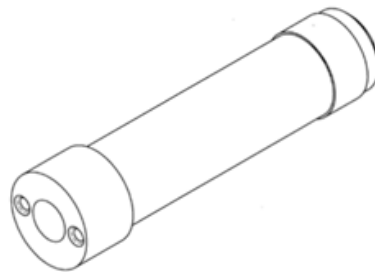
66-12107 SPACER, FWD FUSELAGE FITTING, AEROCET MODEL 6650 FLOAT INSTALLATION, KODIAK AIRCRAFT

Purpose:

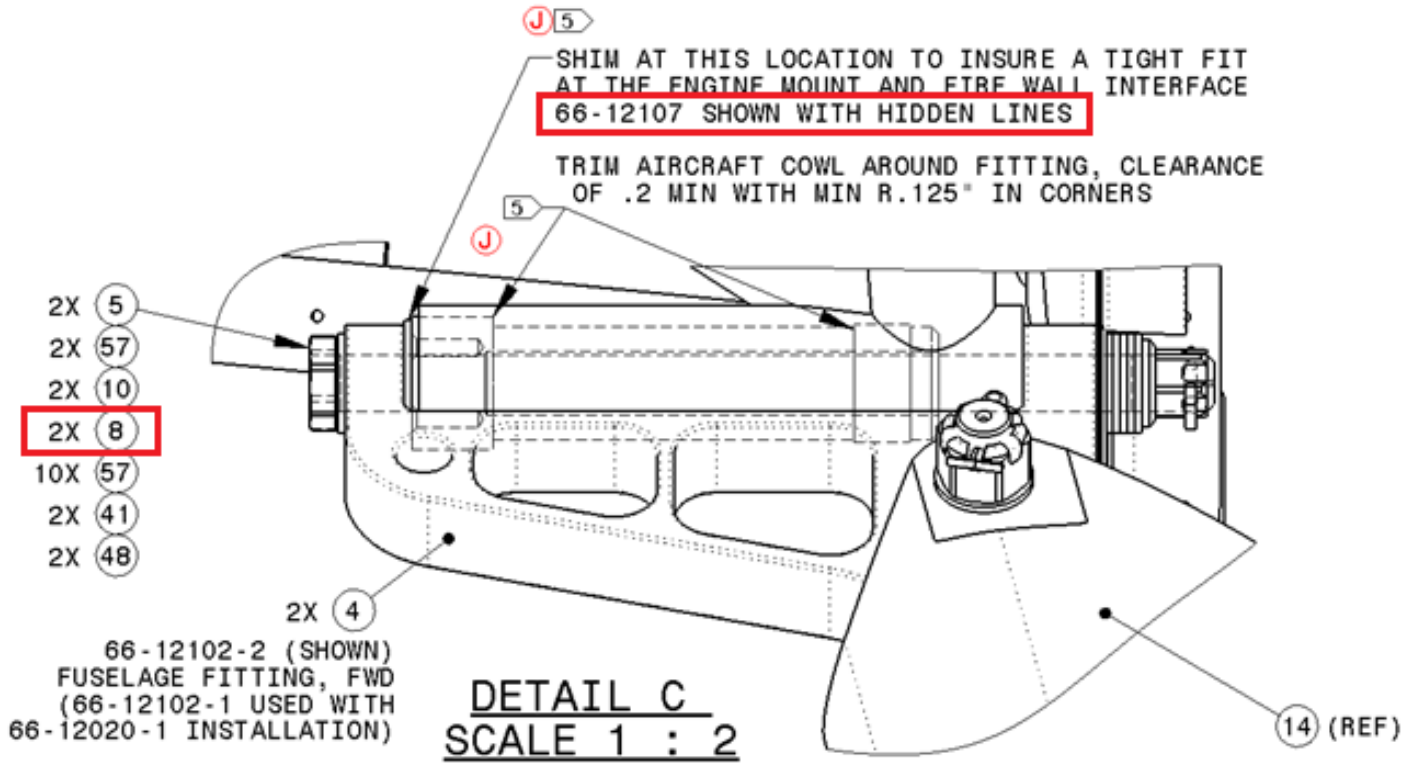
To accommodate the tolerance of the engine mount, Aerocet redesigned the 66-12107 spacer, ultimately manufacturing them in three different outside dimension sizes. The -1 is the smaller of the spacers and the -3 is the largest.

66-12107 Installation:

The installer or mechanic is to use the largest dash number (66-12107-1 through -3) that will fit inside the engine mounts.



66-12107 ISOMETRIC VIEW



Parts Kit

Item No.	Qty			Type	Part Number	Description
	-1	-2	-3			
8	2	2	2	PART	66-12107	SPACER, FWD FUSELAGE FITTING

-END-