

SERVICE LETTER SL28 65-47000



1. **Service Letter No.:** SL28 65-47000
2. **Release Date:** 06/06/2017
3. **Reason for Change:** Replace Hard Hydraulic Brake Line with Flexible Hydraulic Brake Line
4. **Part/Assembly No.:** 65-47000
5. **Float Model Affected:** 6650
6. **Disposition of Product in Field:** Optional
7. **Approval:** All information provided is in accordance with approved data.
8. **Time Required:** 2 Hours
9. **Payments:** None. Call (208) 448-0400 For Parts Department.

Parts List				
Item No.	Quantity	Type	Part No.	Description
9	RHS 1, LHS1	PART	65-45168	BRACKET, BULKHEAD FITTING, BRAKE LINE
34	RHS 1, LHS1	ASSEMBLY	65-47025	TUBE, HYDRAULIC, BRAKE, FLEXIBLE, LINE 1
41	RHS 2, LHS 2	HRDWR	AN3H3A	BOLT – MACHINE, AIRCRAFT
43	RHS 2, LHS 2	HRDWR	AN924—4J	NUT, TUBE, BULKHEAD AND UNIVERSAL FITTING
46	RHS 1, LHS1	HRDWR	AS1038J0404	ELBOW, FLARED TUBE, BULKHEAD AND UNIVERSAL, 90°, STAINLESS (AN833-4J OBS.)
47	RHS 1, LHS1	HRDWR	AS1039J040404	TEE, BULKHEAD AND UNIVERSAL FLARED TUBE (AN34-4J)
64	RHS 2, LHS 2	HRDWR	NAS1149D0363K	WASHER, FLAT

Instructions:

The following instructions are specific guidance in exchanging aluminum tube, 65-47029 (-L, -R) with 65-47025 flexible hose assembly.

1. Remove Main Wheels, brakes and oleo in accordance with A-10038.
2. Disconnect brake line from the fitting, Item 46 as shown below. Cap the open ends to prevent contamination and fluid loss.
3. Remove 65-45100 Lower Main Gear Assembly in accordance with A-10038.

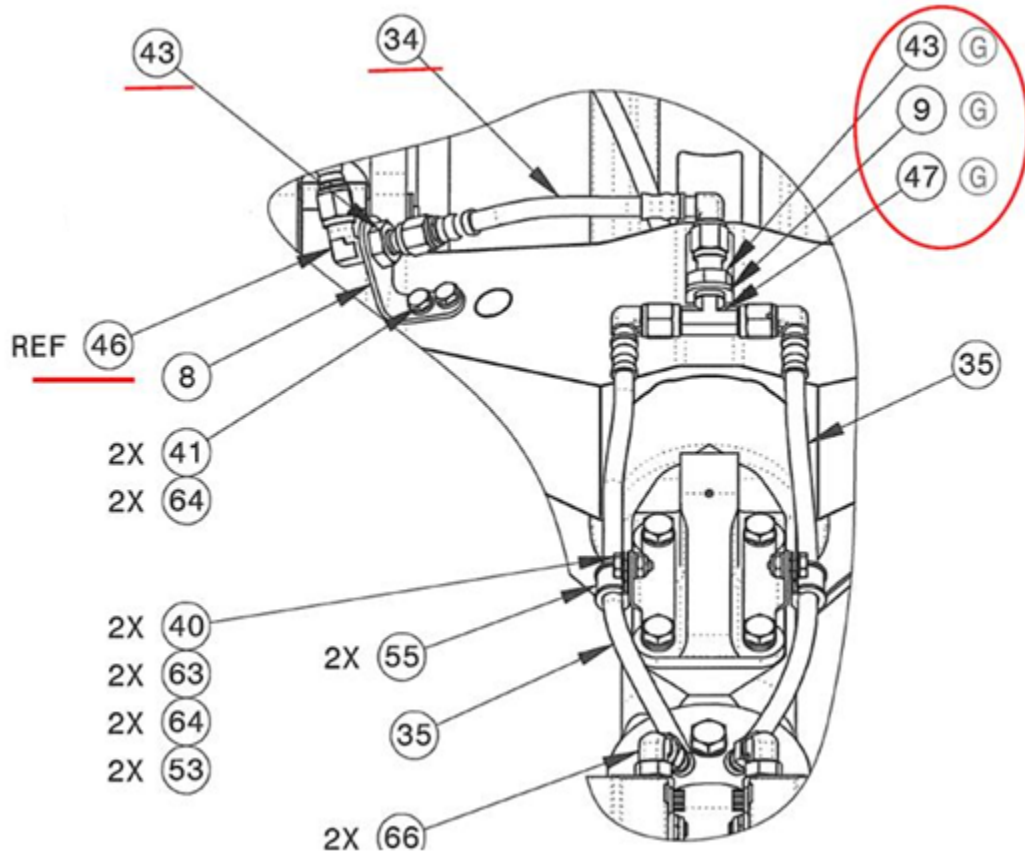


Figure 1: Replacement of Aluminum Tube with Flexible Hydraulic Brake Line (34) Note the highlighted items.

- Drill and tap the lower main gear yoke as shown in the figures below, 10-32 thread. (See Below Figures 2 and 2A) to the top of the MLG Yoke, 65-45163. **Drill to no more than .375" depth to the drill tip (DO NOT tap too deeply. Avoid striking the torque tube beneath.)**

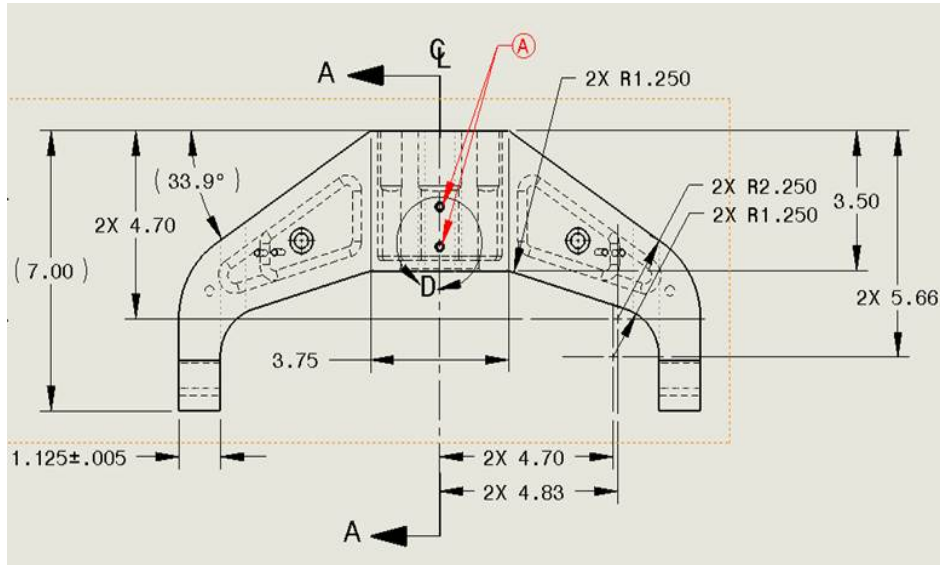


Figure 2A: Showing location of new 10-32 threaded holes.

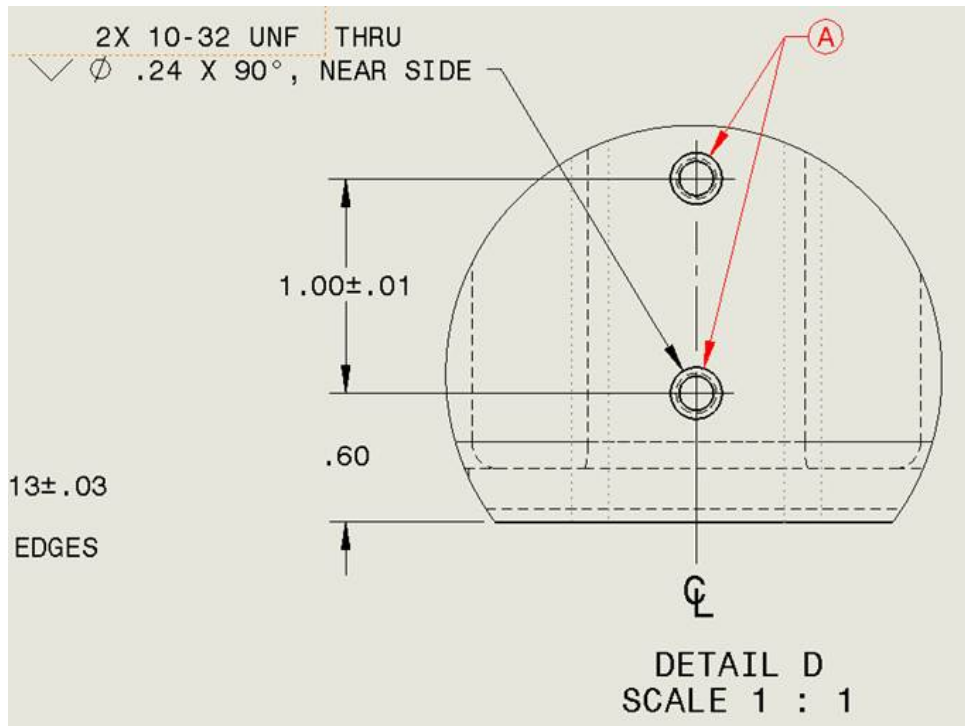


Figure 2B: Expanded View of 10-32 Threaded Holes.

5. Install 65-5168 Bracket as shown in Figure 3.
6. Replace the aluminum AN Fittings with Stainless versions. (See Figures 2A, 2B, 3)

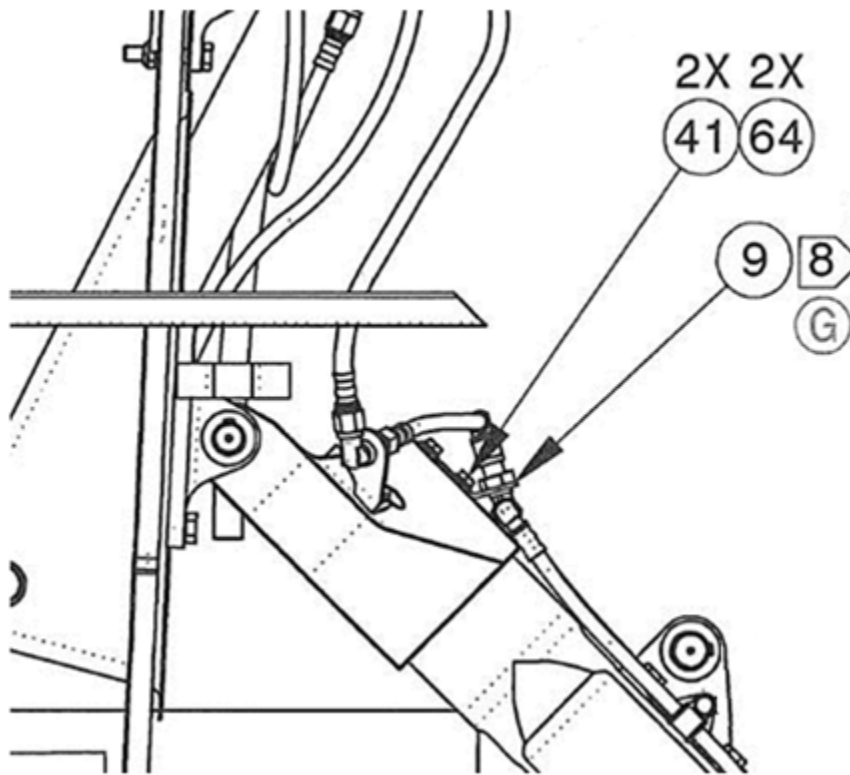


Figure 3: 65-45168 Bracket Installation: AN3H3A Bolts and NAS1149D0363K Washers

7. Reinstall 65-45100 Lower Main Gear Assembly. (Ref A-10038)
8. Reinstall 65-45200 Oleo.
9. Connect upper brake line.
10. Reinstall Brake Mounts, wheels and brakes in accordance with A-10038.
11. Bleed the brakes thoroughly, checking fluid levels frequently.
12. Perform tests to ensure proper braking functions with no leakage.

-END-