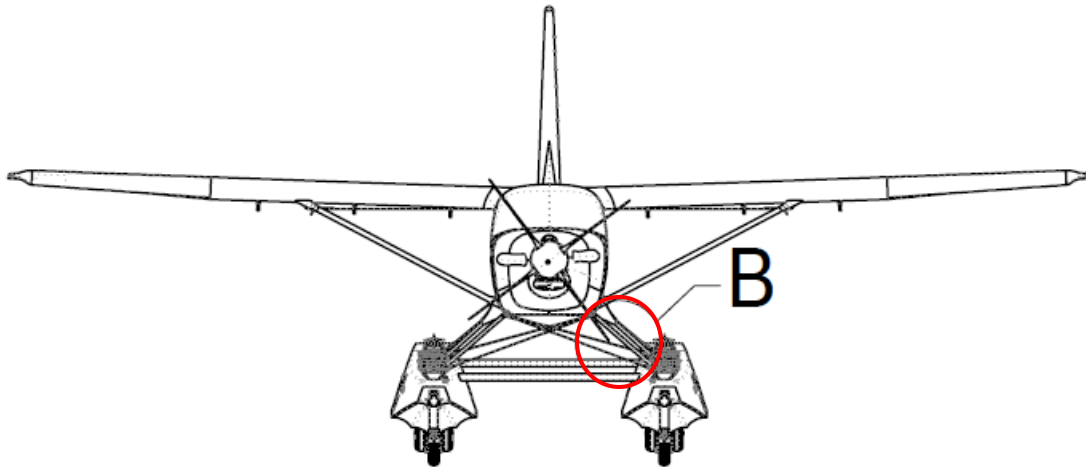


1. **Date:** March 29, 2017
2. **Service Letter No.:** SL27 66-12020
3. **Reason for Change:** New Forward Strut
4. **Part/Assembly No.:** 66-12126
5. **Float Model Affected:** 6650 per STC SA02452SE
6. **Disposition of Product in Field:** NA
7. **Approval:** All information provided is in accordance with approved data.
8. **Corrective Action:** Optional
9. **Time Required:** 3 to 3.5 Hours

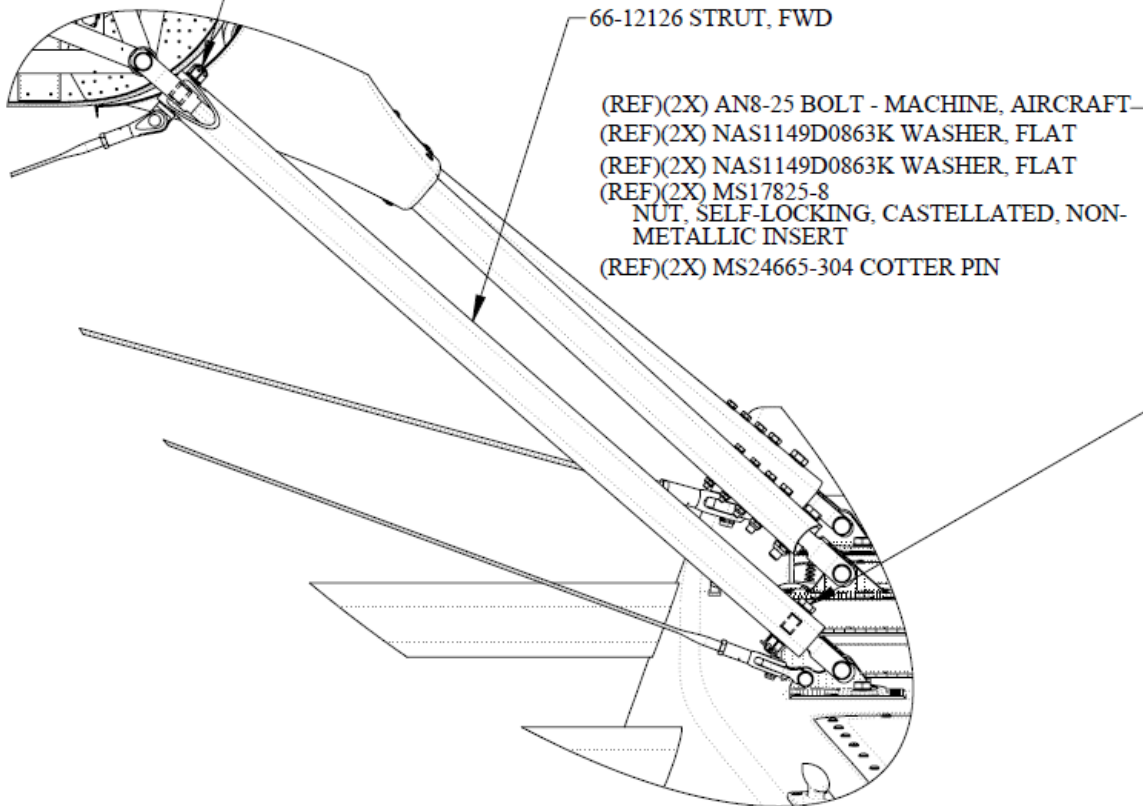
Parts List				
Item No.	Quantity	Type	Part No.	Description
1	1		66-12126	Strut, Forward
2	4		NAS1149D0863K	Washers

**Instructions:**

1. Hoist airplane and secure.
2. Support floats.
3. Loosen and remove upper forward tie rod.
4. Remove AN48 eyebolts (upper Strut) and AN8-25 Bolts (lower strut).
5. Inspect fasteners and tie rods for any damage or corrosion.
6. Install new strut.
7. Reinstall tie rod.
8. Apply EZ-TURN Lubricant by United Erie, (readily available through common aviation supply outlets) or equivalent to all fasteners during and after installation to inhibit corrosion.
9. Fastener torque in accordance with A-10038, Section 1.4.
10. Adjust tie rods and rig installation in accordance with either 66-12020 Rev F or later, or SL23-66-12020 (Instructions to Properly Adjust Tie Rods).
11. Enter a weight and balance change of +5.1 lb. at FS 2.9 in. aft of firewall.



(REF)(2X) AN48-24 EYEBOLT  
(REF)(A/R) NAS1149D0863K WASHER, FLAT  
(REF)(2X) MS17825-8  
NUT, SELF-LOCKING, CASTELLATED, NON-  
METALLIC INSERT  
(REF)(2X) MS24665-304 COTTER PIN  
STACK WASHERS BENEATH  
MS17825-8 NUT AS NEC.  
TO ASSURE FULL COTTER  
ENGAGEMENT



66-12126 STRUT, FWD

(REF)(2X) AN8-25 BOLT - MACHINE, AIRCRAFT  
(REF)(2X) NAS1149D0863K WASHER, FLAT  
(REF)(2X) NAS1149D0863K WASHER, FLAT  
(REF)(2X) MS17825-8  
NUT, SELF-LOCKING, CASTELLATED, NON-  
METALLIC INSERT  
(REF)(2X) MS24665-304 COTTER PIN

-END-