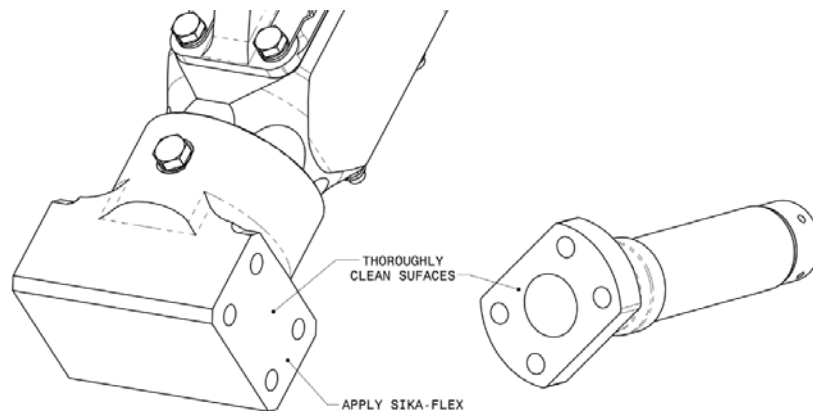


1. **Date:** 02/01/2017
2. **Service Letter No.:** SL22 65-45700
3. **Reason for Change:** Potential Salt Water Corrosion of Lower Knuckle
4. **Part/Assembly No.:** 65-45700
5. **Float Model Affected:** 6650, 148-149 and previous
6. **Disposition of Product in Field:** Recommended
7. **Approval:** All information provided is in accordance with approved data.
8. **Corrective Action:** Add Sika-flex to main gear to eliminate corrosion.
9. **Time Required:** 4 hours; allow **additional 8-9 hours** curing time for Sika-flex
10. **Payments:** None. Call (208) 448-0400 FOR Parts Department.

No part kit required.

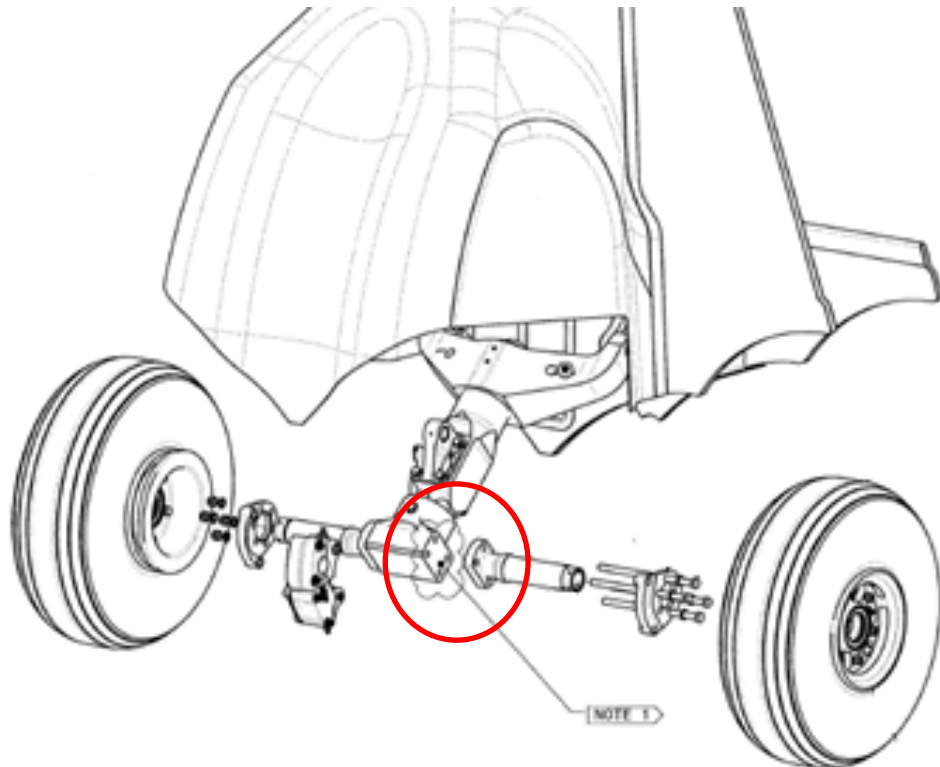
Replacement Instructions:

1. Drain oil bath wheels in accordance with A-10036.
2. Remove wheel and brake assemblies.
3. Remove axle tie bolts and axles.
4. Clean and inspect mating surfaces of axles and lower knuckles. Corrosion may be found where the hollow of the axle meets with the knuckle and holds water.
5. Repair or replace the lower main gear.
6. Clean faces of the lower knuckle and axles, prepare for adhering.



Cover this and opposite surface with sufficient amount of Sika-Flex 292 or similar marine grade adhesive to insure squeeze out at seams when bolted together.

7. Treat all parts and fasteners with corrosion inhibiting compounds such as PUR-AL-KETONE, LPS 3, CORROSION X, BOESHIELD T9, ACF-50, or marine grade grease.
8. Apply EZ-TURN lubricant, by United Erie (readily available through common aviation supply outlets) or equivalent to all fasteners during and after installation to inhibit corrosion.
9. Torque fasteners according to blot torque table; **re-torque after adhesive cures.**
Torque axle nut as follows:
 - a. Assure proper grease and grease seal installation.
 - b. Seat wheel bearing by tightening axle nut to 150-200 in/lbs.
 - c. Back nut to 0 in/lbs. and re-torque until perceptible drag is felt. Back nut 1/16 of a turn (one constellation) and install cotter pin in the nearest key hole.
 - d. Wheel should spin freely, without perceptible bearing play.



-END-