

Service Letter #: SL19 66-12700

Release Date: October 14, 2016

Part #: 66-12731 Flexible Hydraulic Lines

Float Model Affected: Aerocet Model 6650 Floats, Kodiak Aircraft

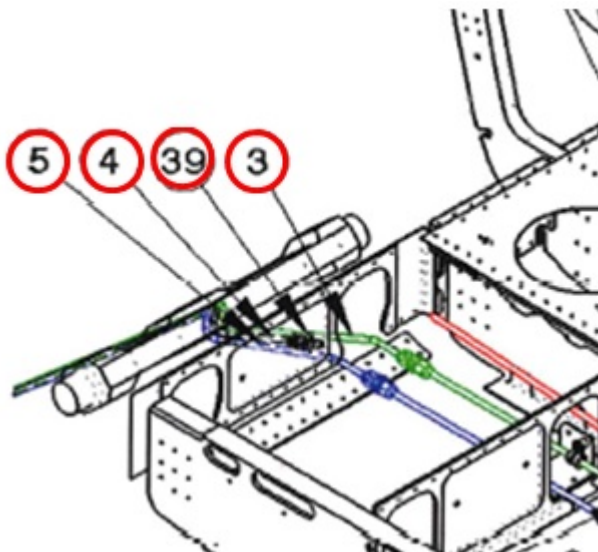
Disposition of Product in Field: Installation is optional. Parts are available to order by contacting our Parts Department (208) 448-0400.

Approval: All information provided is in accordance with approved data.

Affected: Parts and Assemblies, Illustrated Parts Catalog

Reason for Change: Customer has option of switching to flexible hydraulic hose to replace hard tubing.

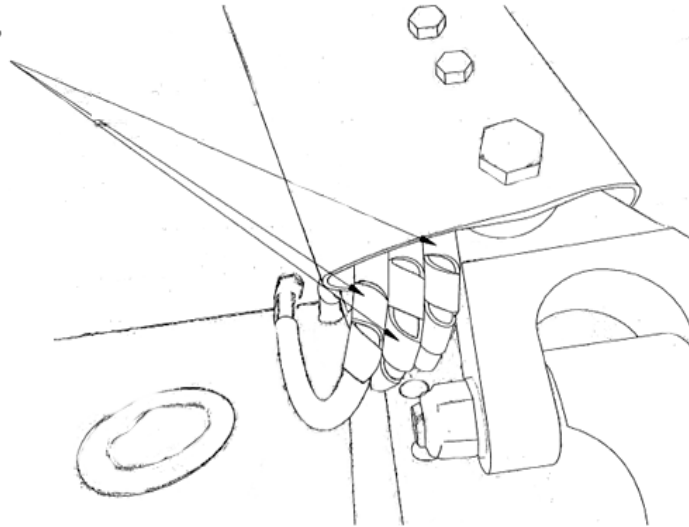
Time Required 2 hours



Description of Change:

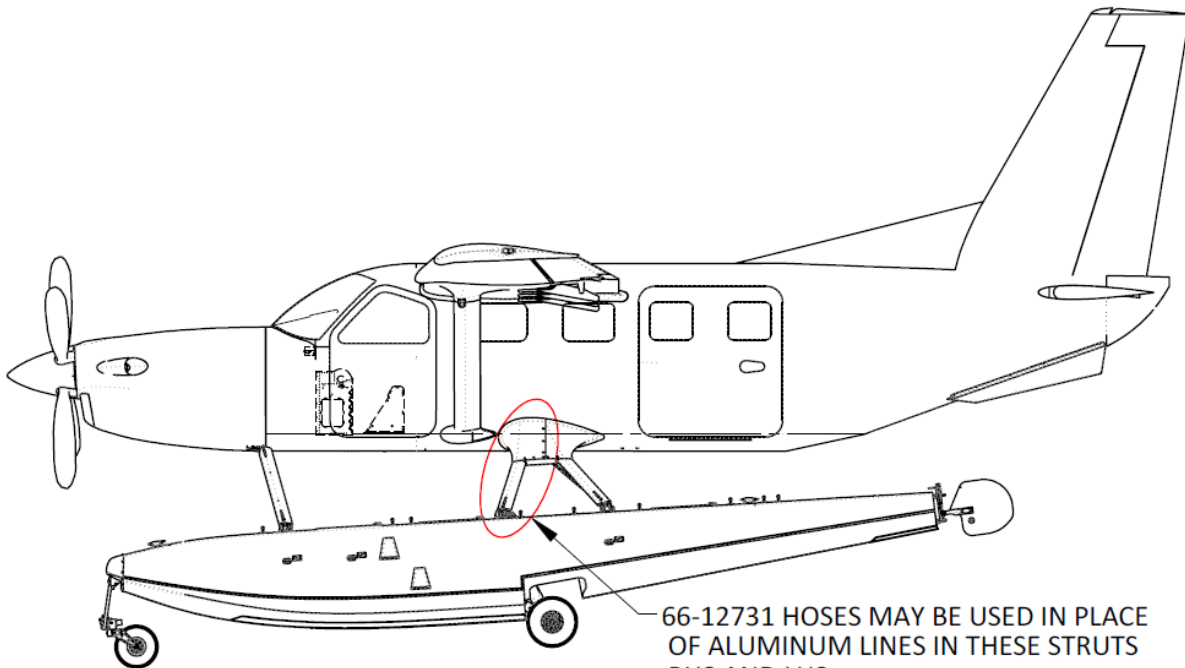
1. Apply flexible spiral wrap, approximately 6" length at possible contact points where hoses exit strut, top and bottom and at float and fuselage fittings. Spirals shall not align with contact edges. Reference 66-12700 drawing

(NOTE ORIENTATION OF SPIRAL SLITS,
ACROSS EDGES OF STRUT)
LOWER PORTION OF THE FLEX LINE
INSTALLATION SHOWN;
UPPER PORTION IS SIMILAR



ILLUSTRATED DETAIL VIEW SHOWING THE LOWER MID FLOAT FITTING
(UPPER INSTALLATION IS SIMILAR)

2. Use $\varnothing 1/4$ " nylon 6/6, flame retardant spiral wrap, Thomas and Betts SRNY-250-9-C or equivalent.



66-12731 HOSES MAY BE USED IN PLACE
OF ALUMINUM LINES IN THESE STRUTS
RHS AND LHS.

Partial Parts List from 66-12700 Drawing					
Item No.	QTY	Type	Part No.	Description	Optional
3	1	ASSY	66-12721	Tube, Hydraulic, #11 [Deploy LHS]	66-12731
4	1	ASSY	66-12722	Tube, Hydraulic, #12 [Brake LHS]	66-12731
5	1	ASSY	66-12723	Tube, Hydraulic, #13 [Retract LHS]	66-12731
6	1	ASSY	66-12724	Tube, Hydraulic, #14 [Deploy RHS]	66-12731
7	1	ASSY	66-12725	Tube, Hydraulic, #15 [Brake RHS]	66-12731
8	1	ASSY	66-12726	Tube, Hydraulic, #16 [Retract RHS]	66-12731
39	6	REFERENCE	AS5174D0404	Union, Flared Tube (AN8 15-4D, OBS.)	