



Service Letter #: SL07-35A-45050 Shear Pin

Date: 09/02/14

Part/Assembly #: 35A-45050 Shear Pin

Float Model/Aircraft Affected: Aerocet Model 3400 Amphibious Floats, Serial #330 and later, and any earlier floats in which cotter style shear pins have been replaced with the retaining ring style. (35A-45050, I/R is cotter pin style, while 35A-45050, Rev A is retaining ring style.)

Effected: 35A-45050 installations per Aerocet 35A-45000.

Symptom: MS16624-4050 Retaining Ring yielded due to over-spreading on installation.

It has been discovered that mechanics have overstretched the retaining rings that hold these pins in place upon either installation or removal of the shock strut reducing their retaining ability. As a result, retaining of the shock strut connecting pins may be lost.

Corrective Action Required:

Before next flight:

Assure that the connecting pins for the main gear shock strut (oleo) are secured (both top and bottom) with their respective retaining rings (Circlips, snap rings). (See Illustration on following sheet)

A further examination should be done by reaching in and rotating the retaining ring(s). If the retaining ring(s) rotates easily (no drag) then it likely has been overstretched and should be replaced.

Any reinstallation of these connecting pins should be done with new retaining rings.

These retaining rings are a common aviation product – part number MS16624-4050. They are available from us at cost plus shipping.

Aerocet , Inc. is working on a new connecting pin that will eliminate this possibility.

Inspection and replacement of MS16624-4050 Retaining Rings meets existing Aerocet, Inc. Type design.

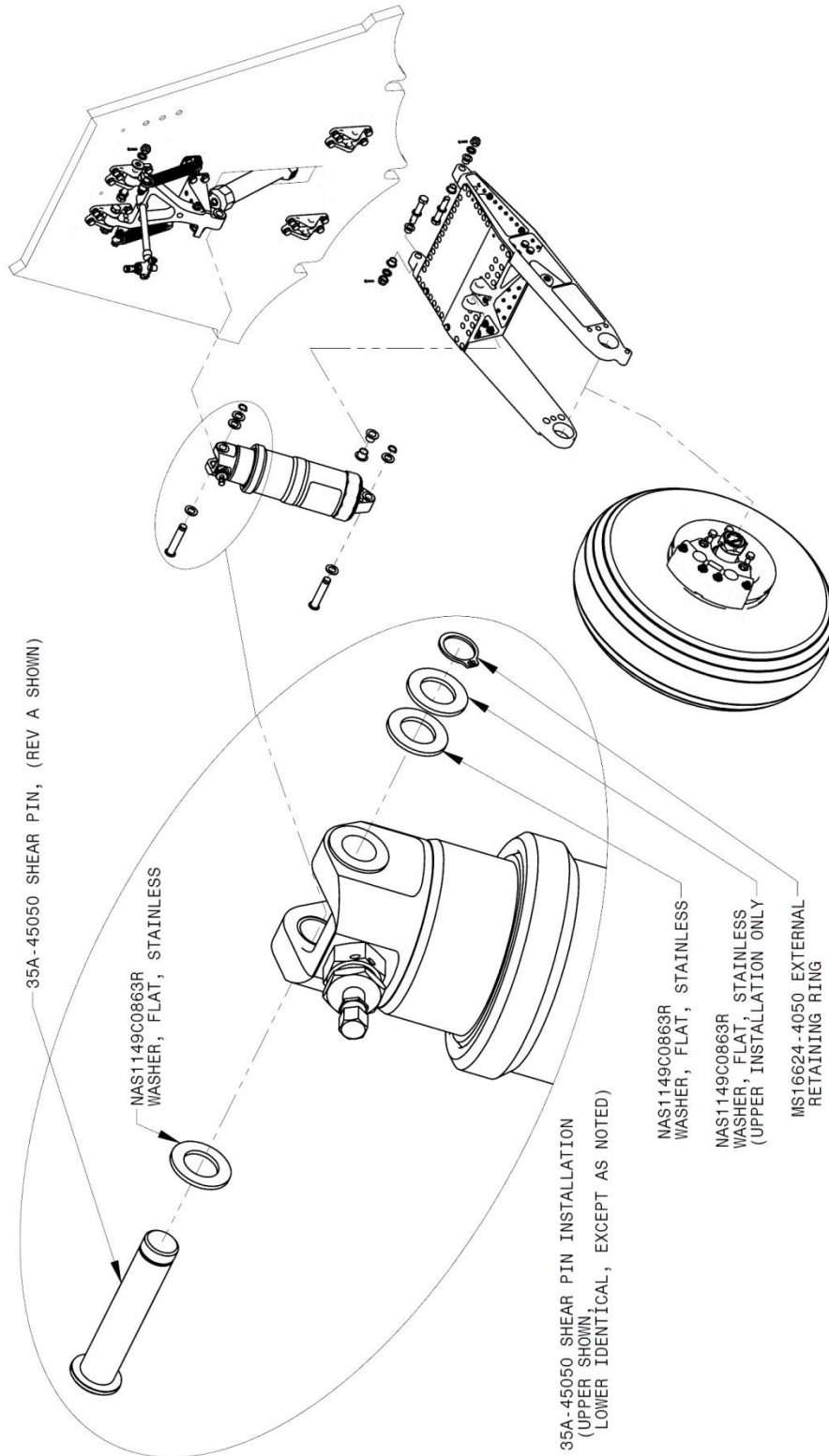


Figure 1 - Showing Main Landing Gear and 35A-45050 Pin Installation

- END -