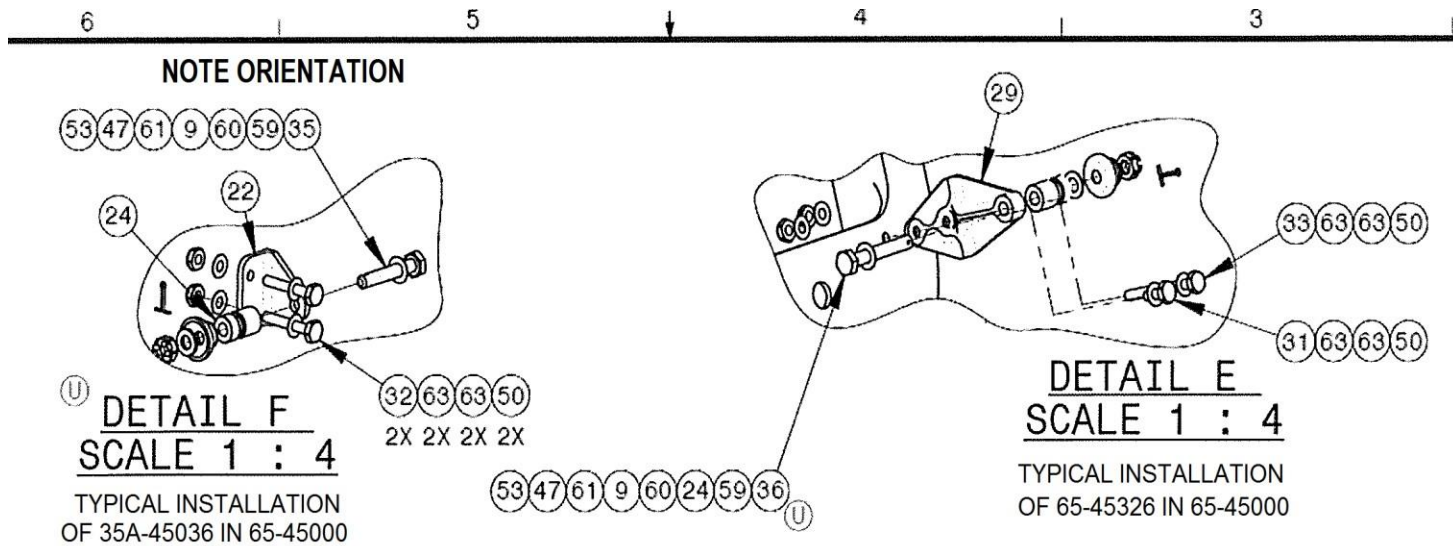
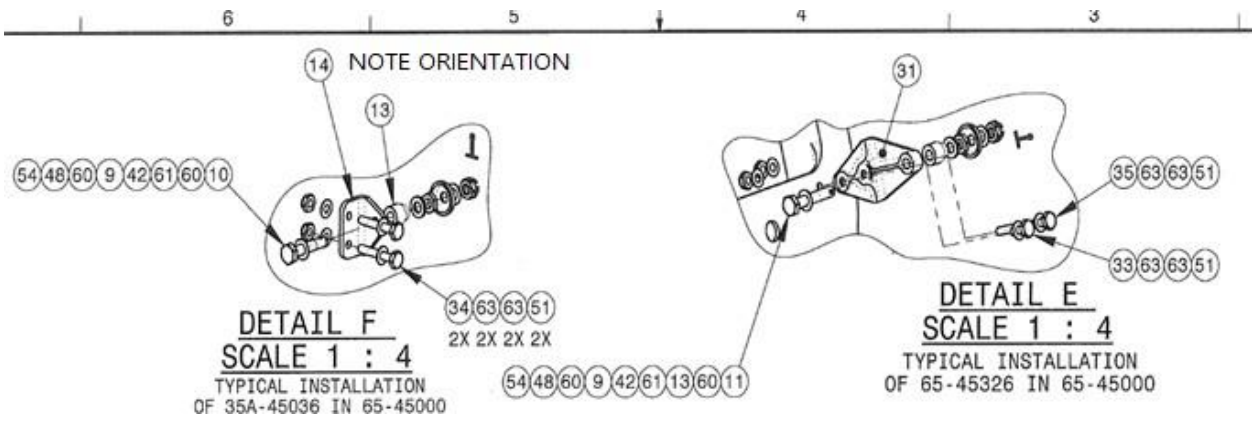


# SERVICE LETTER SL54 65-45000 REV A

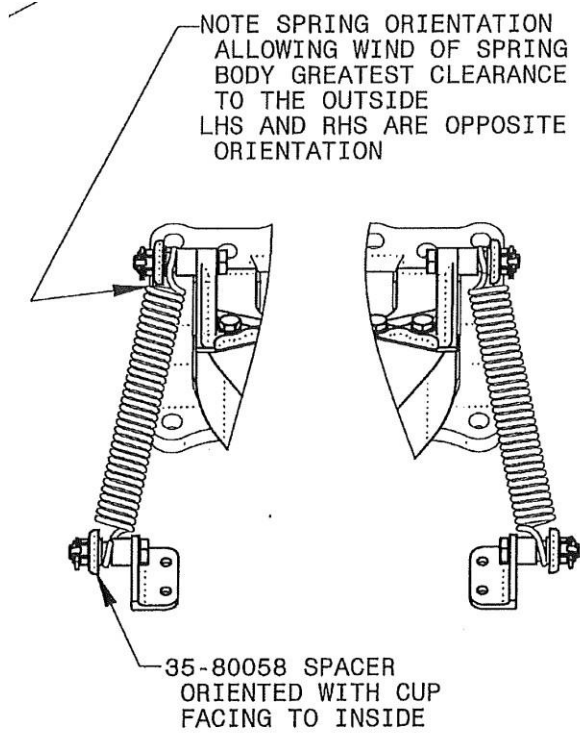
1. **Release Date:** 05/24/2022
2. **Service Letter No.:** SL54 65-45000
3. **Subject:** Main Gear Lower Spring Attach Bracket
4. **Part/Assembly No.:** 65-45000
5. **Float Model Affected:** 6650 on Daher KODIAK 100 AMPHIBIAN  
6650 Model Floats, Serial Numbers – 182-183 and previous
6. **Compliance:**  **Mandatory**  **Recommended**  **Optional**
7. **Approval:** All information provided is in accordance with approved data.
8. **Corrective Action:** Non-required.
9. **Estimated Time Required:** 10 hours (RHS and LHS)
10. **Payments:**  Credit to Customer  Under Warranty  Customer Pays

Aerocet has rearranged the lower spring attach brackets for improved clearance and spring alignment. The new lower spring brackets have a ¼" greater offset from the bulkhead and are positioned to match the existing spring extension in the deployed condition. The new spring bushings are installed opposite of the old bushings on the upper spring bracket to improve spring alignment.



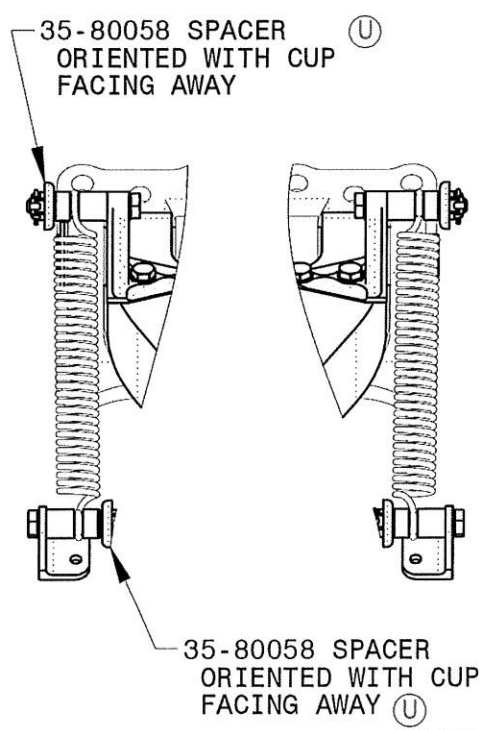
Bolts were 35-80060, ARE AN4C...  
 Lower bracket fastener orientation reversed.  
 35-80058 SPACER orientation reversed in all positions.

VIEWS OF EXTENSION SPRINGS INSTALLED WAS:



VIEWS OF EXTENSION SPRINGS INSTALLED

VIEWS OF EXTENSION SPRINGS INSTALLED IS:



PARTS KIT					
ITEM NO.	QTY LHS	QTY RHS	TYPE	PART NUMBER	DESCRIPTION
21	1	1	PART	65-45045-L	LOWER SPRING BRACKET, LHS
22	1	1	PART	65-45045-R	LOWER SPRING BRACKET, RHS
53	4	4	HRDWR	MS24665-153	Cotter Pin
47	4	4	HRDWR	MS17825-4	Nut, Self-Locking, Castellated, Non-Metallic
61	4	4	HRDWR	NAS1149CO463R	Washer
9	4	4	PART	35-80058	Spacer, Extension Spring
60	4	4	HRDWR	NAS1149CO432R	Washer
59	4	4	HRDWR	NAS1149CO416R	Washer
24	4	4	PART	65-45057	SPRING BUSHING (4 PLACES)
35	2	2	HRDWR	AN4C14	BOLT, MACHINE, AIRCRAFT, STAINLES (CRES)
36	2	2	HRDWR	AN4C16	BOLT, MACHINE, AIRCRAFT, STAINLES (CRES)
11	2	2	HRDWR	35A-45095	Extension Spring

## Revisions

Rev	Date	Page	Summary of Change	Authorized by
I/R	01/20/2022	All	Initial issue	LM
A	05/24/2022	4	<ul style="list-style-type: none"> <li>• Changed Quantity of Item #21 LHS to 1 instead of 2</li> <li>• Changed Quantity of Item #21 RHS to 1 instead of 0</li> <li>• Changed Quantity of Item #22 LHS to 1 instead of 0</li> <li>• Changed Quantity of Item #22 RHS to 1 instead of 2</li> </ul>	LM