



Service Letter #: SL17-35A-42600

Initial Release Date: October 14, 2016

Assembly/Part #: 35A-42600/35A-42601, 35A-42602

Float Model Affected: 3400 Float Serials: (New) 546 – 547 and following;
(Existing) 544 – 545 and previous.

Disposition of Product in Field: Installation is optional. Parts are available to order by contacting our Parts Department (208) 448-0400.

Approval: All information provided is in accordance with approved data.

Affected: Upper and lower splash guards (2 per float set)

Symptom: Over pressure on seal, and non-inspection per maintenance procedures, may allow excessive water ingress into forward most float compartment.

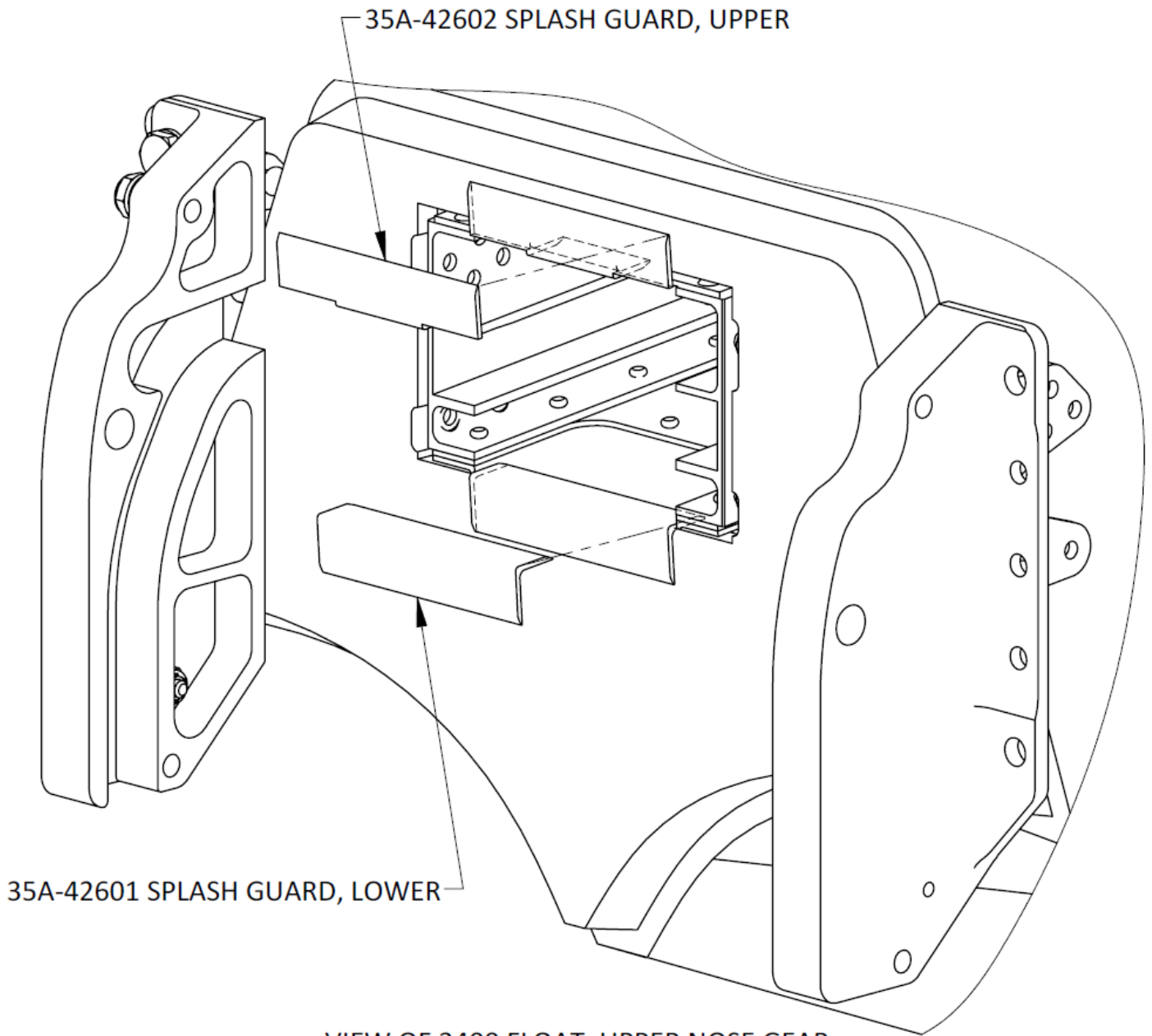
Time Required: One hour for mechanical change plus 24 hours to allow Sika flex to cure.

Description of Change:

Add a bonded, extruded angle above and below the interface between the slide box assembly and float nose as follows with these parts:

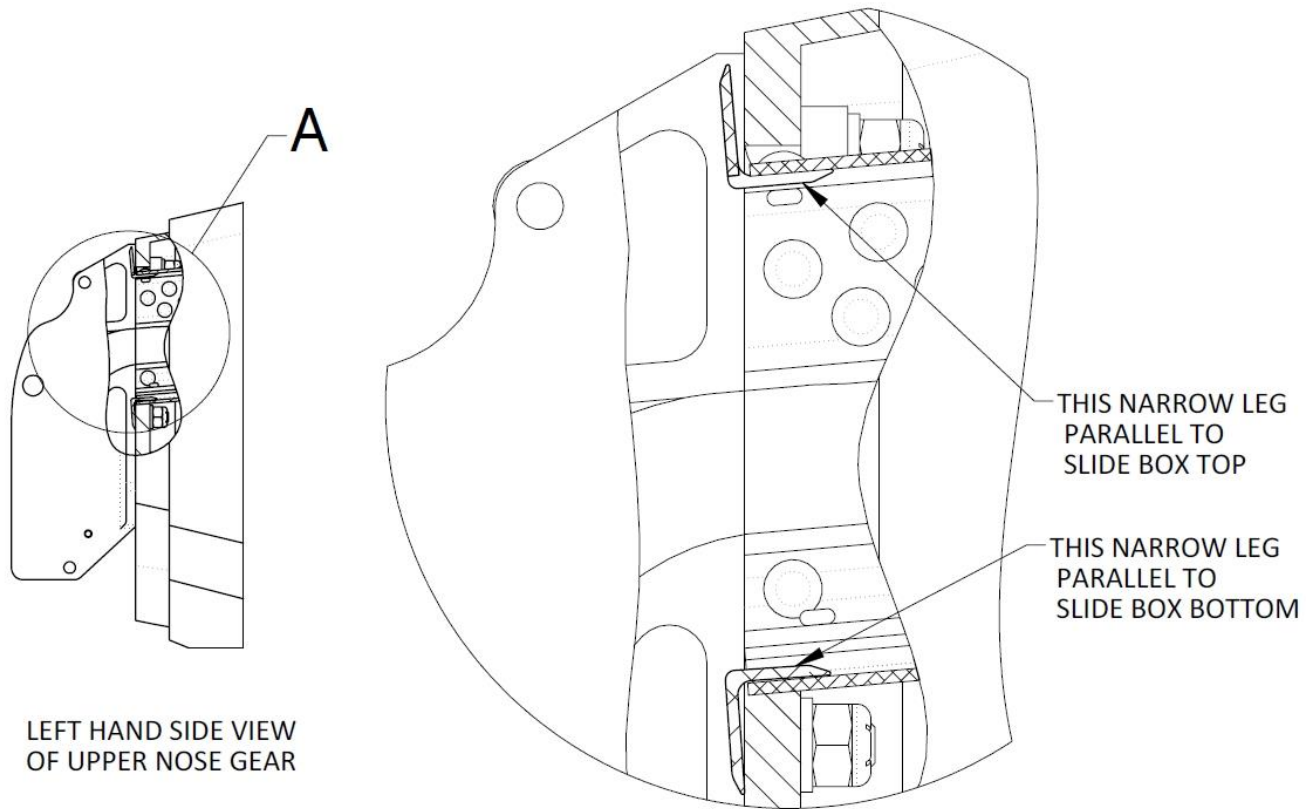
Parts List for Replacement Kit				
Item No.	Quantity	Type	Part No.	Description
1	2	Part	35A-42601	Splash Guard, Lower
2	2	Part	35A-42602	Splash Guard, Upper
3	1	Adhesive	Sika-Flex 292	Sika-flex or Urethane adhesive sealant equivalent

1. Bond Upper Splash guard to front of the float and the slide box top as shown below with Sika-flex 292 or equivalent urethane adhesive sealant to insure a leak free seal between nose gear box and float end. Note orientation of the narrow leg.



VIEW OF 3400 FLOAT, UPPER NOSE GEAR
PARTIALLY EXPLODED, SHOWING SPLASH GUARD INSTALLATION

2. Bond Lower Splash guard to front of the float and the slide box bottom with Sika-flex 292 or equivalent urethane adhesive sealant to insure a leak free seal between nose gear box and float end. Note orientation of the narrow leg.
3. Install upper splash guard with narrow leg parallel to slide box top.



LEFT HAND SIDE VIEW
OF UPPER NOSE GEAR

REVISION RECORD

Rev	Date	Summary of Change	Authorized by
I/R	10/14/2016	Initial Release	LM
A	10/19/2016	Added release date	LM
B	03/21/2020	Added Revision Record	LM

-END-