



Service Letter #: SL16-65-42600

Initial Release Date: October 14, 2016

Assembly/Part #: 65-42600/65-42601, 65-42602

Float Model Affected: 6650 Float Serials: (New) 148 – 149 and following;
(Existing) 146 – 147 and previous.

Disposition of Product in Field: Installation is optional. Parts are available to order by contacting our Parts Department (208) 448-0400.

Approval: All information provided is in accordance with approved data.

Affected: Upper and lower splash guards (2 per float set)

Symptom: Over pressure on seal, and non-inspection per maintenance procedures, may allow excessive water ingress into forward most float compartment.

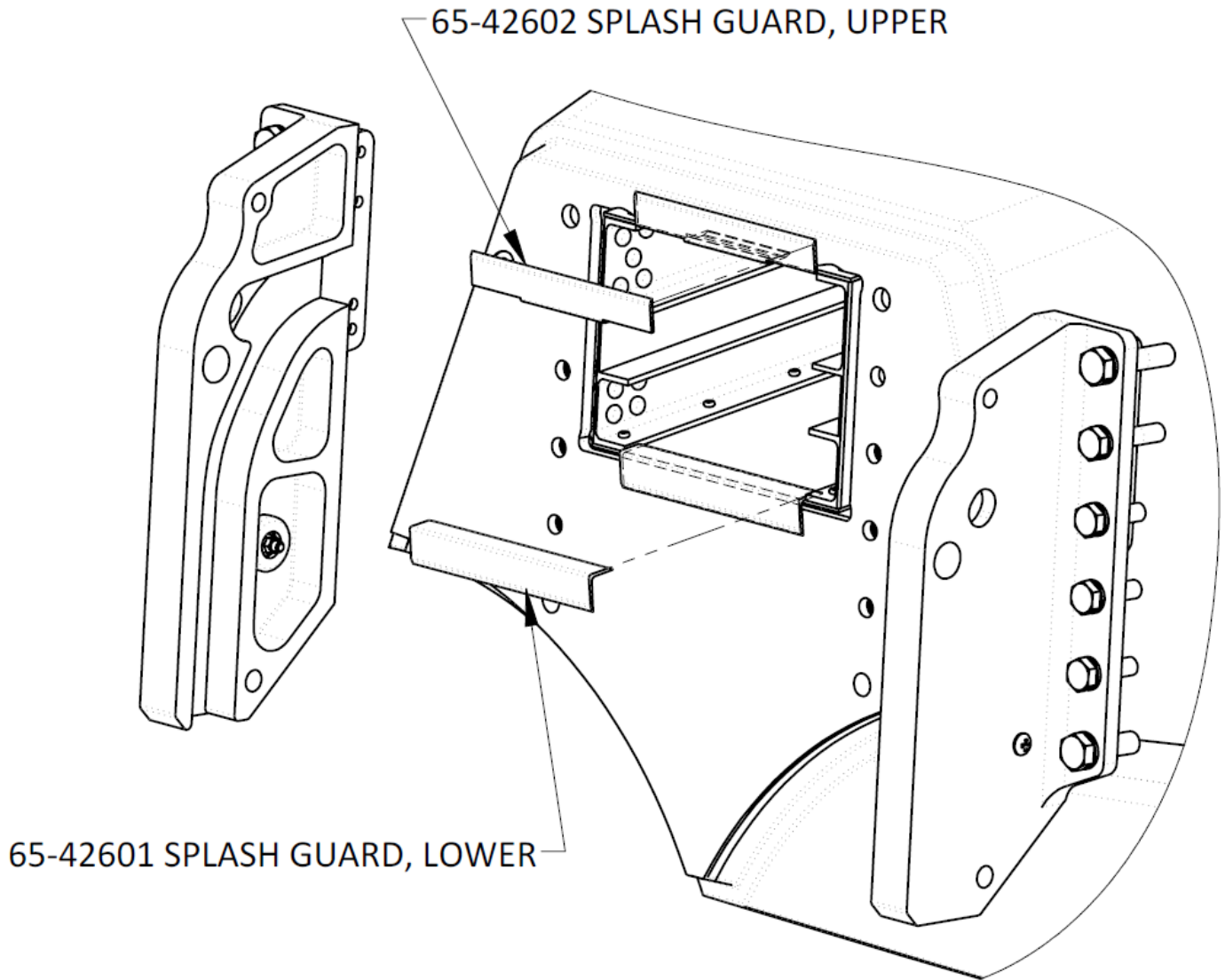
Time Required: One hour for mechanical change and 24 hours to allow Sika-flex to cure.

Description of Change:

Add a bonded, extruded angle above and below the interface between the slide box assembly and float nose as follows with these parts:

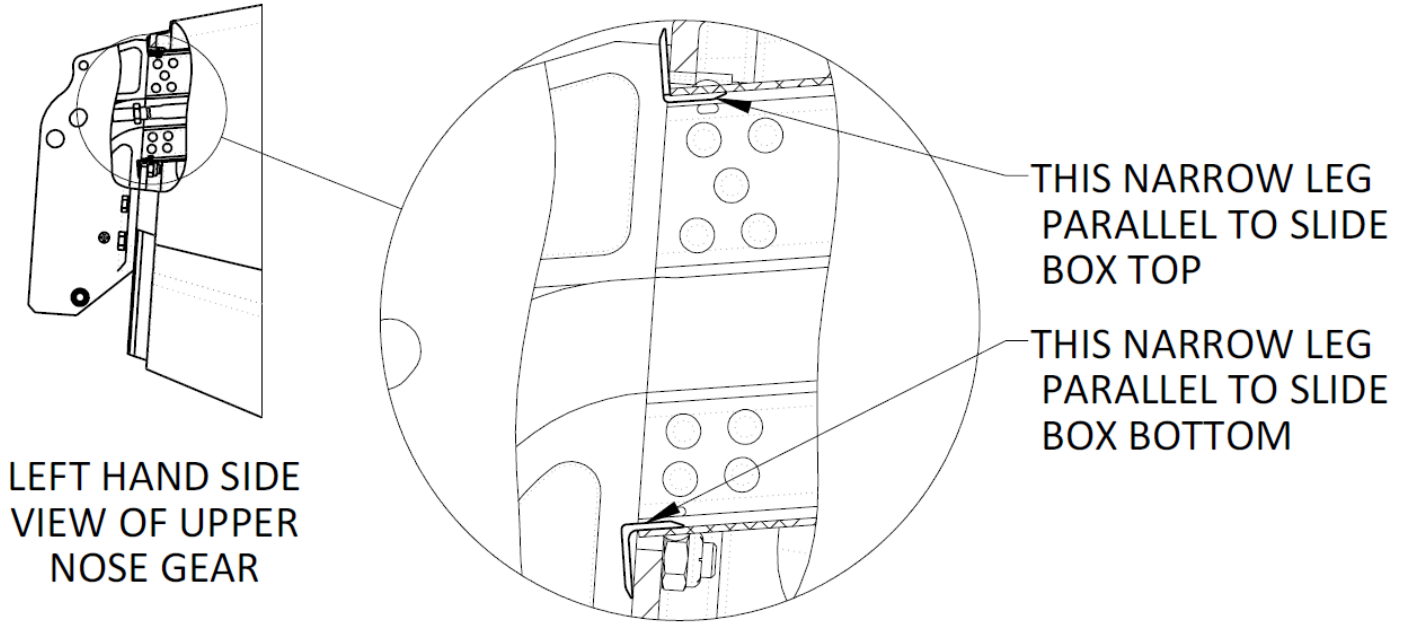
Parts List for Replacement Kit				
Item No.	Quantity	Type	Part No.	Description
1	2	Part	65-42601	Splash Guard, Lower
2	2	Part	65-42602	Splash Guard, Upper
3	1	Adhesive	Sika-Flex 292	Sika-flex or Urethane adhesive sealant equivalent

1. Bond Upper Splash guard to front of the float and the slide box top as shown below with Sika-flex 292 or equivalent urethane adhesive sealant to insure a leak free seal between nose gear box and float end. Note orientation of the narrow leg.



VIEW OF 6650 FLOAT, UPPER NOSE GEAR
PARTIALLY EXPLODED, SHOWING SPLASH GUARD INSTALLATION

- Bond Lower Splash guard to front of the float and the slide box bottom with Sika-flex 292 or equivalent urethane adhesive sealant to insure a leak free seal between nose gear box and float end. Note orientation of the narrow leg.



- Install upper splash guard with narrow leg parallel to slide box top.

REVISION RECORD

Rev	Date	Summary of Change	Authorized by
I/R	10/14/2016	Initial Release	LM
A	10/17/2016	Added Release Date	LM
B	03/21/2020	Added Revision Record	LM

-END-