


Experimental Only

CUSTOMER PARTS LIST (CPL) FOR AEROCET MODEL 1500 AMPHIBIOUS FLOATS

INSTRUCTIONS FOR USE:

- 1) 15-CPL-COVER IS THE FIRST OF A NUMBER OF AEROCET ISSUED CATALOG PAGES THAT ARE COMPILED IN A .PDF FILE NAMED "1500 CPL ENTIRE". THESE DOCUMENTS ARE PROVIDED AS REFERENCES IN AEROCET MAINTENANCE MANUAL A-10066.
- 2) 15-CPL-COVER SHALL RECORD REVISIONS, ADDITIONS AND SUBTRACTIONS TO ANY OF THE APPLICABLE DOCUMENTATION LISTED.

INTERNAL USE ONLY: THE REVISION OF THIS COVER DOCUMENT SHALL MATCH THE REVISION OF 1500 CPL ENTIRE.PDF OR EQUIVALENT FILE.

<p>AEROCET, INC. RESERVES THE RIGHT TO CANCEL, ADD OR CHANGE PARTS SHOWN IN THIS FIGURE WITHOUT NOTICE.</p>		
	<p>CUSTOMER PARTS LIST, TITLE, REV AND INDEX</p>	
	<p>FILE NO. 15-CPL-COVER</p>	<p>REV. P01</p>
	<p>CAD MODEL SERVICE MANUAL ILLUSTRATION/15-CPL-COVER</p>	<p>SHEET 1 OF 3</p>

REVISION RECORD

REVISION	DATE	DESCRIPTION	BY
00	1/25/2016	INITIAL RELEASE	DJM
01	2/1/2016	ADDED 35-80027 PUMP-OUT PLUG TO 15-CPL-21300	DJM
02	2/11/2016	ADDED DWG # 15-CPL-45015, & 15-CPL-42020 TO PACKAGE	DJM
03	2/21/2017	Updated 15-CPL-42000 & 15-CPL-45000	DjM

AEROCET, INC. RESERVES THE RIGHT TO CANCEL, ADD OR CHANGE PARTS SHOWN IN THIS FIGURE WITHOUT NOTICE.



CUSTOMER PARTS LIST,
TITLE, REV AND INDEX

FILE NO. **15-CPL-COVER** REV. P01

CAD MODEL SERVICE MANUAL ILLUSTRATION/15-CPL-COVER SHEET 2 OF 3

THE INFORMATION CONTAINED IN THIS DRAWING IS THE SOLE PROPERTY OF AEROCET, INC. ANY REPRODUCTION IN WHOLE OR IN PART WITHOUT THE WRITTEN PERMISSION OF AEROCET, INC. IS PROHIBITED.

DRAWING NUMBER	REVISION	DESCRIPTION	Changed
15-CPL-20010	00	MODEL 1500 SPREADER BAR INSTALLATION	
15-CPL-21007	00	MODEL 1500 CHINE STRIP INSTALLATION	
15-CPL-21040	00	MODEL 1500 BUMPER INSTALLATION	
15-CPL-21060	00	MODEL 1500 CHLEAT INSTALLTION	
15-CPL-21100	00	MODEL 1500 SPREADER STUB INSTALLATION	
15-CPL-21200	00	MODEL 1500 LOCKER BAY INSTALLATION	
15-CPL-21300	01	MODEL 1500 ACCESS PANEL & PU,P OUT INSTALLATION	
15-CPL-21800	00	MODEL 1500 KEEL STRIP INSTALLATION	
15-CPL-23000	00	MODEL 1500 ANTI-SKID INSTALLATION	
15-CPL-24001	00	MODEL 1500 RUDDER ASSEMBLY AND INSTALLATION	
15-CPL-42000	01	MODEL 1500 NOSE GEAR ASSEMBLY	
15-CPL-42020	00	MODLE 1500 TENSIONER ASSEMBLY, NOSE GEAR	
15-CPL-42100	00	MODEL 1500 LOWER NOSE GEAR ASSEMBLY	
15-CPL-42300	00	MODEL 1500 ACTUATOR ASSEMBLY NOSE GEAR	
15-CPL-42400	00	MODEL 1500 OLEO ASSEMBLY, NOSE GEAR	
15-CPL-45000	01	MODEL 1500 MAIN GEAR ASSEMBLY AND INSTALLATION	
15-CPL-45015	00	MODEL 1500 BUSHING, TENSIONER ASSEMBLY, MAIN GEAR ASSEMBLY	
15-CPL-45100	00	MODEL 1500 LOWER MAIN GEAR ASSEMBLY	
15-CPL-45200	00	MODEL 1500 OLEO ASSEMBLY, MAIN GEAR	
15-CPL-45400	00	MODEL 1500 ACTUATOR ASSEMBLY , MAIN GEAR	
15-CPL-51040	00	MODLE 1500 FLOAT WHEEL ASSEMBLY, NOSE GEAR	
15-CPL-51070	00	MODEL 1500 FLOAT WHEEL ASSEMBLY, MAIN GEAR	

AEROCET, INC. RESERVES THE RIGHT TO CANCEL, ADD OR CHANGE PARTS SHOWN IN THIS FIGURE WITHOUT NOTICE.

AEROCET
INCORPORATED

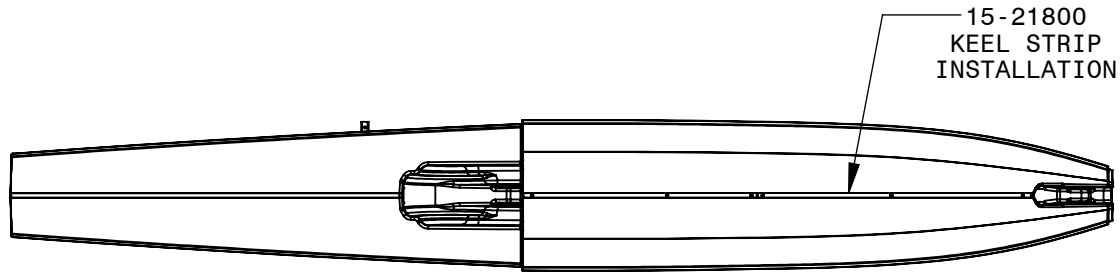
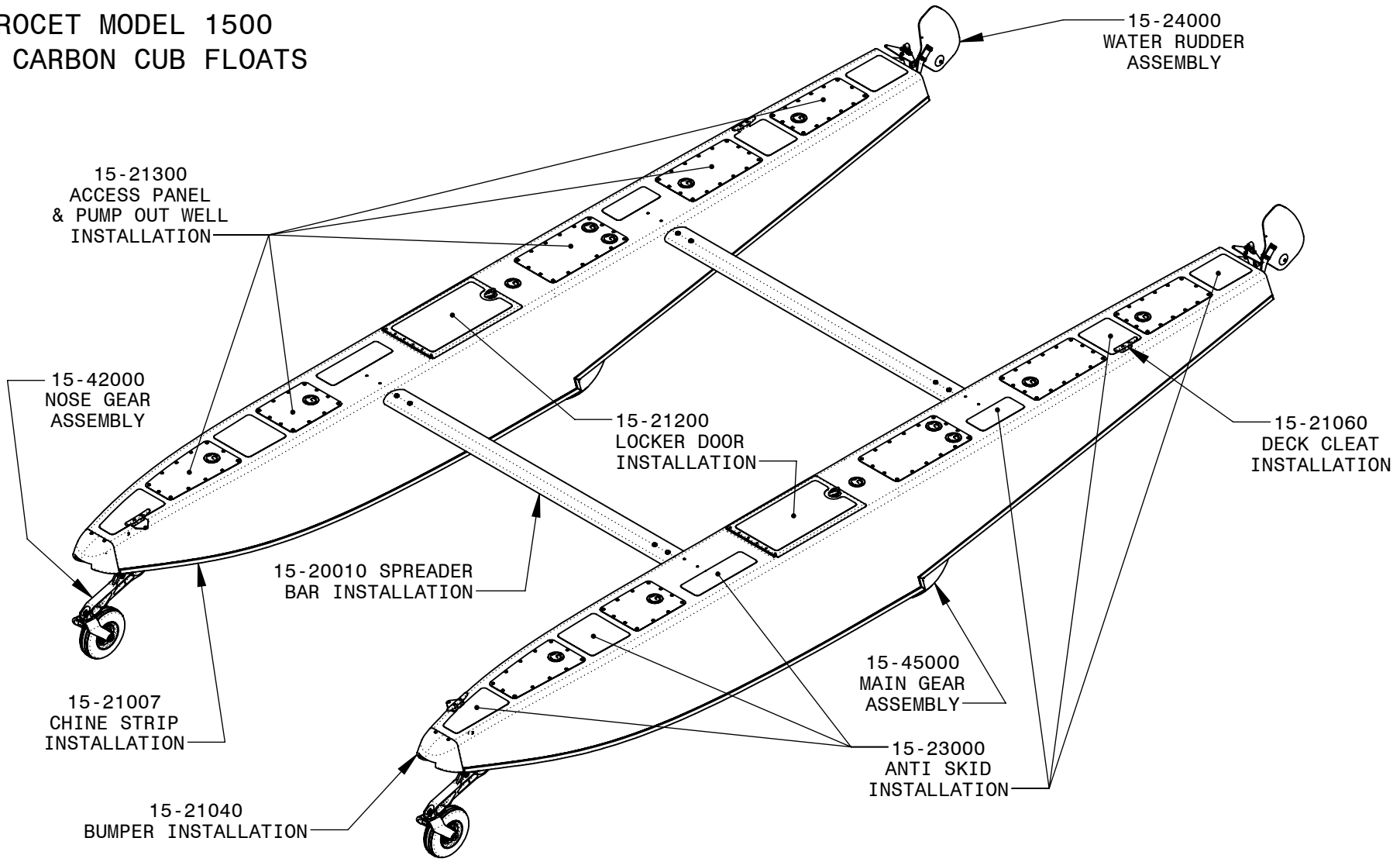
CUSTOMER PARTS LIST,
TITLE, REV AND INDEX

FILE NO.	15 - CPL - COVER	REV.	P01
CAD MODEL	SERVICE MANUAL ILLUSTRATION/15-CPL-COVER		

SHEET 3 OF 3

THE INFORMATION CONTAINED IN THIS DRAWING IS THE SOLE PROPERTY OF AEROCET, INC. ANY REPRODUCTION IN WHOLE OR IN PART WITHOUT THE WRITTEN PERMISSION OF AEROCET, INC. IS PROHIBITED.

AEROCET MODEL 1500 TWIN CARBON CUB FLOATS



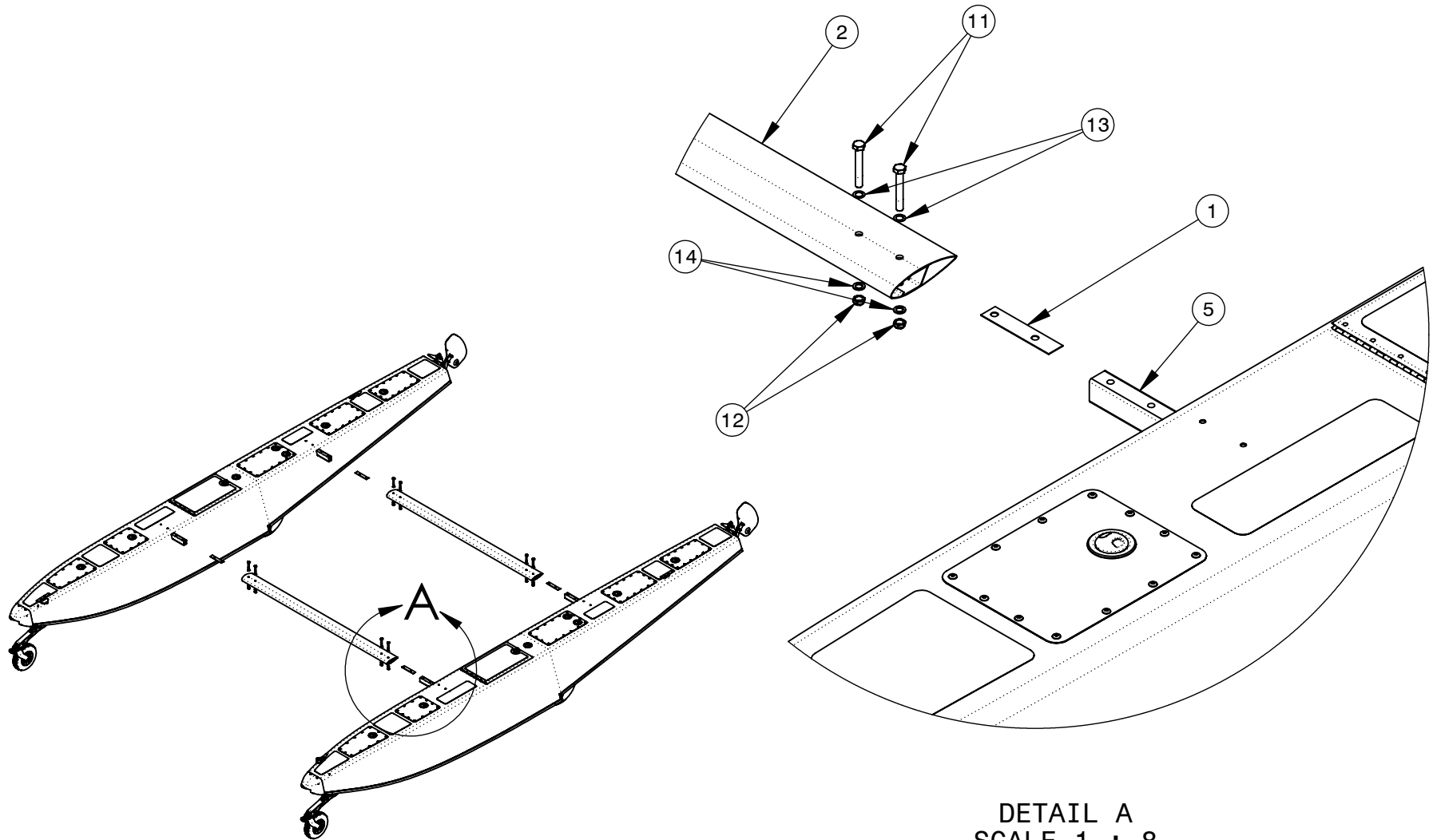
AEROCET, INC. RESERVES THE RIGHT TO CANCEL, ADD OR CHANGE PARTS SHOWN IN THIS FIGURE WITHOUT NOTICE.



CUSTOMER PARTS LIST MODEL 1500 SPREADER BAR INSTALLATION

FILE NO.	15-CPL-20010	REV.	0
CAD MODEL	15-20010-N	SERVICE MANUAL ILLUSTRATION/15-CPL-20010	

THE INFORMATION CONTAINED IN THIS DRAWING IS THE SOLE PROPERTY OF AEROCET, INC. ANY REPRODUCTION IN WHOLE OR IN PART WITHOUT THE WRITTEN PERMISSION OF AEROCET, INC. IS PROHIBITED.



DETAIL A
SCALE 1 : 8

<p>AEROCET, INC. RESERVES THE RIGHT TO CANCEL, ADD OR CHANGE PARTS SHOWN IN THIS FIGURE WITHOUT NOTICE.</p>			
	<p>CUSTOMER PARTS LIST MODEL 1500 SPREADER BAR INSTALLATION</p>		
	FILE NO.	15-CPL-20010	REV. 0
	CAD MODEL	15-20010-N	
	SERVICE MANUAL ILLUSTRATION/15-CPL-20010		SHEET 2 OF 3

THE INFORMATION CONTAINED IN THIS DRAWING IS THE SOLE PROPERTY OF AEROCET, INC. ANY REPRODUCTION IN WHOLE OR IN PART WITHOUT THE WRITTEN PERMISSION OF AEROCET, INC. IS PROHIBITED.

PARTS LIST FOR 15-20010 SPREADER BAR INSTALLATION

ITEM NO.	QTY	TYPE	PART NUMBER	DESCRIPTION
1	4	PART	15-20012-40	SHIM, SPREADER BAR
2	2	PART	15-20015	SPREADER BAR, 1500 SERIES FLOATS
3	1	ASSY	15-21040	BUMPER INSTALLATION
4	1	ASSY	15-21060-L	DECK CLEAT INSTALLATION, LHS
5	1	ASSY	15-21100-L	SPREADER STUB INSTALLATION
6	1	ASSY	15-23000-L	ANTI-SKID INSTALLATION
7	1	ASSY	15-24000-L	WATER RUDER ASSEMBLY, LHS
8	1	ASSY	15-40000-R	FLOAT ASSEMBLY, RHS, AEROCET MODEL 1500 FLOATS
9	1	ASSY	15-42000	NOSE GEAR ASSEMBLY AND INSTALLATION
10	1	ASSY	15-45000	MAIN GEAR ASSEMBLY AND INSTALLATION
11	8	HRDWR	AN6-23A	BOLT - MACHINE, AIRCRAFT
12	8	HRDWR	MS21083N6	NUT, SELF LOCKING, LOW HEIGHT
13	8	HRDWR	NAS1149D0616K	WASHER, FLAT
14	8	HRDWR	NAS1149D0663K	WASHER, FLAT

AEROCET, INC. RESERVES THE RIGHT TO CANCEL, ADD OR CHANGE PARTS SHOWN IN THIS FIGURE WITHOUT NOTICE.

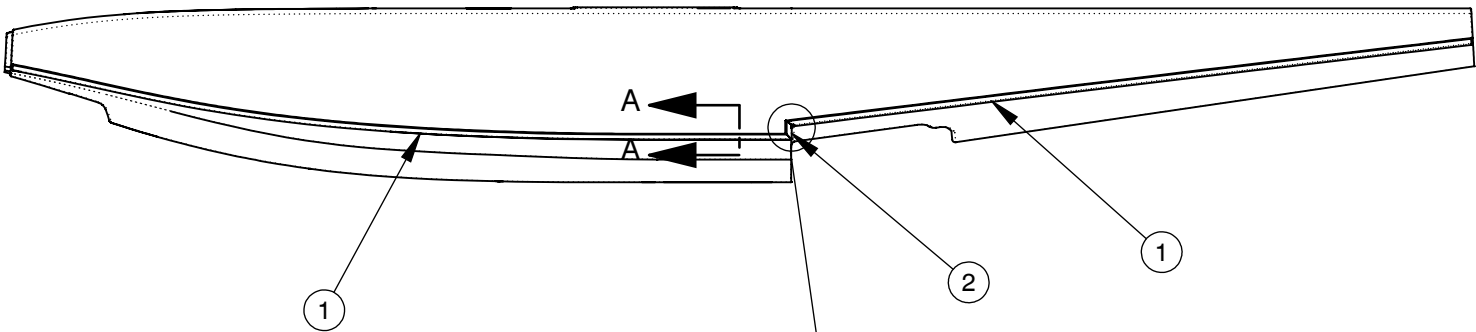


CUSTOMER PARTS LIST
MODEL 1500 SPREADER
BAR INSTALLATION

FILE NO. **15-CPL-20010** REV. **0**

CAD MODEL SERVICE MANUAL ILLUSTRATION/15-CPL-20010 SHEET 3 OF 3

THE INFORMATION CONTAINED IN THIS DRAWING IS THE SOLE PROPERTY OF AEROCET, INC. ANY REPRODUCTION IN WHOLE OR IN PART WITHOUT THE WRITTEN PERMISSION OF AEROCET, INC. IS PROHIBITED.



DETAIL OF STEP AREA

LEFT SIDE VIEW

REAR VIEW

(35-34051 REAR CHINE RUB STRIP)
FITTED AS SHOWN

CLEARANCE
CUT FOR
STEP RADIUS

(35-34050 FORWARD CHINE RUB STRIP)
FITTED AS SHOWN

DETAIL OF STEP AREA
INSTALLATION

AEROCET, INC. RESERVES THE RIGHT TO CANCEL, ADD OR CHANGE PARTS SHOWN IN THIS FIGURE WITHOUT NOTICE.	

AEROCET INCORPORATED	
CUSTOMER PARTS LIST MODEL 1500 FLOAT CHINE STRIP INSTALLATION	
FILE NO.	15-CPL-21007
	REV. 0
CAD MODEL	56-10170-DTL B-N
SERVICE MANUAL ILLUSTRATION/15-CPL-21007	
SHEET 1 OF 2	

THE INFORMATION CONTAINED IN THIS DRAWING IS THE SOLE PROPERTY OF
 AEROCET, INC. ANY REPRODUCTION IN WHOLE OR IN PART WITHOUT THE WRITTEN
 PERMISSION OF AEROCET, INC. IS PROHIBITED.

PARTS LIST FOR 15-21007 CHINE STRIP INSTALLATION

ITEM NO.	QTY	TYPE	PART NUMBER	DESCRIPTION
1	1	ASSY	35-34050	FORWARD CHINE RUB STRIP
2	1	ASSY	35-34051	AFT CHINE RUB STRIP

AEROCET, INC. RESERVES THE RIGHT
 TO CANCEL, ADD OR CHANGE PARTS
 SHOWN IN THIS FIGURE WITHOUT
 NOTICE.

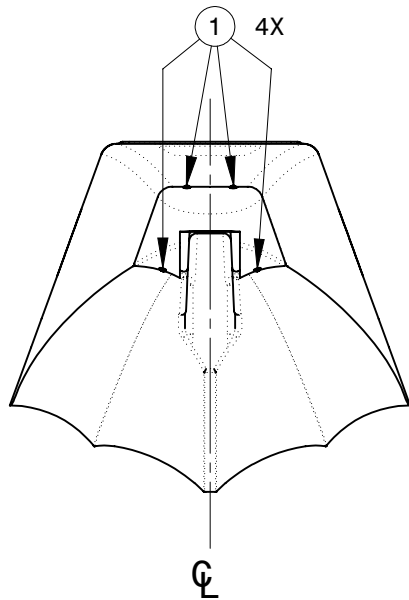


CUSTOMER PARTS LIST
 MODEL 1500 FLOAT CHINE
 STRIP INSTALLATION

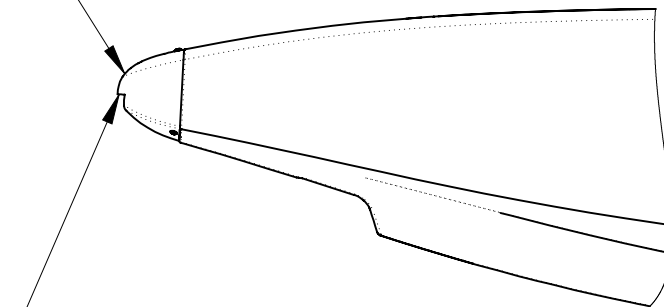
FILE NO. **15-CPL-21007** REV. **0**

CAD MODEL 56-10170-DTL B-N
 SERVICE MANUAL ILLUSTRATION/15-CPL-21007 SHEET 2 OF 2

THE INFORMATION CONTAINED IN THIS DRAWING IS THE SOLE PROPERTY OF AEROCET, INC. ANY REPRODUCTION IN WHOLE OR IN PART WITHOUT THE WRITTEN PERMISSION OF AEROCET, INC. IS PROHIBITED.



2



AEROCET, INC. RESERVES THE RIGHT TO CANCEL, ADD OR CHANGE PARTS SHOWN IN THIS FIGURE WITHOUT NOTICE.



CUSTOMER PARTS LIST
MODEL 1500 FLOAT
BUMPER INSTALLATION

FILE NO. 15-CPL-21040 REV. 0

CAD MODEL 15-21040-N
SERVICE MANUAL ILLUSTRATION/15-CPL-21040 SHEET 1 OF 2

THE INFORMATION CONTAINED IN THIS DRAWING IS THE SOLE PROPERTY OF
 AEROCET, INC. ANY REPRODUCTION IN WHOLE OR IN PART WITHOUT THE WRITTEN
 PERMISSION OF AEROCET, INC. IS PROHIBITED.

PARTS LIST FOR 15-21040 BUMPER INSTALLATION

ITEM NO.	QTY	TYPE	PART NUMBER	DESCRIPTION
1	4	HRDWR	10R X 3/4 TAS	SHT MTL SCREW, STAINLESS, TRUSS HEAD
2	1	PART	15-21041	BUMPER
3	1	HRDWR	4475	3M SCOTCH 4475 ADHESIVE

AEROCET, INC. RESERVES THE RIGHT
 TO CANCEL, ADD OR CHANGE PARTS
 SHOWN IN THIS FIGURE WITHOUT
 NOTICE.

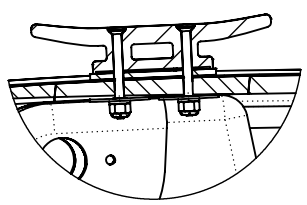
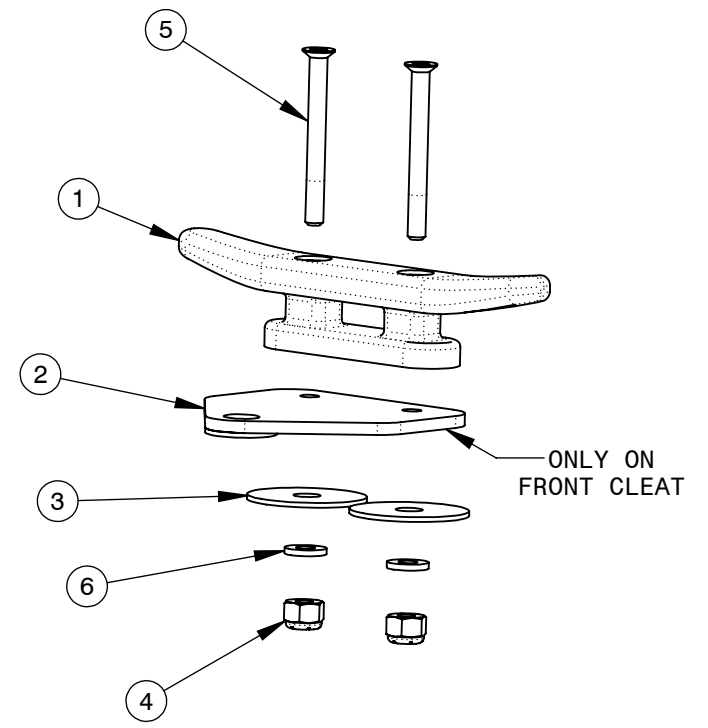
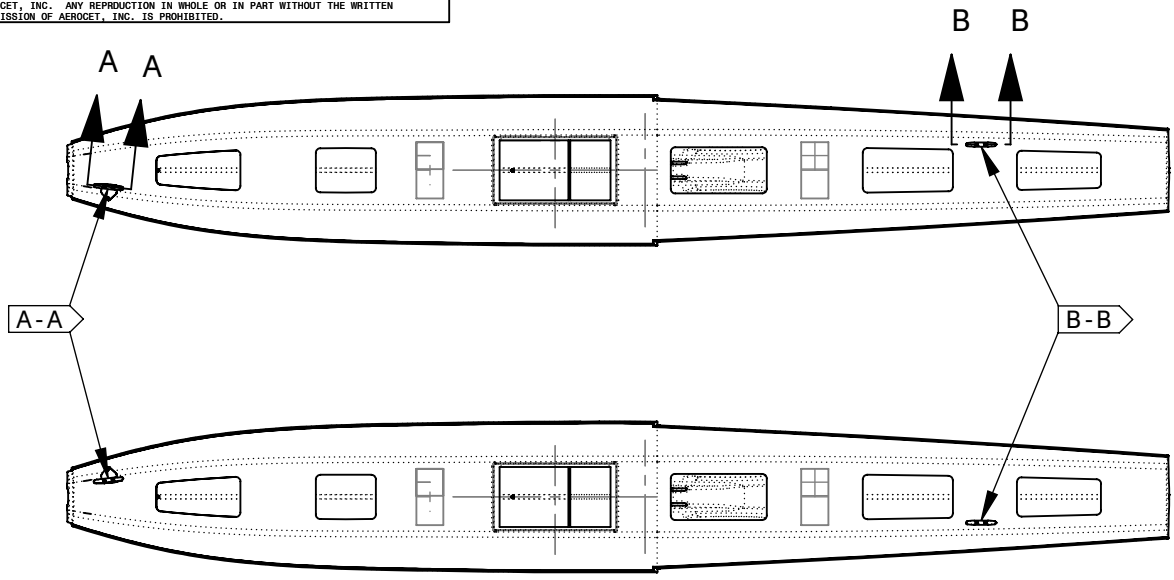


CUSTOMER PARTS LIST
 MODEL 1500 FLOAT
 BUMPER INSTALLATION

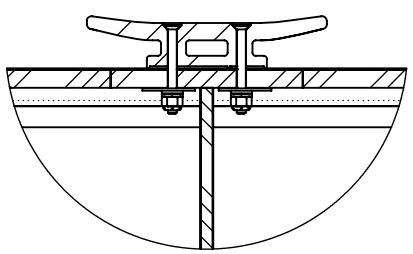
FILE NO. **15-CPL-21040** REV. **0**

CAD MODEL SERVICE MANUAL ILLUSTRATION/15-CPL-21040 SHEET 2 OF 2

THE INFORMATION CONTAINED IN THIS DRAWING IS THE SOLE PROPERTY OF AEROCET, INC. ANY REPRODUCTION IN WHOLE OR IN PART WITHOUT THE WRITTEN PERMISSION OF AEROCET, INC. IS PROHIBITED.



FRONT DECK CLEAT
SECTION A-A
SCALE 1 : 4



REAR DECK CLEAT
SECTION B-B
SCALE 1 : 4

AEROCET, INC. RESERVES THE RIGHT TO CANCEL, ADD OR CHANGE PARTS SHOWN IN THIS FIGURE WITHOUT NOTICE.



CUSTOMER PARTS LIST
MODLE 1500 FLOAT CLEAT
INSTALLATION

FILE NO.	15-CPL-21060	REV.	0
CAD MODEL	15-21060-R-N	SERVICE MANUAL ILLUSTRATION/15-CPL-21060	

THE INFORMATION CONTAINED IN THIS DRAWING IS THE SOLE PROPERTY OF AEROCET, INC. ANY REPRODUCTION IN WHOLE OR IN PART WITHOUT THE WRITTEN PERMISSION OF AEROCET, INC. IS PROHIBITED.

PARTS LIST FOR 15-21060 CLEAT INSTALLATION

ITEM NO.	QTY.	TYPE	PART NUMBER	DESCRIPTION
1	2	PART	22-21061	DECK CLEAT
2	1	ASSY	22-51060	WALKWIRE TAB ASSEMBLY
3	2	PART	35-32251	FENDER WASHER
4	4	HRDWR	MS21044C3	NUT, SELF-LOCKING, REGULAR HEIGHT, STAINLESS
5	4	HRDWR	MS24694C71	MACHINE SCREW, FLAT COUNTERSUNK HEAD, 100°
6	6	HRDWR	NAS1149C0363R	WASHER, FLAT, STAINLESS

AEROCET, INC. RESERVES THE RIGHT TO CANCEL, ADD OR CHANGE PARTS SHOWN IN THIS FIGURE WITHOUT NOTICE.

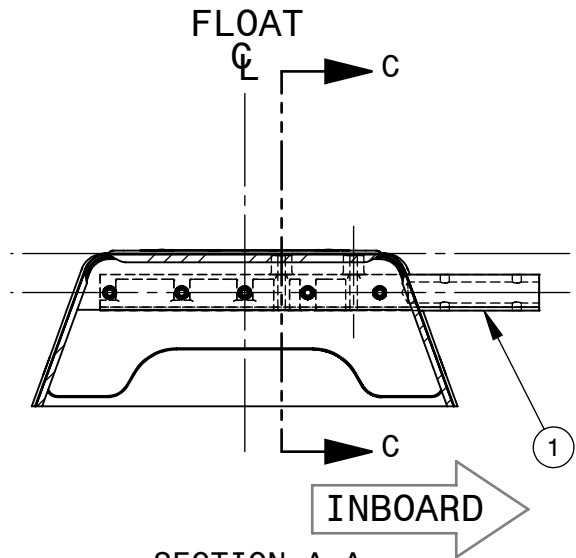
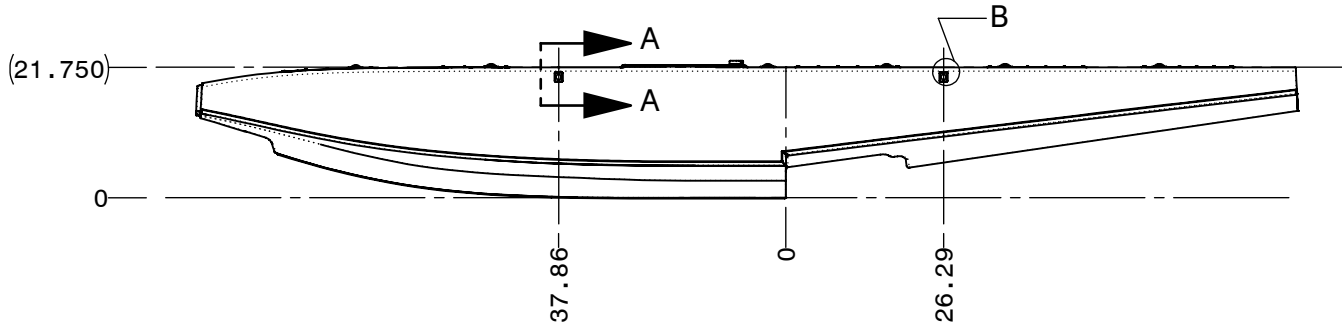


CUSTOMER PARTS LIST
 MODLE 1500 FLOAT CLEAT
 INSTALLATION

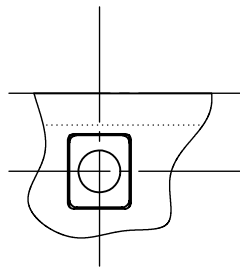
FILE NO. **15-CPL-21060** REV. **0**

CAD MODEL 15-21060-R-N
 SERVICE MANUAL ILLUSTRATION/15-CPL-21060 SHEET 2 OF 2

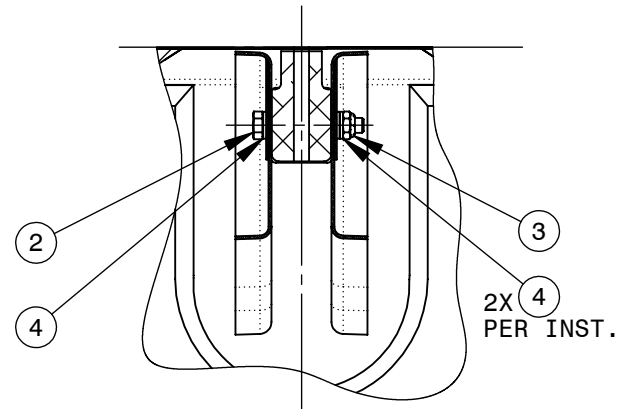
THE INFORMATION CONTAINED IN THIS DRAWING IS THE SOLE PROPERTY OF AEROCET, INC. ANY REPRODUCTION IN WHOLE OR IN PART WITHOUT THE WRITTEN PERMISSION OF AEROCET, INC. IS PROHIBITED.



SECTION A-A
SCALE 1 : 8



DETAIL B
SCALE 1 : 4



SECTION C-C
SCALE 1 : 4

AEROCET, INC. RESERVES THE RIGHT TO CANCEL, ADD OR CHANGE PARTS SHOWN IN THIS FIGURE WITHOUT NOTICE.



CUSTOMER PARTS LIST
MODEL 1500 SPREADER
STUB INSTALLATION

FILE NO.	15-CPL-21100	REV.	0
CAD MODEL	15-21100-R-N	SERVICE MANUAL ILLUSTRATION/15-CPL-21100	

THE INFORMATION CONTAINED IN THIS DRAWING IS THE SOLE PROPERTY OF
 AEROCET, INC. ANY REPRODUCTION IN WHOLE OR IN PART WITHOUT THE WRITTEN
 PERMISSION OF AEROCET, INC. IS PROHIBITED.

PARTS LIST FOR 15-21100 SPREADER STUB INSTALLATION

ITEM NO.	QTY.	TYPE	PART NUMBER	DESCRIPTION
1	2	PART	15-21102	SPREADER STUB
2	10	HRDWR	AN5-20A	BOLT - MACHINE, AIRCRAFT
3	10	HRDWR	MS21083N5	NUT, SELF-LOCKING, LOW HEIGHT
4	30	HRDWR	NAS1149D0563K	WASHER, FLAT

AEROCET, INC. RESERVES THE RIGHT
 TO CANCEL, ADD OR CHANGE PARTS
 SHOWN IN THIS FIGURE WITHOUT
 NOTICE.



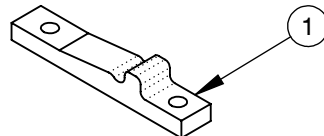
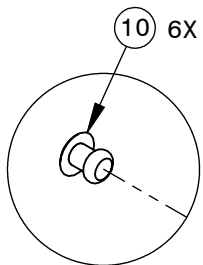
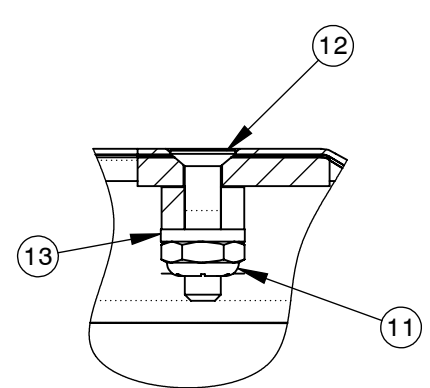
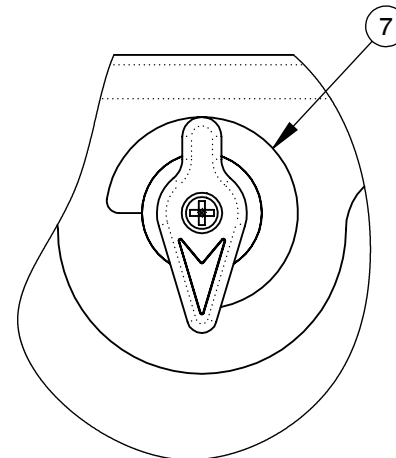
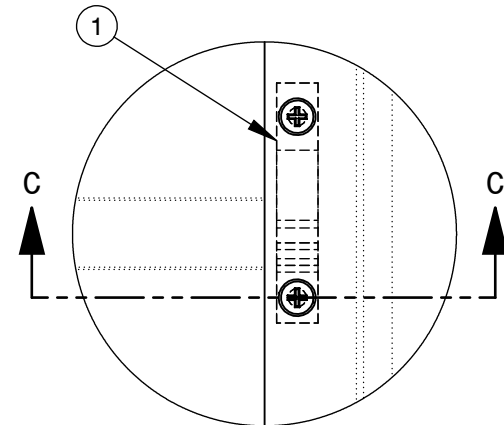
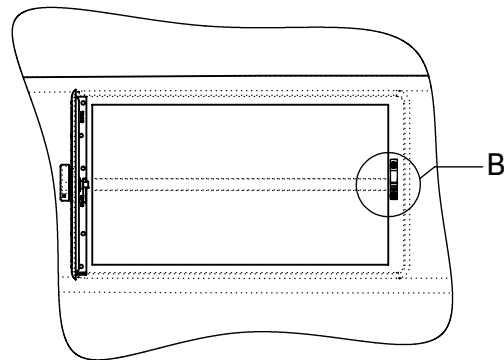
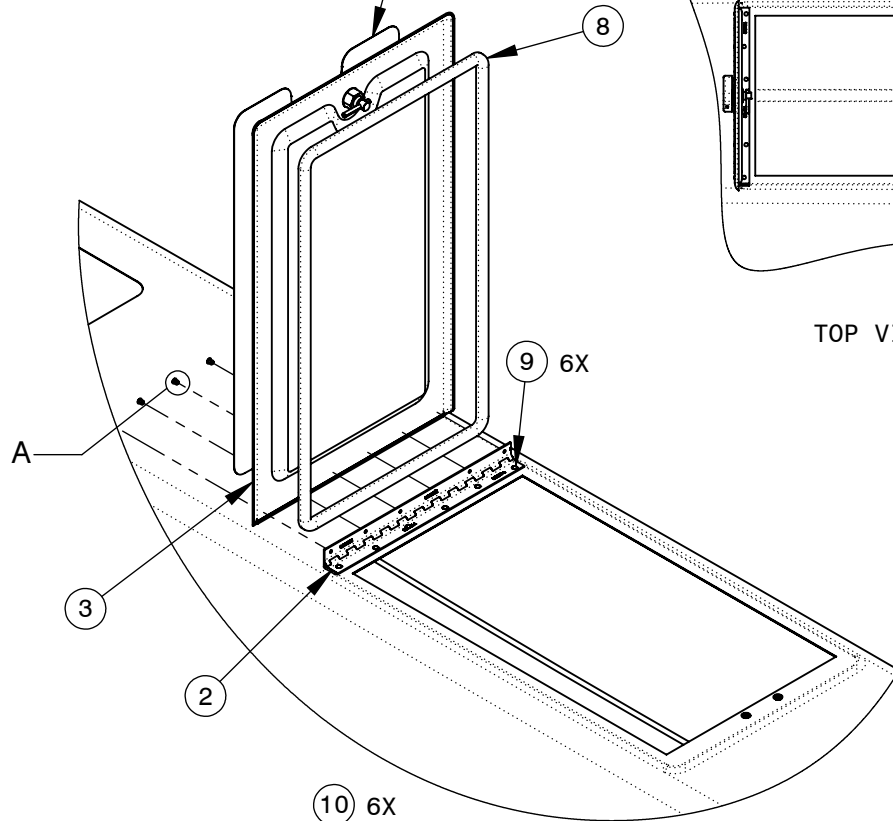
CUSTOMER PARTS LIST
 MODEL 1500 SPREADER
 STUB INSTALLATION

FILE NO. **15-CPL-21100** REV. **0**

CAD MODEL 15-21100-R-N
 SERVICE MANUAL ILLUSTRATION/15-CPL-21100 SHEET 2 OF 2

THE INFORMATION CONTAINED IN THIS DRAWING IS THE SOLE PROPERTY OF AEROCET, INC. ANY REPRODUCTION IN WHOLE OR IN PART WITHOUT THE WRITTEN PERMISSION OF AEROCET, INC. IS PROHIBITED.

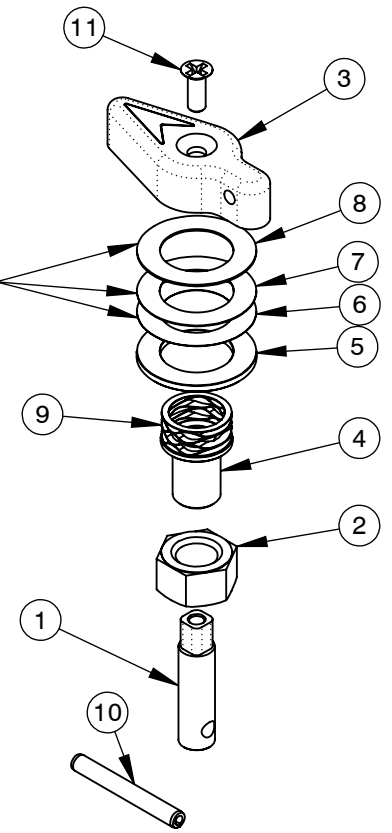
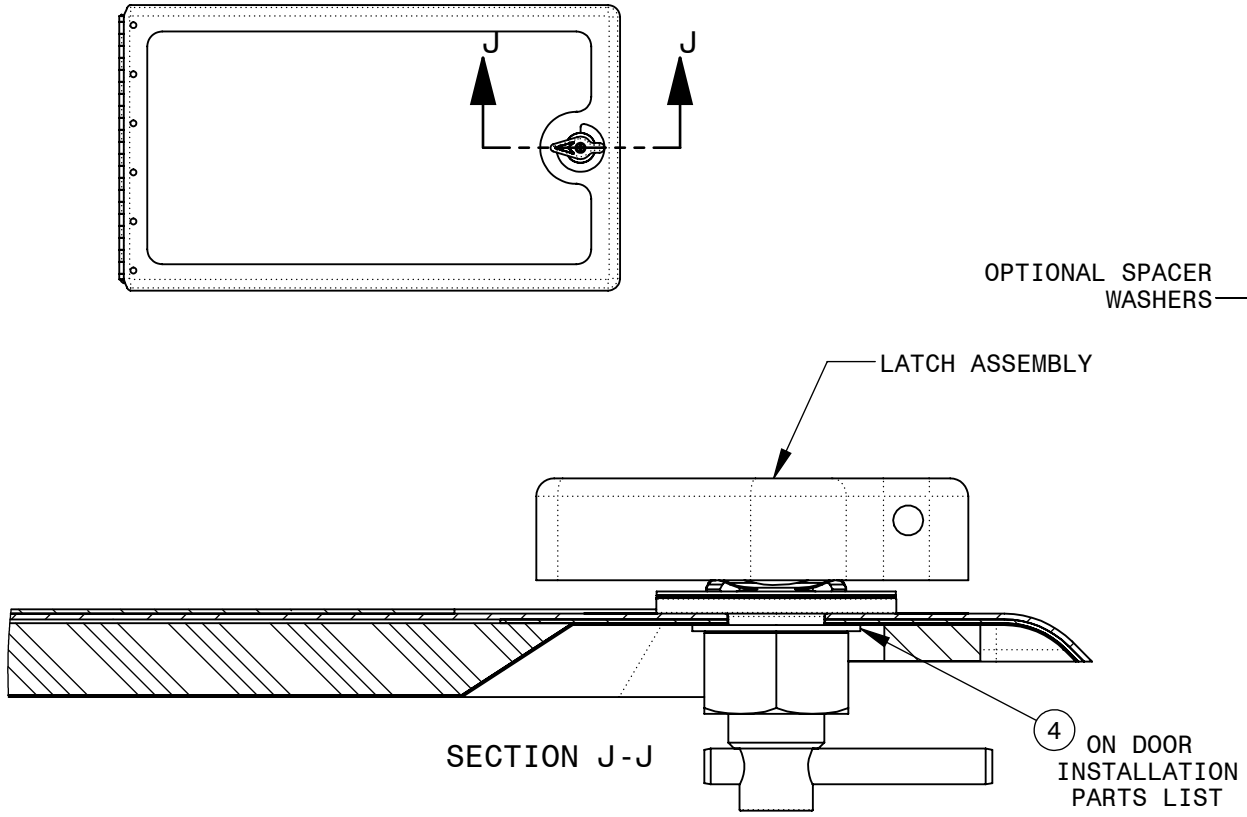
REF 15-23000
ANTI-SKID INSTALLATION



AEROCET, INC. RESERVES THE RIGHT TO CANCEL, ADD OR CHANGE PARTS SHOWN IN THIS FIGURE WITHOUT NOTICE.

AEROCET INCORPORATED	
CUSTOMER PARTS LIST MODEL 1500 FOR LOCKER DOOR INSTALLATION	
FILE NO.	15-CPL-21200
	REV. 0
CAD MODEL	15-21200-2-N
SERVICE MANUAL ILLUSTRATION/15-CPL-21200	

THE INFORMATION CONTAINED IN THIS DRAWING IS THE SOLE PROPERTY OF AEROCET, INC. ANY REPRODUCTION IN WHOLE OR IN PART WITHOUT THE WRITTEN PERMISSION OF AEROCET, INC. IS PROHIBITED.



OPTIONAL SPACER WASHERS

AEROCET, INC. RESERVES THE RIGHT TO CANCEL, ADD OR CHANGE PARTS SHOWN IN THIS FIGURE WITHOUT NOTICE.



CUSTOMER PARTS LIST MODEL 1500 FOR LOCKER DOOR INSTALLATION

FILE NO.	15-CPL-21200	REV.	0
CAD MODEL	15-21200-2-N	SERVICE MANUAL ILLUSTRATION/15-CPL-21200	

THE INFORMATION CONTAINED IN THIS DRAWING IS THE SOLE PROPERTY OF AEROCET, INC. ANY REPRODUCTION IN WHOLE OR IN PART WITHOUT THE WRITTEN PERMISSION OF AEROCET, INC. IS PROHIBITED.

PARTS LIST FOR 35-80030 LATCH ASSEMBLY

ITEM NO.	QTY.	TYPE	PART NUMBER	DESCRIPTION
1	1	PART	10-10037	LATCH POST
2	1	PART	35-80004	NUT, HEX, NYLON, 1/2-20 THREAD
3	1	PART	35-80028	LATCH KNOB
4	1	PART	35-80034	LATCH BUSHING
5	1	PART	35-80038-070	WASHER, PLASTIC
6	1	PART	35-80038-C005	WASHER, SHIMMING, STAINLESS
7	1	PART	35-80038-C010	WASHER, SHIMMING, STAINLESS
8	1	PART	35-80038-C020	WASHER, SHIMMING, STAINLESS
9	1	PART	35-80039	SPRING, COMPRESSION
10	1	HRDWR	MS16562-240	SPRING PIN
11	1	HRDWR	MS24693-C272	MACHINE SCREW, COUNTERSUNK HEAD

PARTS LIST FOR 15-21200 LOCKER DOOR INSTALLATION

ITEM NO.	QTY.	TYPE	PART NUMBER	DESCRIPTION
1	1	PART	10-10051	LATCH RAMP
2	1	ASSY	15-15202	HINGE ASSEMBLY, LOCKER DOOR
3	1	PART	15-21205	LOCKER DOOR, FWD HINGING
4	1	PART	15-22102	WASHER, FLAT, PLASTIC, Ø1/2
6	1	ASSY	35-80030	LATCH ASSEMBLY
7	1	PART	35-80031	PANEL LATCH POSITION PLACARD
8	1	HDWR	35-80041	EPDM FOAM RUBBER SEAL
9	6	HRDWR	MS20426AD4-5	RIVET, COUNTERSUNK (LENGTH A/R)
10	6	HRDWR	MS20470AD4-5	RIVET, SOLID, UNIVERSAL HEAD (LENGTH A/R)
11	2	HRDWR	MS21083C3	NUT, SELF-LOCKING, LOW HEIGHT, STAINLESS
12	2	HRDWR	MS24694C54	MACHINE SCREW, FLAT COUNTERSUNK HEAD, 100°
13	2	HRDWR	NAS1149C0363R	WASHER, FLAT, STAINLESS

AEROCET, INC. RESERVES THE RIGHT TO CANCEL, ADD OR CHANGE PARTS SHOWN IN THIS FIGURE WITHOUT NOTICE.

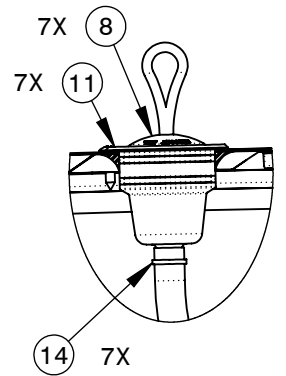
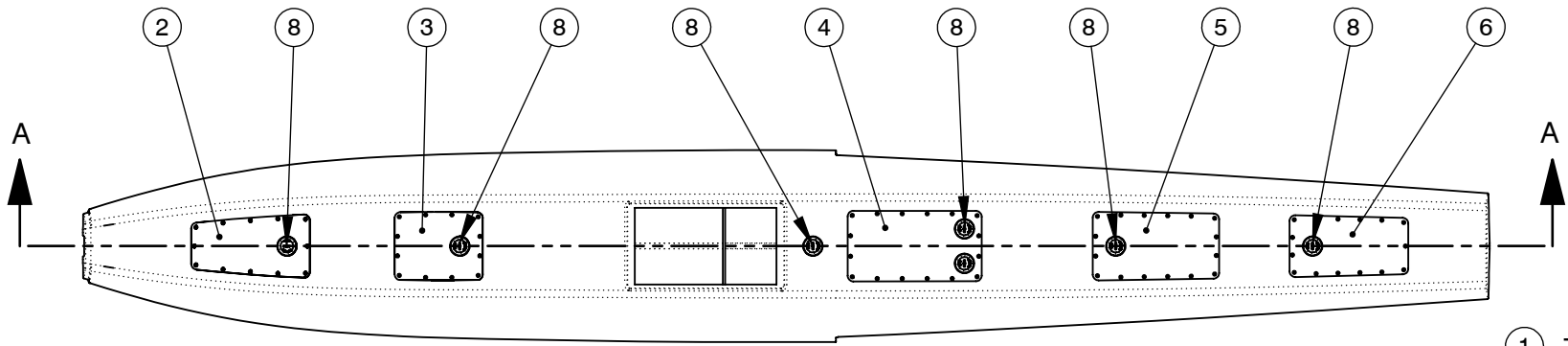


CUSTOMER PARTS LIST MODEL
1500 FOR LOCKER DOOR
INSTALLATION

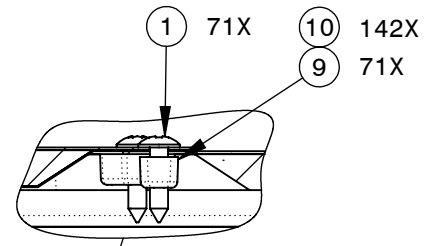
FILE NO. **15-CPL-21200** REV. **0**

CAD MODEL 15-21200-2-N
SERVICE MANUAL ILLUSTRATION/15-CPL-21200 SHEET 3 OF 3

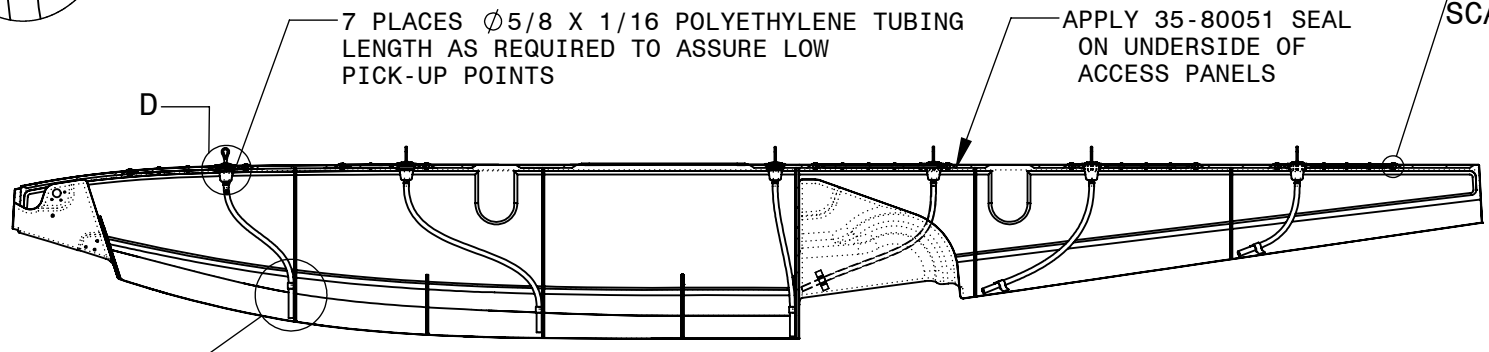
THE INFORMATION CONTAINED IN THIS DRAWING IS THE SOLE PROPERTY OF AEROCET, INC. ANY REPRODUCTION IN WHOLE OR IN PART WITHOUT THE WRITTEN PERMISSION OF AEROCET, INC. IS PROHIBITED.



DETAIL D
SCALE 1 : 4



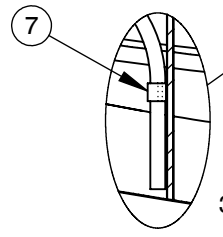
DETAIL C
SCALE 1 : 2



7 PLACES $\text{Ø}5/8 \times 1/16$ POLYETHYLENE TUBING
LENGTH AS REQUIRED TO ASSURE LOW
PICK-UP POINTS

APPLY 35-80051 SEAL
ON UNDERSIDE OF
ACCESS PANELS

SECTION A-A
SCALE 1 : 24



DETAIL B
SCALE 1 : 8

35-41056 BONDED USING
MA425 PLEXUS

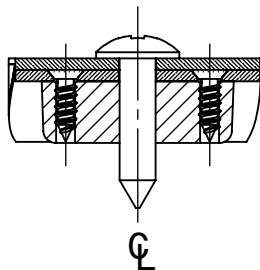
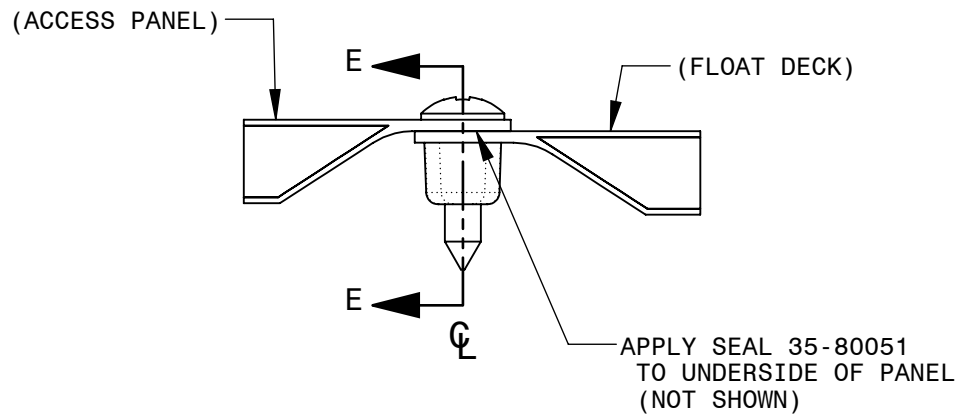
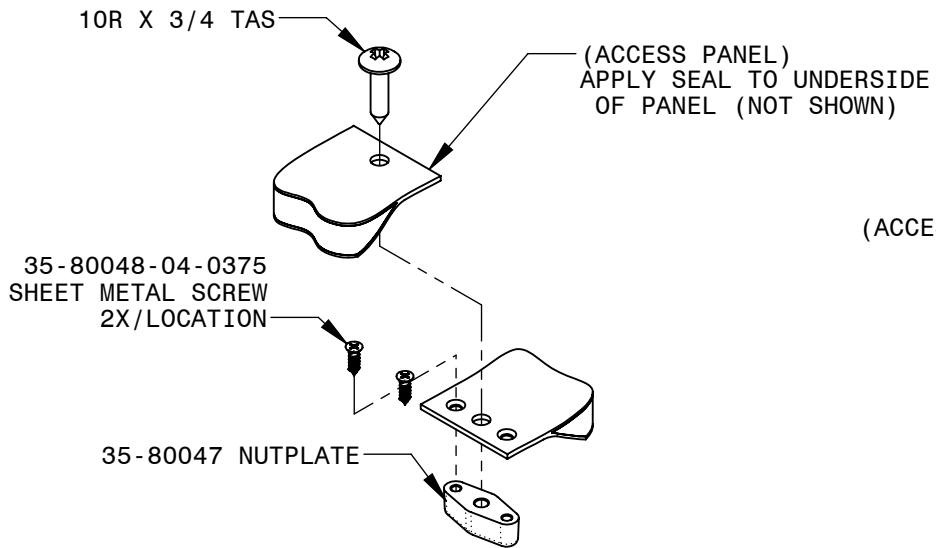
AEROCET, INC. RESERVES THE RIGHT
TO CANCEL, ADD OR CHANGE PARTS
SHOWN IN THIS FIGURE WITHOUT
NOTICE.



CUSTOMER PARTS LIST
MODEL 1500 ACCESS
PANEL INSTALLATION

FILE NO.	15-CPL-21300	REV.	01
CAD MODEL	15-21300-A		
SERVICE MANUAL ILLUSTRATION/15-CPL-21300		SHEET 1 OF 3	

THE INFORMATION CONTAINED IN THIS DRAWING IS THE SOLE PROPERTY OF AEROCET, INC. ANY REPRODUCTION IN WHOLE OR IN PART WITHOUT THE WRITTEN PERMISSION OF AEROCET, INC. IS PROHIBITED.



SECTION E-E

AEROCET, INC. RESERVES THE RIGHT TO CANCEL, ADD OR CHANGE PARTS SHOWN IN THIS FIGURE WITHOUT NOTICE.



CUSTOMER PARTS LIST
MODEL 1500 ACCESS
PANEL INSTALLATION

FILE NO. 15-CPL-21300 REV. 01

CAD MODEL 15-21300-A SERVICE MANUAL ILLUSTRATION/15-CPL-21300 SHEET 2 OF 3

THE INFORMATION CONTAINED IN THIS DRAWING IS THE SOLE PROPERTY OF AEROCET, INC. ANY REPRODUCTION IN WHOLE OR IN PART WITHOUT THE WRITTEN PERMISSION OF AEROCET, INC. IS PROHIBITED.

PARTS LIST FOR 15-21300 ACCESS PANNEL INSTALLATION

ITEM NO.	QTY.	TYPE	PART NUMBER	DESCRIPTION	ALTERNATES/COMMENTS
1	71	HRDWR	10R X 3/4 TAS	SHT MTL SCREW, STAINLESS, TRUSS HEAD	
2	1	PART	15-21301	ACCESS PANEL	
3	1	PART	15-21302	ACCESS PANEL	
4	1	PART	15-21303	ACCESS PANEL	
5	1	PART	15-21304	ACCESS PANEL	
6	1	PART	15-21305	ACCESS PANEL	
7	7	PART	35-41056	TUBING GUIDE, CARBON FIBER	
8	7	PART	35-80027	PUMP OUT PLUG, AEROCET VERSION 2	OR LAKE & AIR P/N 2111R, OR LAKE & AIR P/N 2111
9	71	PART	35-80047	NUTPLATE, FOR USE WITH #10 SHEET METAL SCREWS	
10	142	PART	35-80048-04-0375	SHEET METAL SCREW, UNDERCUT FLAT HEAD, TYPE A OR AB, STAINLESS	
11	7	PART	35-80049	PUMP OUT CUP, NYLON	
12	1	BULK	35-80051	SEAL, 1/2 X 1/8, EPDM FOAM, 230" EST. MIN LENGTH	
13	1	BULK	5/8 X 1/16	PUMP-OUT TUBING, LENGTH AS REQUIRED	
14	7	HRDWR	T18 R9 C2	CABLE TIE (MS3367-4-9)	

AEROCET, INC. RESERVES THE RIGHT TO CANCEL, ADD OR CHANGE PARTS SHOWN IN THIS FIGURE WITHOUT NOTICE.

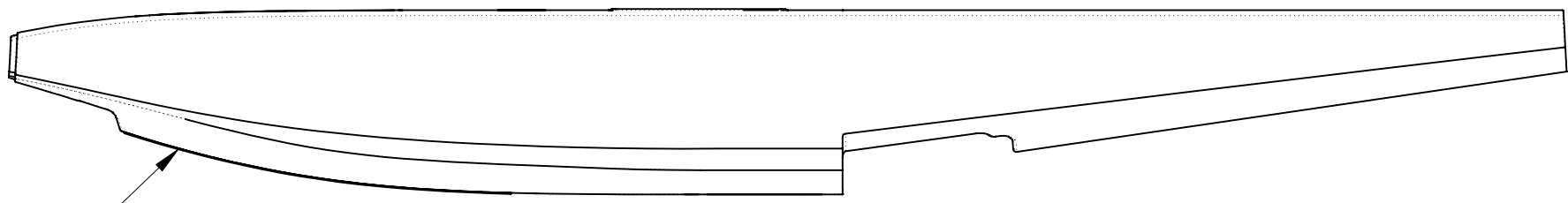


CUSTOMER PARTS LIST
MODEL 1500 ACCESS
PANEL INSTALLATION

FILE NO. **15-CPL-21300** REV. **01**

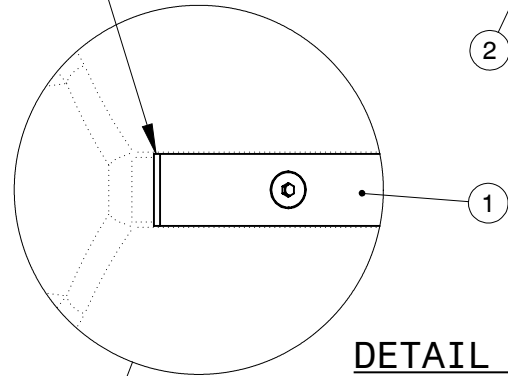
CAD MODEL 15-21300-A
SERVICE MANUAL ILLUSTRATION/15-CPL-21300 SHEET 3 OF 3

THE INFORMATION CONTAINED IN THIS DRAWING IS THE SOLE PROPERTY OF AEROCET, INC. ANY REPRODUCTION IN WHOLE OR IN PART WITHOUT THE WRITTEN PERMISSION OF AEROCET, INC. IS PROHIBITED.

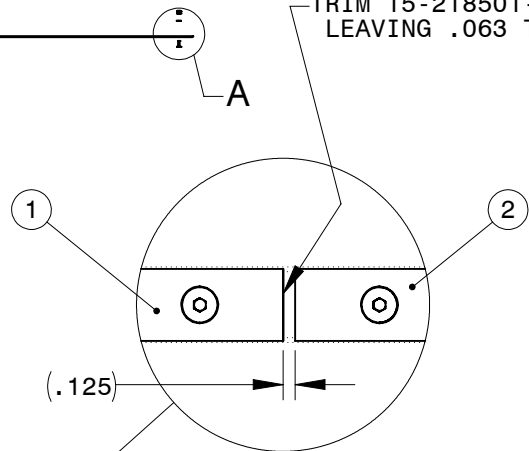


TRIM 15-218501-1 KEEL STRIP, FOREBODY
LEAVING .063 TO .125 GAP

(BEVELLED EDGE
ORIENTED FWD)

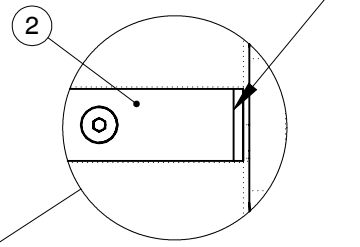


DETAIL B
SCALE 1 : 2

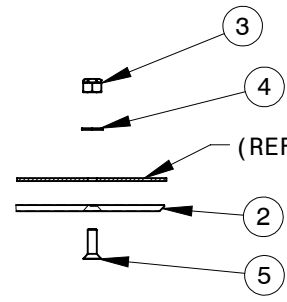
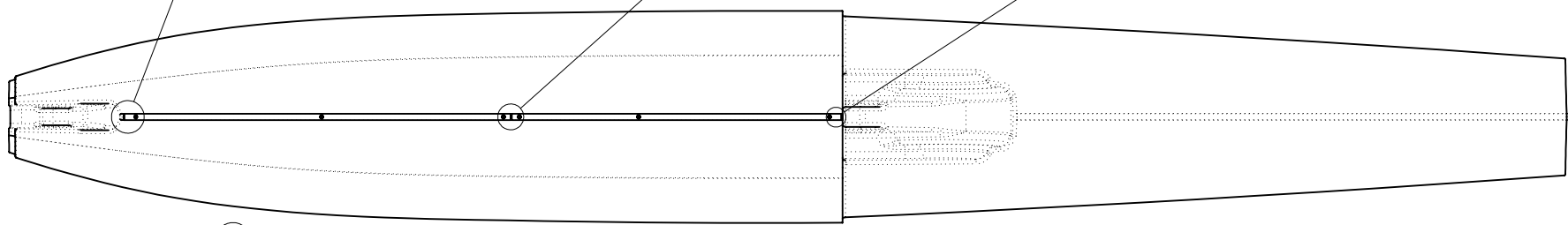


DETAIL C
SCALE 1 : 2

(BEVELLED EDGE
ORIENTED AFT)



DETAIL D
SCALE 1 : 2



TYPICAL FASTENER
INSTALLATION (6X)
DETAIL A
SCALE 1 : 4

AEROCET, INC. RESERVES THE RIGHT
TO CANCEL, ADD OR CHANGE PARTS
SHOWN IN THIS FIGURE WITHOUT
NOTICE.

AEROCET INCORPORATED	
CUSTOMER PARTS LIST MODEL 1500 KEEL STRIP INSTALLATION	
FILE NO.	15-CPL-21800
CAD MODEL	15-21800-N
SERVICE MANUAL ILLUSTRATION/15-CPL-21800	REV. P01

THE INFORMATION CONTAINED IN THIS DRAWING IS THE SOLE PROPERTY OF AEROCET, INC. ANY REPRODUCTION IN WHOLE OR IN PART WITHOUT THE WRITTEN PERMISSION OF AEROCET, INC. IS PROHIBITED.

PARTS LIST FOR 15-21800 KEEL STRIPS INSTALLATION

ITEM NO.	QTY	TYPE	PART NUMBER	DESCRIPTION
1	1	PART	15-21801-1	KEEL STRIP, FOREBODY, BOW
2	1	PART	15-21801-2	KEEL STRIP, FOREBODY, STEP
3	6	HRDWR	MS21044C3	NUT, SELF-LOCKING, REGULAR HEIGHT, STAINLESS
4	6	HRDWR	NAS1149C0332R	WASHER, FLAT, STAINLESS
5	6	HRDWR	SCHSCREW 0.19-32x0.625x0.625-HX-C	SOCKET HEAD CAP SCREW, 82 DEG. C-SINK, 300 SERIES SS OR 18-8 SS (#10-32 X 5/8)

AEROCET, INC. RESERVES THE RIGHT TO CANCEL, ADD OR CHANGE PARTS SHOWN IN THIS FIGURE WITHOUT NOTICE.



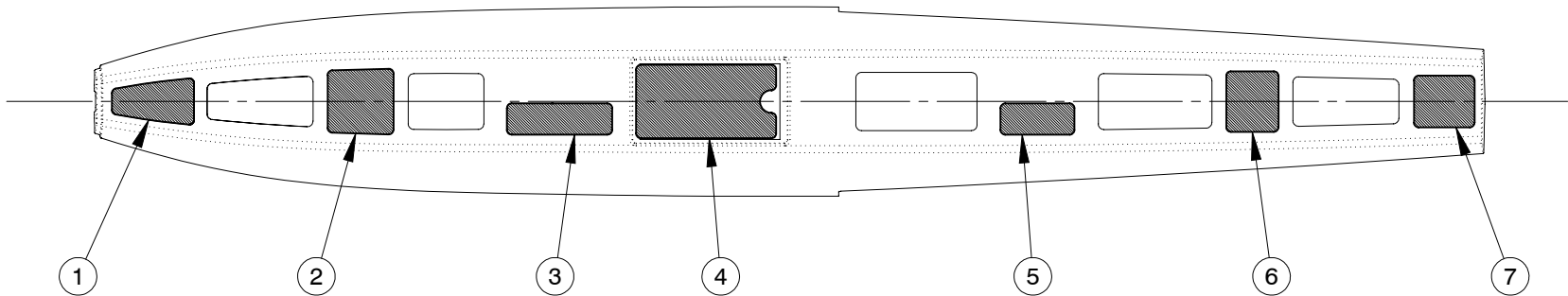
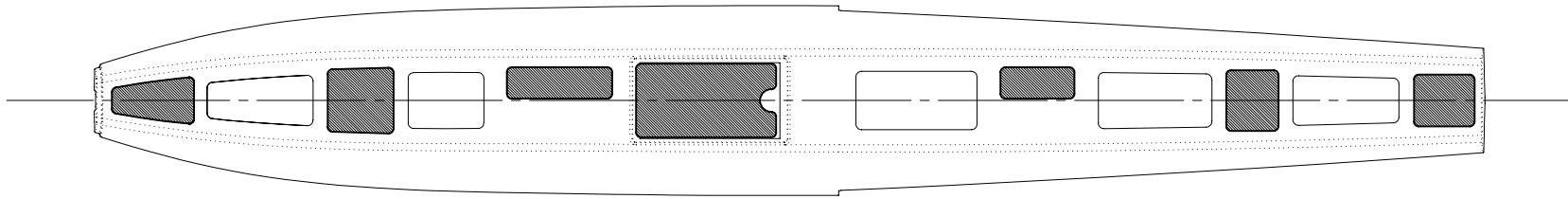
CUSTOMER PARTS LIST
MODEL 1500 KEEL STRIP
INSTALLATION

FILE NO. **15-CPL-21800** REV. P01

CAD MODEL SERVICE MANUAL ILLUSTRATION/15-CPL-21800 SHEET 2 OF 2

THE INFORMATION CONTAINED IN THIS DRAWING IS THE SOLE PROPERTY OF AEROCET, INC. ANY REPRODUCTION IN WHOLE OR IN PART WITHOUT THE WRITTEN PERMISSION OF AEROCET, INC. IS PROHIBITED.

RHS INSTALLATION



LHS INSTALLATION

AEROCET, INC. RESERVES THE RIGHT TO CANCEL, ADD OR CHANGE PARTS SHOWN IN THIS FIGURE WITHOUT NOTICE.



CUSTOMER PARTS LIST MODEL 1500 ANTI-SKID INSTALLATION

FILE NO.	15-CPL-23000	REV.	0
CAD MODEL	15-23000-R-N	SERVICE MANUAL ILLUSTRATION/15-CPL-23000	

THE INFORMATION CONTAINED IN THIS DRAWING IS THE SOLE PROPERTY OF AEROCET, INC. ANY REPRODUCTION IN WHOLE OR IN PART WITHOUT THE WRITTEN PERMISSION OF AEROCET, INC. IS PROHIBITED.

PARTS LIST FOR 15-23000 ANTI-SKID INSTALLATION

ITEM NO.	QTY	TYPE	PART NUMBER	DESCRIPTION
1	1	PART	15-23001	ANTI-SKID 1, ADHESIVE TYPE
2	1	PART	15-23002	ANTI-SKID 2, ADHESIVE TYPE
3	1	PART	15-23003	ANTI-SKID 3, ADHESIVE TYPE
4	1	PART	15-23004	ANTI-SKID, LOCKER DOOR, ADHESIVE TYPE
5	1	PART	15-23005	ANTI-SKID 5, ADHESIVE TYPE
6	1	PART	15-23006	ANTI-SKID 6, ADHESIVE TYPE
7	1	PART	15-23007	ANTI-SKID 7, ADHESIVE TYPE

AEROCET, INC. RESERVES THE RIGHT TO CANCEL, ADD OR CHANGE PARTS SHOWN IN THIS FIGURE WITHOUT NOTICE.

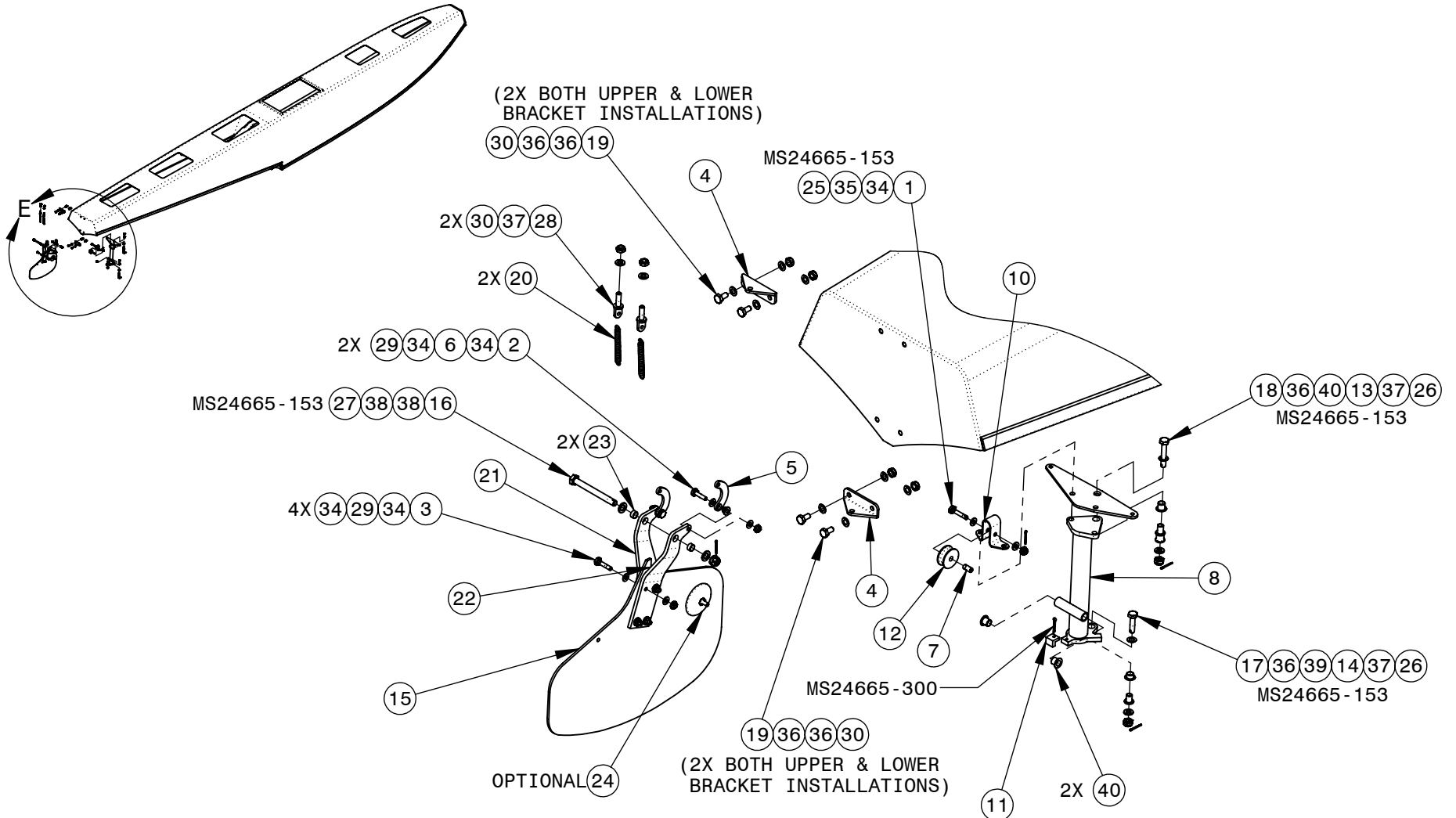


CUSTOMER PARTS LIST
MODEL 1500 ANTI-SKID
INSTALLATION

FILE NO. **15-CPL-23000** REV. **0**

CAD MODEL SERVICE MANUAL ILLUSTRATION/15-CPL-23000 SHEET 2 OF 2

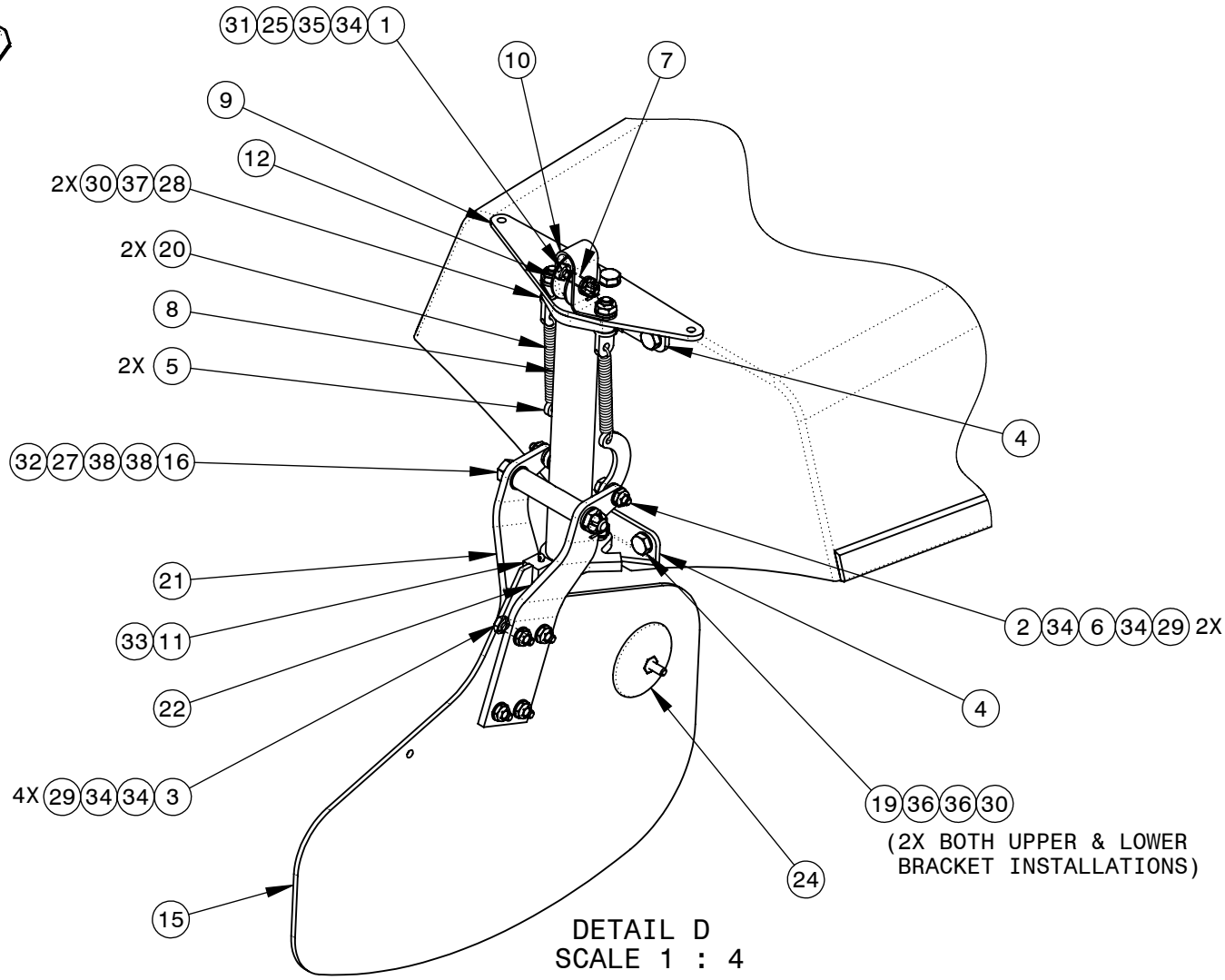
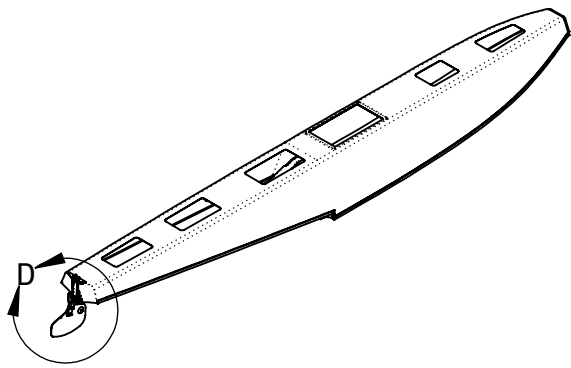
THE INFORMATION CONTAINED IN THIS DRAWING IS THE SOLE PROPERTY OF AEROCET, INC. ANY REPRODUCTION IN WHOLE OR IN PART WITHOUT THE WRITTEN PERMISSION OF AEROCET, INC. IS PROHIBITED.



DETAIL E
SCALE 1 : 8

AEROCET, INC. RESERVES THE RIGHT TO CANCEL, ADD OR CHANGE PARTS SHOWN IN THIS FIGURE WITHOUT NOTICE.		AEROCET INCORPORATED	
		CUSTOMERS PARTS LIST MODEL 1500 RUDDER ASSEMBLY	
FILE NO.	15-CPL-24001	REV.	0
CAD MODEL	15-24001-L-N	SERVICE MANUAL ILLUSTRATION/15-CPL-24001	
		SHEET 1 OF 3	

THE INFORMATION CONTAINED IN THIS DRAWING IS THE SOLE PROPERTY OF AEROCET, INC. ANY REPRODUCTION IN WHOLE OR IN PART WITHOUT THE WRITTEN PERMISSION OF AEROCET, INC. IS PROHIBITED.



AEROCET, INC. RESERVES THE RIGHT TO CANCEL, ADD OR CHANGE PARTS SHOWN IN THIS FIGURE WITHOUT NOTICE.

AEROCET	
OPTIONAL	INCORPORATED
CUSTOMERS PARTS LIST	
MODEL 1500 RUDDER ASSEMBLY	
FILE NO.	15-CPL-24001
	REV. 0
CAD MODEL	15-24001-L-N
SERVICE MANUAL ILLUSTRATION/15-CPL-24001	

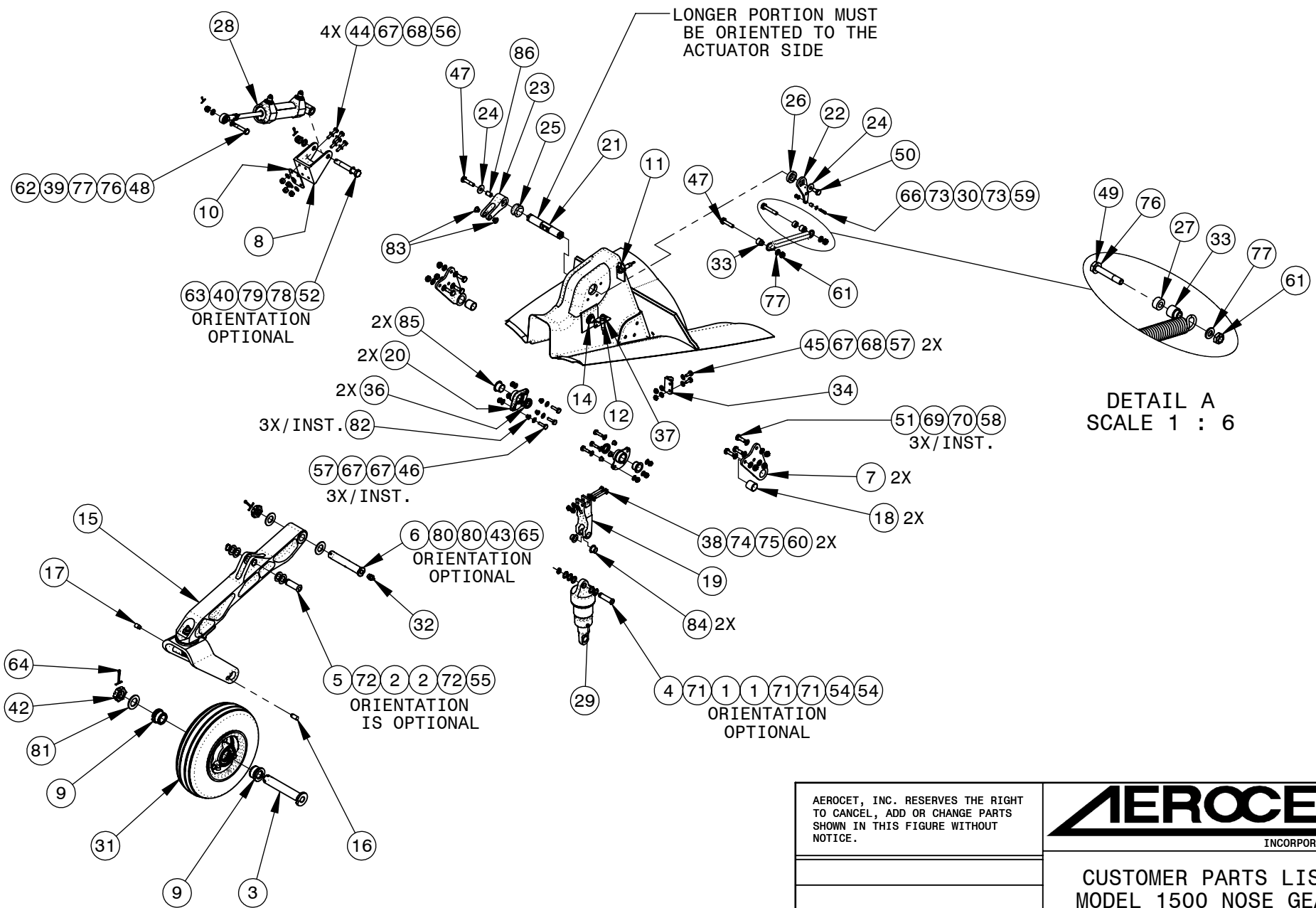
THE INFORMATION CONTAINED IN THIS DRAWING IS THE SOLE PROPERTY OF AEROCET, INC. ANY REPRODUCTION IN WHOLE OR IN PART WITHOUT THE WRITTEN PERMISSION OF AEROCET, INC. IS PROHIBITED.

PARTS LIST FOR 15-24001 WATER RUDDER ASSEMBLY

ITEM NO.	QTY	TYPE	PART NUMBER	DESCRIPTION
1	1	HRDWR	15-24003C10	BOLT - MACHINE, STAINLESS (PER AEROCET SPECIFICATION)
2	2	HRDWR	15-24003C6A	BOLT - MACHINE, STAINLESS (PER AEROCET SPECIFICATION)
3	4	HRDWR	15-24003C7A	BOLT - MACHINE, STAINLESS (PER AEROCET SPECIFICATION)
4	2	PART	15-24004	TILLER ATTACH BRACKET, AEROCET 1500 SERIES FLOATS
5	2	PART	15-24006	RUDDER LINK
6	2	PART	15-24007	RUDDER LINK BUSHING, AEROCET 1500 SERIES FLOATS
7	1	PART	15-24009	PULLEY BUSHING, TILLER ASSEMBLY
8	1	ASSY	15-24010	TILLER POST ASSEMBLY, AEROCET 1500 SERIES FLOATS
9	1	PART	15-24014	TILLER BAR
10	1	PART	15-24015	PULLEY BRACKET, TILLER ASSEMBLY
11	1	PART	15-24016	RUDDER STOP, TILLER ASSEMBLY
12	1	PART	15-24017	PULLEY, TILLER ASSEMBLY
13	1	PART	15-24018	TILLER BUSHING, UPPER, AEROCET 1500 SERIES FLOATS
14	1	PART	15-24019	TILLER BUSHING, LOWER, AEROCET 1500 SERIES FLOATS
15	1	PART	15-24020	RUDDER BLADE, MODEL 1500 SERIES FLOATS
16	1	PART	22-24007	BOLT - MACHINE, STAINLESS
17	1	PART	22-24154-10	BOLT - MACHINE, STAINLESS
18	1	PART	22-24154-14	BOLT - MACHINE, STAINLESS
19	4	PART	22-24154-4A	BOLT - MACHINE, STAINLESS
20	2	PART	22-34023	WATER RUDDER RETRACT SPRING
21	1	PART	22-34025-1	RUDDER YOKE, LHS, NO COUNTERSINKS
22	1	PART	22-34025-2	RUDDER YOKE, RHS, NO COUNTERSINKS
23	2	PART	22-34031	RUDDER YOKE BUSHING
24	1	PART	56-10158	ZINC ANODE ASSEMBLY
25	1	HRDWR	AN310C3	NUT, PLAIN, CASTELLATED, AIRFRAME
26	2	HRDWR	AN310C4	NUT, CASTELLATED, STAINLESS
27	1	HRDWR	AN310C5	NUT, CASTELLATED, STAINLESS
28	2	HRDWR	AN43B-C6A	EYEBOLT
29	6	HRDWR	MS21083C3	NUT, SELF-LOCKING, LOW HEIGHT, STAINLESS
30	6	HRDWR	MS21083C4	NUT, SELF-LOCKING, LOW-HEIGHT, STAINLESS
31	2	HRDWR	MS24665-153	COTTER PIN
32	1	HRDWR	MS24665-153	COTTER PIN
33	1	HRDWR	MS24665-300	COTTER PIN
34	13	HRDWR	NAS1149C0332R	WASHER, FLAT, STAINLESS
35	1	HRDWR	NAS1149C0363R	WASHER, FLAT, STAINLESS
36	10	HRDWR	NAS1149C0416R	WASHER, FLAT, STAINLESS
37	4	HRDWR	NAS1149C0463R	WASHER, FLAT, STAINLESS
38	2	HRDWR	NAS1149C0563R	WASHER, FLAT, STAINLESS
39	1	HRDWR	TFI-0506-04	PLAIN BEARING, FLANGED (iglide P/N)
40	3	HRDWR	TFI-0506-06	PLAIN BEARING, FLANGED (iglide P/N)

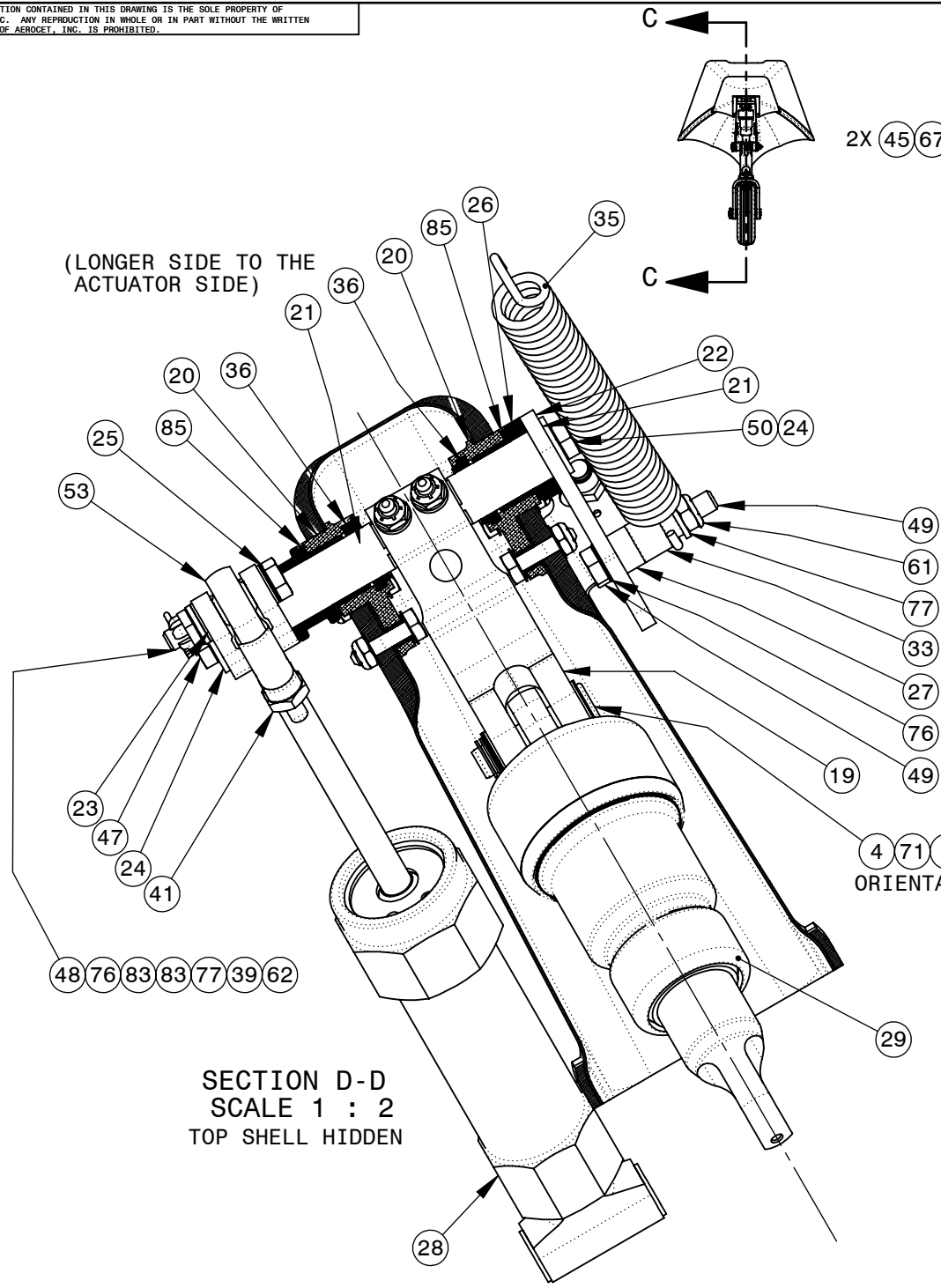
AEROCET, INC. RESERVES THE RIGHT TO CANCEL, ADD OR CHANGE PARTS SHOWN IN THIS FIGURE WITHOUT NOTICE.	AEROCET INCORPORATED	
	CUSTOMERS PARTS LIST MODEL 1500 RUDDER ASSEMBLY	
FILE NO.	15-CPL-24001	REV. 0
CAD MODEL	15-24001-L-N SERVICE MANUAL ILLUSTRATION/15-CPL-24001	
		SHEET 3 OF 3

THE INFORMATION CONTAINED IN THIS DRAWING IS THE SOLE PROPERTY OF AEROCET, INC. ANY REPRODUCTION IN WHOLE OR IN PART WITHOUT THE WRITTEN PERMISSION OF AEROCET, INC. IS PROHIBITED.



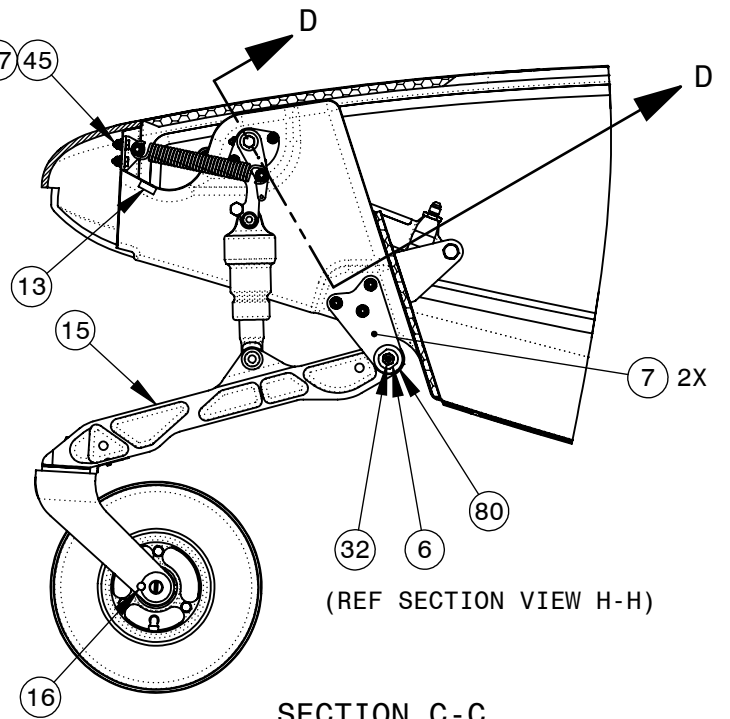
AEROCET, INC. RESERVES THE RIGHT TO CANCEL, ADD OR CHANGE PARTS SHOWN IN THIS FIGURE WITHOUT NOTICE.		AEROCET INCORPORATED	
		CUSTOMER PARTS LIST MODEL 1500 NOSE GEAR ASSEMBLY	
FILE NO.	15-CPL-42000	REV.	P01
CAD MODEL	15-42000-H	SERVICE MANUAL ILLUSTRATION/15-CPL-42000	
		SHEET 1 OF 5	

THE INFORMATION CONTAINED IN THIS DRAWING IS THE SOLE PROPERTY OF AEROCET, INC. ANY REPRODUCTION IN WHOLE OR IN PART WITHOUT THE WRITTEN PERMISSION OF AEROCET, INC. IS PROHIBITED.



SECTION D-D
SCALE 1 : 2
TOP SHELL HIDDEN

2X (45)(67)(68)(57)(45)



SECTION C-C
SCALE 1 : 8

(4)(71)(1)(1)(71)(71)(54)(54)
ORIENTATION IS OPTIONAL

AEROCET, INC. RESERVES THE RIGHT TO CANCEL, ADD OR CHANGE PARTS SHOWN IN THIS FIGURE WITHOUT NOTICE.



CUSTOMER PARTS LIST
MODEL 1500 NOSE GEAR
ASSEMBLY

FILE NO.	15-CPL-42000	REV.	P01
CAD MODEL	15-42000-H	SERVICE MANUAL ILLUSTRATION/15-CPL-42000	

THE INFORMATION CONTAINED IN THIS DRAWING IS THE SOLE PROPERTY OF AEROCET, INC. ANY REPRODUCTION IN WHOLE OR IN PART WITHOUT THE WRITTEN PERMISSION OF AEROCET, INC. IS PROHIBITED.

PARTS LIST FOR 15-42000 NOSE GEAR ASSEMBLY

ITEM NO.	QTY.	TYPE	PART NUMBER	DESCRIPTION
1	2	PART	15-22101	WASHER, FLAT, PLASTIC, Ø3/8
2	2	PART	15-22102	WASHER, FLAT, PLASTIC, Ø1/2
3	1	PART	15-42011	AXLE
4	1	PART	15-42012	PIN, NOSE GEAR
5	1	PART	15-42013	PIN, NOSE GEAR
6	1	PART	15-42016	REAR PIN, NOSE GEAR LOWER ASSEMBLY
7	2	PART	15-42017	ATTACHMENT BRACKET, GEAR ARM, NOSE GEAR
8	1	PART	15-42019	ACTUATOR MOUNT, NOSE GEAR
9	2	ASSY	15-42020	TENSIONER ASSEMBLY, NOSE GEAR
10	1	PART	15-42021	BACKING, ACTUATOR MOUNT, NOSE GEAR
11	1	PART	15-42024	BRACKET, NOSE GEAR SENSOR MOUNTING, UP
12	1	PART	15-42025	BRACKET, NOSE GEAR SENSOR MOUNTING, DOWN
13	1	PART	15-42033	URETHANE BLOCK, NOSE GEAR RETRACT
14	2	PART	15-42036	Ø5/16" WASHER, FLAT, LARGE OD, STAINLESS
15	1	ASSY	15-42100	LOWER NOSE LANDING GEAR ASSEMBLY
16	1	PART	15-42102-1	LOCKPIN, AXLE SIDE, LOWER NOSE GEAR
17	1	PART	15-42102-2	LOCKPIN, NUT SIDE, LOWER NOSE GEAR
18	2	PART	15-42124	PLAIN BEARING, NOSE GEAR
19	1	PART	15-42201	GEAR LINK, NOSE GEAR
20	2	PART	15-42202	TORQUE TUBE MOUNT, UPPER NOSE GEAR
21	1	PART	15-42203	TORQUE TUBE, UPPER NOSE GEAR
22	1	PART	15-42204	EXTENSION SPRING LINK, UPPER NOSE GEAR
23	1	PART	15-42206	ACTUATOR LINK, UPPER NOSE GEAR
24	2	PART	15-42207	WASHER, FLAT, UPPER NOSE GEAR
25	1	PART	15-42208	SPACER, UPPER NOSE GEAR, ACTUATOR SIDE
26	1	PART	15-42209	SPACER, UPPER NOSE GEAR, SPRING SIDE
27	1	PART	15-42210	SPACER, UPPER NOSE GEAR, SPRING ATTACHMENT
28	1	ASSY	15-42300	ACTUATOR CYLINDER, NOSE GEAR
29	1	PART	15-42400	OLEO ASSEMBLY, NOSE GEAR
30	1	PART	15-45028	MAGNET, RING STYLE
31	1	ASSY	15-51040	2.0" X 4.0" WHEEL ASSEMBLY (2.80/2.50 - 4)
32	1	PART	35-80003	STRAIGHT GREASE FITTING, 1/8-27 PTF THREADS
33	2	PART	35A-45035	SPRING BUSHING
34	1	PART	35A-45036	LOWER SPRING BRACKET, RHS
35	1	PART	35A-45095	EXTENSION SPRING
36	2	HRDWR	4615-SHD-00625	ROD WIPER SEAL, PARKER P/N
37	2	HRDWR	59060-1-T-03-A	PROXIMITY SENSOR, MAGNETIC REED, STAINLESS STEEL
38	2	HRDWR	AN3-12A	BOLT - MACHINE, AIRCRAFT

AEROCET, INC. RESERVES THE RIGHT TO CANCEL, ADD OR CHANGE PARTS SHOWN IN THIS FIGURE WITHOUT NOTICE.	AEROCET INCORPORATED	
	CUSTOMER PARTS LIST MODEL 1500 NOSE GEAR ASSEMBLY	
FILE NO.	15-CPL-42000	REV. P01
CAD MODEL	15-42000-H SERVICE MANUAL ILLUSTRATION/15-CPL-42000	

THE INFORMATION CONTAINED IN THIS DRAWING IS THE SOLE PROPERTY OF AEROCET, INC. ANY REPRODUCTION IN WHOLE OR IN PART WITHOUT THE WRITTEN PERMISSION OF AEROCET, INC. IS PROHIBITED.

PARTS LIST FOR 15-42000 NOSE GEAR ASSEMBLY

ITEM NO.	QTY.	TYPE	PART NUMBER	DESCRIPTION
39	1	HRDWR	AN310-4	NUT, CASTELLATED
40	1	HRDWR	AN310-6	NUT, CASTELLATED
41	1	HRDWR	AN316-5R	JAM NUT, RIGHT HAND THREADS
42	1	HRDWR	AN320-12	NUT, PLAIN, CASTELLATED, SHEAR
43	1	HRDWR	AN320C10	NUT, PLAIN, CASTELLATED, SHEAR
44	1	HRDWR	AN3C10A	BOLT - MACHINE, AIRCRAFT, STAINLESS
45	2	HRDWR	AN3C4A	BOLT - MACHINE, AIRCRAFT, STAINLESS
46	6	HRDWR	AN3C6A	BOLT - MACHINE, AIRCRAFT, STAINLESS
47	2	HRDWR	AN4-11A	BOLT - MACHINE, AIRCRAFT
48	1	HRDWR	AN4-13	BOLT - MACHINE, AIRCRAFT
49	1	HRDWR	AN4-14A	BOLT - MACHINE, AIRCRAFT
50	1	HRDWR	AN4-4A	BOLT - MACHINE, AIRCRAFT
51	6	HRDWR	AN4CXXX	BOLT - MACHINE, AIRCRAFT, STAINLESS
52	1	HRDWR	AN6-24	BOLT - MACHINE, AIRCRAFT
53	1	HRDWR	M81935/2-04	ROD END, FEMALE
54	2	HRDWR	MS16624-4037	RETAINING RING, EXTERNAL
55	1	HRDWR	MS16624-4050	RETAINING RING, EXTERNAL
56	4	HRDWR	MS21044C3	NUT, SELF-LOCKING, REGULAR HEIGHT, STAINLESS
57	8	HRDWR	MS21083C3	NUT, SELF-LOCKING, LOW HEIGHT, STAINLESS
58	6	HRDWR	MS21083C4	NUT, SELF-LOCKING, LOW-HEIGHT, STAINLESS
59	1	HRDWR	MS21083N04	NUT, SELF-LOCKING, LOW-HEIGHT
60	2	HRDWR	MS21083N3	NUT, SELF-LOCKING, LOW-HEIGHT
61	2	HRDWR	MS21083N4	NUT, SELF-LOCKING, LOW HEIGHT
62	1	HRDWR	MS24665-153	COTTER PIN
63	1	HRDWR	MS24665-300	COTTER PIN
64	1	HRDWR	MS24665-362	COTTER PIN
65	1	HRDWR	MS24665-377	COTTER PIN
66	1	HRDWR	MS35275-218	MACHINE SCREW, DRILLED PHILLISTER HEAD
67	18	HRDWR	NAS1149C0316R	WASHER, FLAT, STAINLESS
68	6	HRDWR	NAS1149C0363R	WASHER, FLAT, STAINLESS
69	6	HRDWR	NAS1149C0416R	WASHER, FLAT, STAINLESS
70	6	HRDWR	NAS1149C0463R	WASHER, FLAT, STAINLESS
71	3	HRDWR	NAS1149C0616R	WASHER, FLAT, STAINLESS
72	2	HRDWR	NAS1149C0863R	WASHER, FLAT, STAINLESS
73	2	HRDWR	NAS1149CN432R	WASHER, FLAT, STAINLESS
74	2	HRDWR	NAS1149D0316K	WASHER, FLAT
75	2	HRDWR	NAS1149D0363K	WASHER, FLAT
76	3	HRDWR	NAS1149D0416K	WASHER, FLAT

AEROCET, INC. RESERVES THE RIGHT TO CANCEL, ADD OR CHANGE PARTS SHOWN IN THIS FIGURE WITHOUT NOTICE.



CUSTOMER PARTS LIST
MODEL 1500 NOSE GEAR
ASSEMBLY

FILE NO. **15-CPL-42000** REV. P01

CAD MODEL 15-42000-H SERVICE MANUAL ILLUSTRATION/15-CPL-42000 SHEET 4 OF 5

THE INFORMATION CONTAINED IN THIS DRAWING IS THE SOLE PROPERTY OF AEROCET, INC. ANY REPRODUCTION IN WHOLE OR IN PART WITHOUT THE WRITTEN PERMISSION OF AEROCET, INC. IS PROHIBITED.

PARTS LIST FOR 15-42000 NOSE GEAR ASSEMBLY

ITEM NO.	QTY.	TYPE	PART NUMBER	DESCRIPTION
77	3	HRDWR	NAS1149D0463K	WASHER, FLAT
78	1	HRDWR	NAS1149D0616K	WASHER, FLAT
79	1	HRDWR	NAS1149D0663K	WASHER, FLAT
80	2	HRDWR	NAS1149D1063K	WASHER, FLAT
81	1	HRDWR	NAS1149D1290K	WASHER, FLAT
82	6	HRDWR	TFI-0304-04	PLAIN BEARING, FLANGED (iglide P/N)
83	2	HRDWR	TFI-0405-04	PLAIN BEARING, FLANGED (iglide P/N)
84	2	HRDWR	TFI-0607-06	PLAIN BEARING, FLANGED (iglide P/N)
85	2	HRDWR	TFI-1011-08	PLAIN BEARING, FLANGED (iglide P/N)
86	1	HRDWR	TSI-0405-08	IGLIDE T500, PLAIN BEARING (iglide P/N)

AEROCET, INC. RESERVES THE RIGHT TO CANCEL, ADD OR CHANGE PARTS SHOWN IN THIS FIGURE WITHOUT NOTICE.



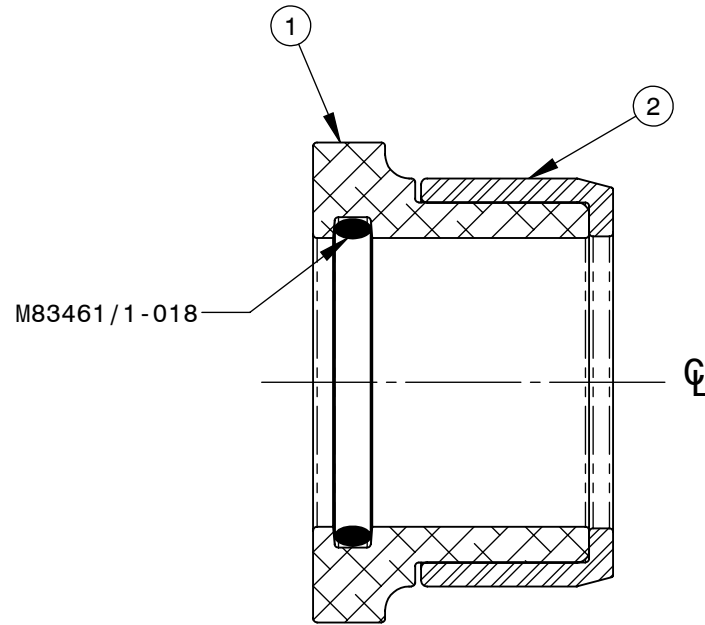
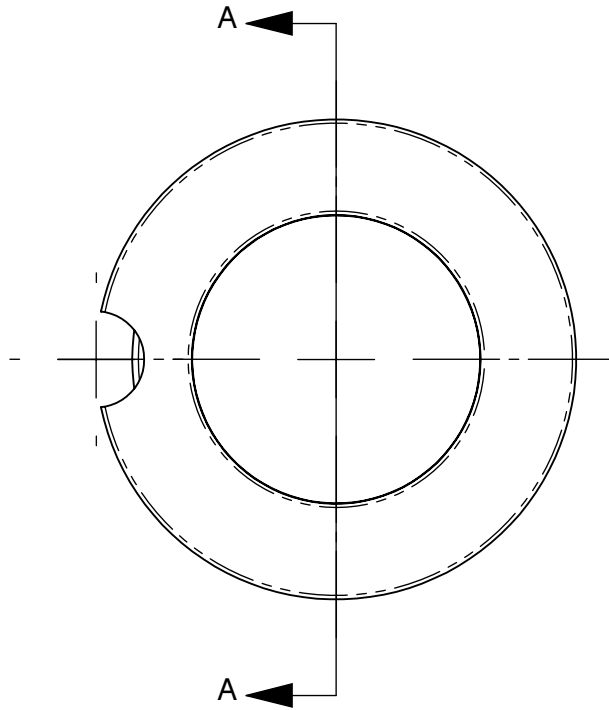
CUSTOMER PARTS LIST
MODEL 1500 NOSE GEAR
ASSEMBLY

FILE NO. **15-CPL-42000** REV. P01

CAD MODEL 15-42000-H SERVICE MANUAL ILLUSTRATION/15-CPL-42000 SHEET 5 OF 5

THE INFORMATION CONTAINED IN THIS DRAWING IS THE SOLE PROPERTY OF AEROCET, INC. ANY REPRODUCTION IN WHOLE OR IN PART WITHOUT THE WRITTEN PERMISSION OF AEROCET, INC. IS PROHIBITED.

Experimental Only



SECTION A-A

AEROCET, INC. RESERVES THE RIGHT TO CANCEL, ADD OR CHANGE PARTS SHOWN IN THIS FIGURE WITHOUT NOTICE.



TENSIONER, ASSEMBLY,
NOSE GEAR

FILE NO. 15-CPL-42020 REV. 00

CAD MODEL 15-42020-N
SERVICE MANUAL ILLUSTRATION/15-CPL-42020 SHEET 1 OF 2

THE INFORMATION CONTAINED IN THIS DRAWING IS THE SOLE PROPERTY OF AEROCET, INC. ANY REPRODUCTION IN WHOLE OR IN PART WITHOUT THE WRITTEN PERMISSION OF AEROCET, INC. IS PROHIBITED.

ITEM NO.	Default /QTY	TYPE	PART NUMBER	DESCRIPTION
1	1	PART	15-42014	TENSIONER BUSHING, NOSE GEAR
2	1	PART	15-42015	TENSIONER SLEEVE, STAINLESS, NOSE GEAR
3	1	HRDWR	M83461/1-018	NITRILE O-RING

Experimental Only

AEROCET, INC. RESERVES THE RIGHT TO CANCEL, ADD OR CHANGE PARTS SHOWN IN THIS FIGURE WITHOUT NOTICE.

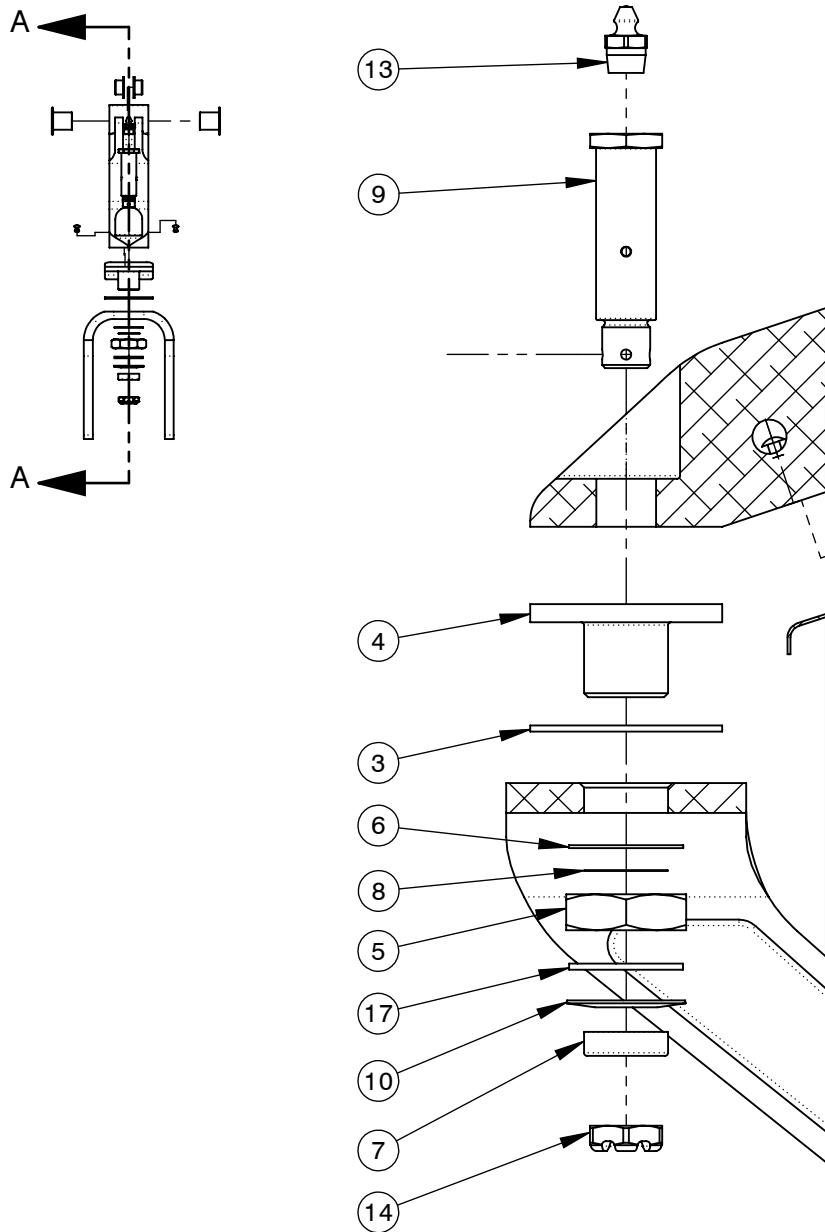


TENSIONER, ASSEMBLY,
NOSE GEAR

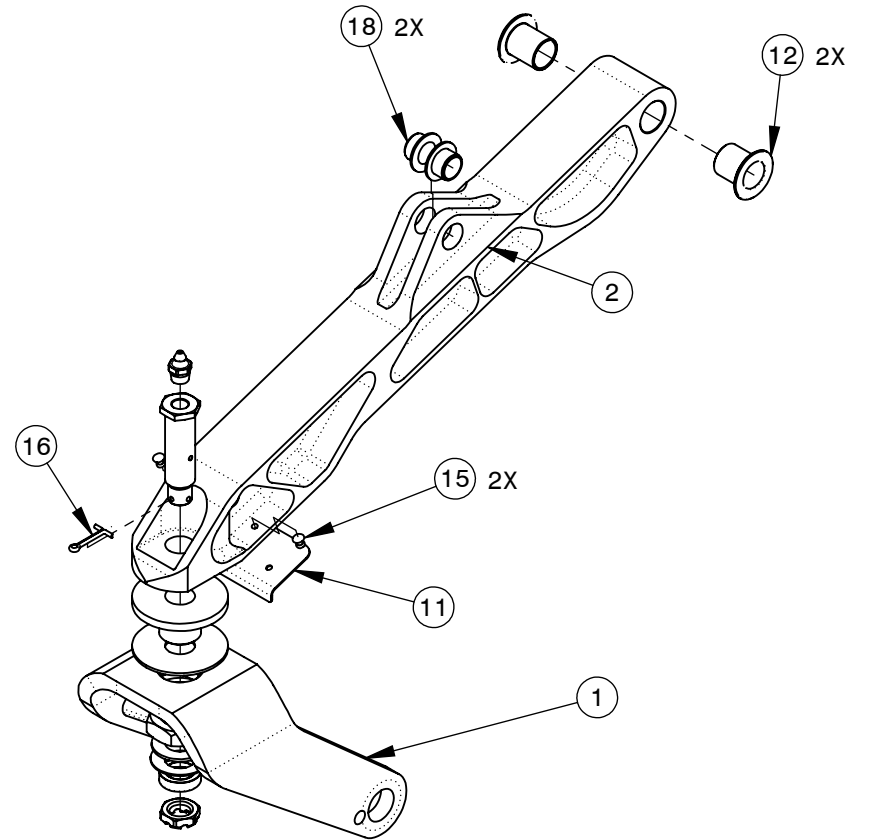
FILE NO.	15-CPL-42020	REV.	00
----------	--------------	------	----

CAD MODEL	15-42020-N	SHEET 2 OF 2
SERVICE MANUAL ILLUSTRATION/15-CPL-42020		

THE INFORMATION CONTAINED IN THIS DRAWING IS THE SOLE PROPERTY OF AEROCET, INC. ANY REPRODUCTION IN WHOLE OR IN PART WITHOUT THE WRITTEN PERMISSION OF AEROCET, INC. IS PROHIBITED.



SECTION A-A
SCALE 1 : 2



AEROCET, INC. RESERVES THE RIGHT TO CANCEL, ADD OR CHANGE PARTS SHOWN IN THIS FIGURE WITHOUT NOTICE.



CUSTOMER PARTS LIST
MODEL 1500 LOWER NOSE
GEAR ASSEMBLY

FILE NO.	15-CPL-42100	REV.	0
CAD MODEL	15-42100-C	SERVICE MANUAL ILLUSTRATION/15-CPL-42100	

THE INFORMATION CONTAINED IN THIS DRAWING IS THE SOLE PROPERTY OF AEROCET, INC. ANY REPRODUCTION IN WHOLE OR IN PART WITHOUT THE WRITTEN PERMISSION OF AEROCET, INC. IS PROHIBITED.

PARTS LIST FOR 15-42100 LOWER NOSE GEAR ASSEMBLY

ITEM NO.	QTY.	TYPE	PART NUMBER	DESCRIPTION
1	1	PART	15-42101	NOSE GEAR YOKE
2	1	PART	15-42104	GEAR ARM, LOWER NOSE LANDING GEAR
3	1	PART	15-42106	BEARING PLATE, LOWER NOSE GEAR
4	1	PART	15-42109	BUSHING, NOSE FORK
5	1	PART	15-42110	NUT, BUSHING
6	1	PART	15-42111	WASHER, SPACING
7	1	PART	15-42112	THRUST WASHER
8	1	PART	15-42113	WASHER, SHIM
9	1	PART	15-42114	PIVOT PIN, LOWER NOSE GEAR
10	1	PART	15-42115	DISC SPRING, 5/8" SHAFT
11	1	PART	15-42121	DEFLECTOR, LOWER NOSE GEAR
12	2	PART	15-42122	PLAIN BEARING, FLANGED, NOSE GEAR
13	1	PART	35-80003	STRAIGHT GREASE FITTING, 1/8-27 PTF THREADS
14	1	HRDWR	MS17826-8	NUT, SELF-LOCKING, CASTELLATED, NON-METALLIC INSERT
15	2	HRDWR	MS20470AD4-5	RIVET, SOLID, UNIVERSAL HEAD (LENGTH A/R)
16	1	HRDWR	MS24665-304	COTTER PIN
17	1	HRDWR	NAS1149C1063R	WASHER, FLAT
18	2	HRDWR	TFI-0809-06	PLAIN BEARING, FLANGED (iglide P/N)

AEROCET, INC. RESERVES THE RIGHT TO CANCEL, ADD OR CHANGE PARTS SHOWN IN THIS FIGURE WITHOUT NOTICE.

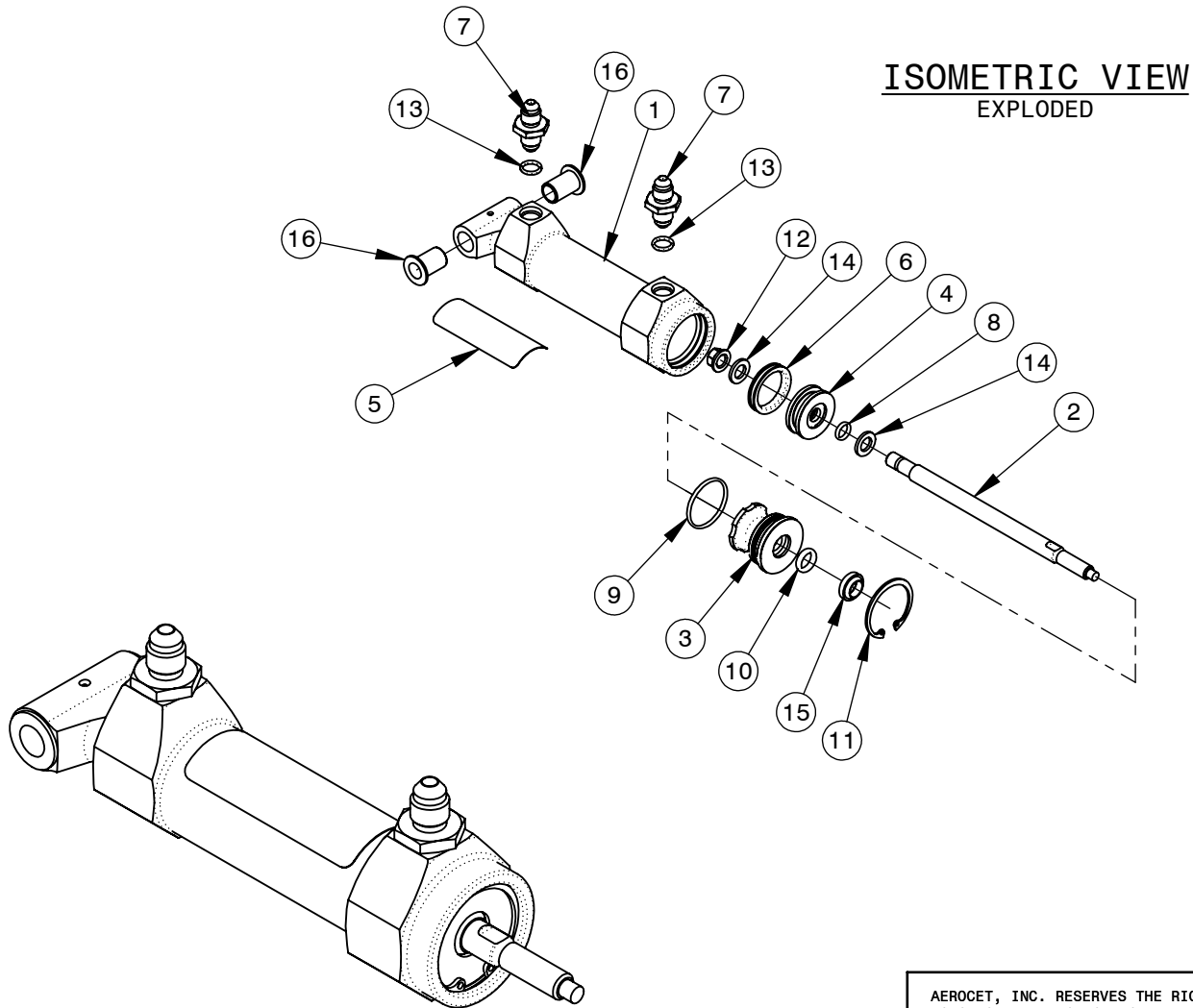


CUSTOMER PARTS LIST
MODEL 1500 LOWER NOSE
GEAR ASSEMBLY

FILE NO. **15-CPL-42100** REV. **0**

CAD MODEL 15-42100-C
SERVICE MANUAL ILLUSTRATION/15-CPL-42100 SHEET 2 OF 2

THE INFORMATION CONTAINED IN THIS DRAWING IS THE SOLE PROPERTY OF AEROCET, INC. ANY REPRODUCTION IN WHOLE OR IN PART WITHOUT THE WRITTEN PERMISSION OF AEROCET, INC. IS PROHIBITED.



ISOMETRIC VIEW
EXPLODED

ISOMETRIC VIEW
ASSEMBLED

AEROCET, INC. RESERVES THE RIGHT TO CANCEL, ADD OR CHANGE PARTS SHOWN IN THIS FIGURE WITHOUT NOTICE.



CUSTOMER PARTS LIST
ACTUATOR ASSEMBLY,
NOSE GEAR

FILE NO.	15-CPL-42300	REV.	0
CAD MODEL	15-42300-A	SERVICE MANUAL ILLUSTRATION/15-CPL-42300	
SHEET 1 OF 2			

THE INFORMATION CONTAINED IN THIS DRAWING IS THE SOLE PROPERTY OF AEROCET, INC. ANY REPRODUCTION IN WHOLE OR IN PART WITHOUT THE WRITTEN PERMISSION OF AEROCET, INC. IS PROHIBITED.

PARTS LIST FOR 15-42300 ACTUATOR ASSEMBLY, NOSE GEAR

ITEM NO.	QTY.	TYPE	PART NUMBER	DESCRIPTION
1	1	PART	15-42306	ACTUATOR CYLINDER, NOSE GEAR
2	1	PART	15-42360	ACTUATOR ROD, NOSE GEAR ASSEMBLY
3	1	PART	15-45409	CYLINDER HEAD, NOSE & MAIN GEAR ACTUATOR
4	1	PART	35A-45407	PISTON, MAIN GEAR ACTUATOR
5	1	PART	35A-45412	CAUTION PLACARD, HYDRAULIC ACTUATOR
6	1	HRDWR	4115B001TP013	PISTON T-SEAL (PARKER P/N)
7	2	HRDWR	AS5174D0404	UNION, FLARED TUBE (AN815-4D, OBS.)
8	1	HRDWR	M83461/1-011	O-RING (ALT. USE MS28775-011)
9	1	HRDWR	M83461/1-023	O-RING (ALT. USE MS28775-023)
10	1	HRDWR	M83461/1-110	O-RING (ALT. P/N USE MS28775-110)
11	1	HRDWR	MS16625-1131	RETAINING RING, INTERNAL, BASIC
12	1	HRDWR	MS21042-5	NUT, SELF-LOCKING
13	2	HRDWR	MS28778-4	O-RING, STRAIGHT THREAD TUBE FITTING BOSS
14	2	HRDWR	NAS1149F0563P	WASHER, FLAT
15	1	HRDWR	P4615A90 375SHD	WIPER RING, PARKER P/N, MOLYTHANE MATERIAL
16	2	HRDWR	TFI-0607-12	PLAIN BEARING, FLANGED (iglide P/N)

AEROCET, INC. RESERVES THE RIGHT TO CANCEL, ADD OR CHANGE PARTS SHOWN IN THIS FIGURE WITHOUT NOTICE.

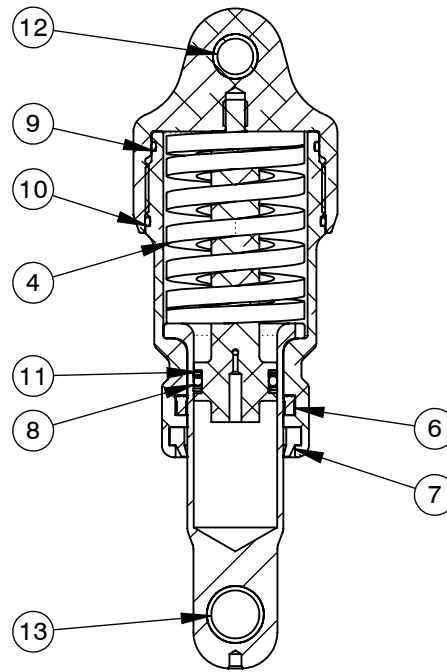
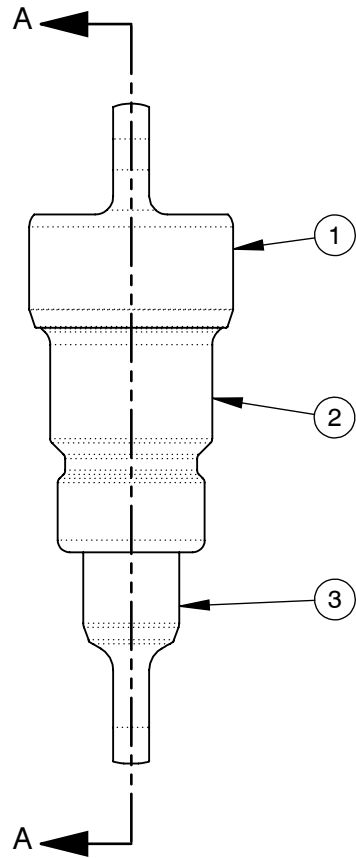


CUSTOMER PARTS LIST
ACTUATOR ASSEMBLY,
NOSE GEAR

FILE NO. **15-CPL-42300** REV. **0**

CAD MODEL 15-42300-A SERVICE MANUAL ILLUSTRATION/15-CPL-42300 SHEET 2 OF 2

THE INFORMATION CONTAINED IN THIS DRAWING IS THE SOLE PROPERTY OF AEROCET, INC. ANY REPRODUCTION IN WHOLE OR IN PART WITHOUT THE WRITTEN PERMISSION OF AEROCET, INC. IS PROHIBITED.



SECTION A-A
SCALE 1 : 2

AEROCET, INC. RESERVES THE RIGHT TO CANCEL, ADD OR CHANGE PARTS SHOWN IN THIS FIGURE WITHOUT NOTICE.



CUSTOMER PARTS LIST
OLEO ASSEMBLY, NOSE
GEAR

FILE NO. **15-CPL-42400** REV. **0**

CAD MODEL 15-42400-N
SERVICE MANUAL ILLUSTRATION/15-CPL-42400 SHEET 1 OF 2

THE INFORMATION CONTAINED IN THIS DRAWING IS THE SOLE PROPERTY OF AEROCET, INC. ANY REPRODUCTION IN WHOLE OR IN PART WITHOUT THE WRITTEN PERMISSION OF AEROCET, INC. IS PROHIBITED.

PARTS LIST FOR 15-42400 OLEO ASSEMBLY, NOSE GEAR

ITEM NO.	QTY	TYPE	PART NUMBER	DESCRIPTION
1	1	PART	15-42401	TOP CAP, NOSE GEAR OLEO
2	1	PART	15-42402	CYLINDER, NOSE GEAR OLEO
3	1	PART	15-42403	PISTON, NOSE GEAR OLEO
4	1	PART	15-42404	SPRING, NOSE GEAR OLEO
5	1	PART	15-42405	METERING SPINDLE, NOSE GEAR OLEO
6	1	HRDWR	4615-12501000-187B	POLYPAK SEAL, TYPE B, PARKER PN
7	1	HRDWR	4615-SHD-01000	ROD WIPER SEAL, PARKER P/N
8	1	HRDWR	M83461-1-115	O-RING (ALT. USE MS28775-115)
9	1	HRDWR	M83461/1-030	O-RING (ALT. USE MS28775-030)
10	1	HRDWR	M83461/1-031	O-RING (ALT. USE MS28775-031)
11	2	HRDWR	MS28782-13	BACKING RING
12	1	HRDWR	TSI-0607-06	IGLIDE T500, PLAIN BEARING (iglide P/N)
13	1	HRDWR	TSI-0809-06	IGLIDE T500, PLAIN BEARING (iglide P/N)

AEROCET, INC. RESERVES THE RIGHT TO CANCEL, ADD OR CHANGE PARTS SHOWN IN THIS FIGURE WITHOUT NOTICE.



CUSTOMER PARTS LIST
OLEO ASSEMBLY, NOSE
GEAR

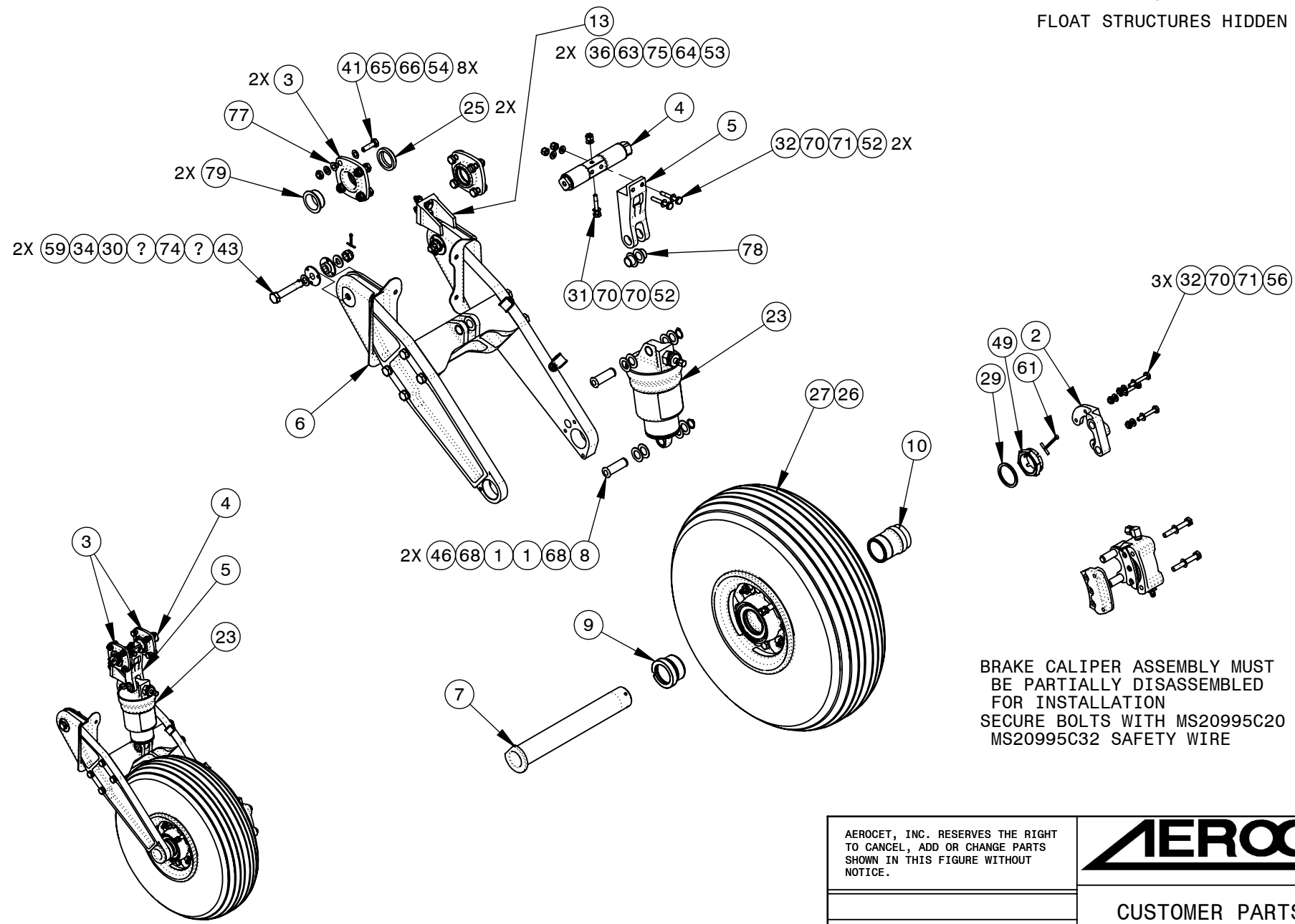
FILE NO. **15-CPL-42400** REV. **0**

CAD MODEL 15-42400-N
SERVICE MANUAL ILLUSTRATION/15-CPL-42400 SHEET 2 OF 2

THE INFORMATION CONTAINED IN THIS DRAWING IS THE SOLE PROPERTY OF AEROCET, INC. ANY REPRODUCTION IN WHOLE OR IN PART WITHOUT THE WRITTEN PERMISSION OF AEROCET, INC. IS PROHIBITED.

INTERNAL COMPONENTS, EXPLODED

FLOAT STRUCTURES HIDDEN



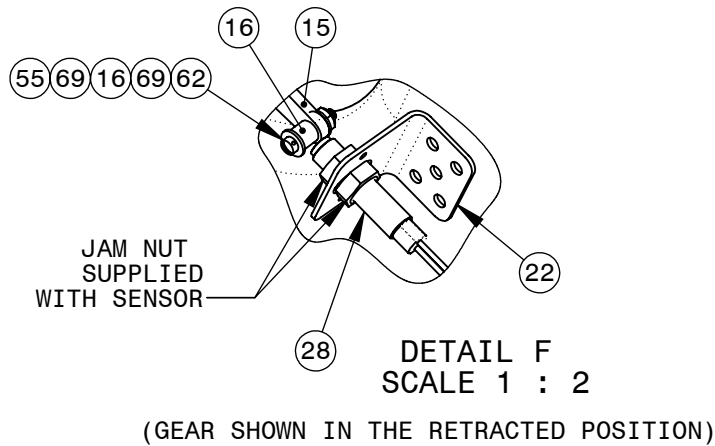
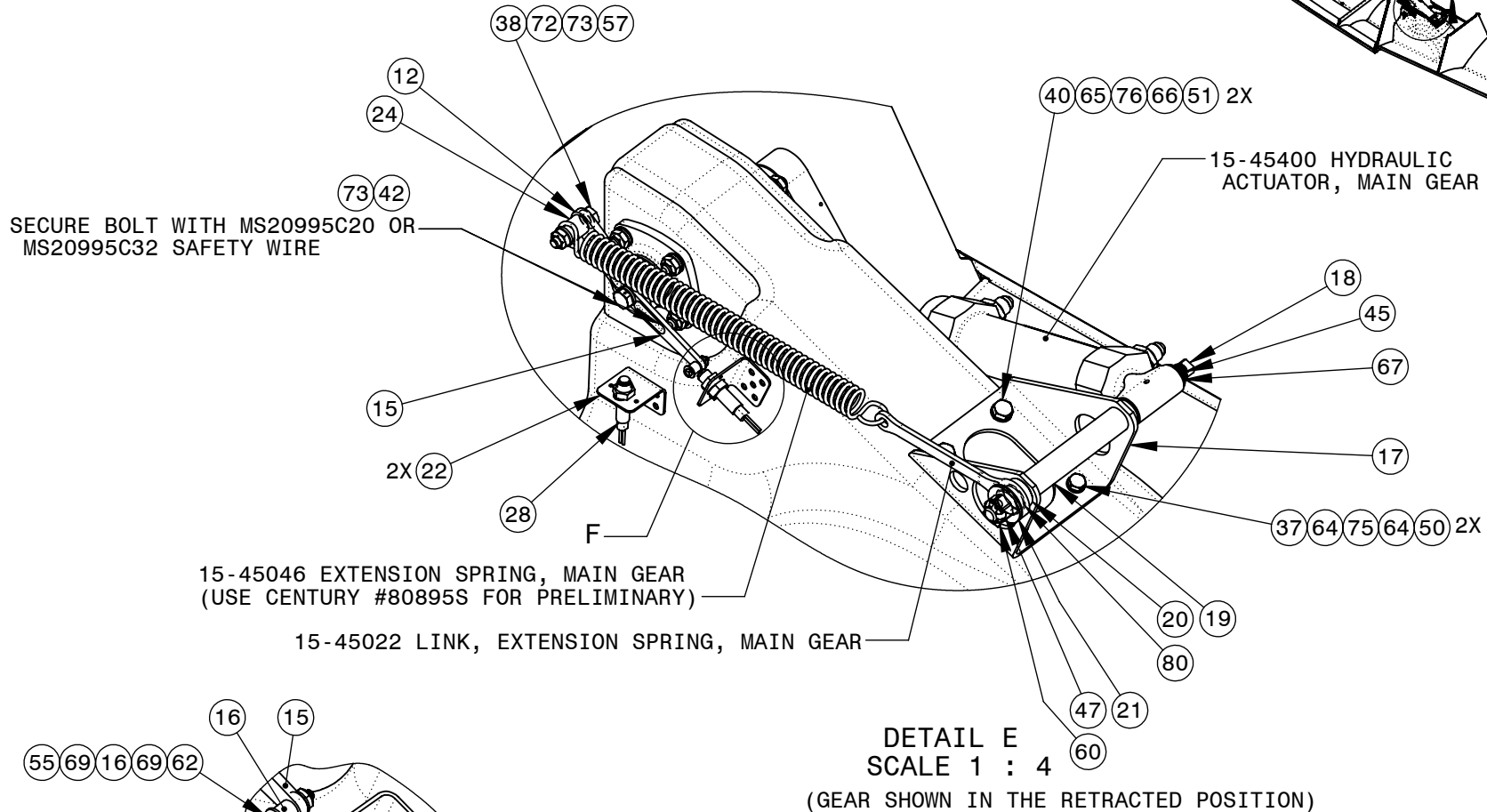
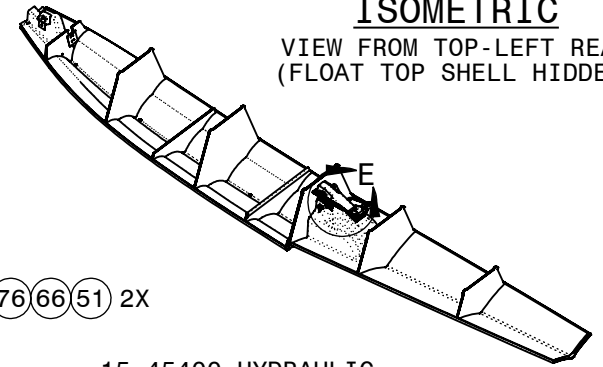
INTERNAL COMPONENTS, ASSEMBLED

AEROCET, INC. RESERVES THE RIGHT TO CANCEL, ADD OR CHANGE PARTS SHOWN IN THIS FIGURE WITHOUT NOTICE.	AEROCET INCORPORATED	
	CUSTOMER PARTS LIST MODEL 1500 MAIN GEAR ASSEMBLY	
FILE NO.	15-CPL-45000	REV. P01
CAD MODEL	15-45000-D	SHEET 1 OF 6
SERVICE MANUAL ILLUSTRATION/15-CPL-45000		

THE INFORMATION CONTAINED IN THIS DRAWING IS THE SOLE PROPERTY OF AEROCET, INC. ANY REPRODUCTION IN WHOLE OR IN PART WITHOUT THE WRITTEN PERMISSION OF AEROCET, INC. IS PROHIBITED.

ISOMETRIC

VIEW FROM TOP-LEFT REAR
(FLOAT TOP SHELL HIDDEN)



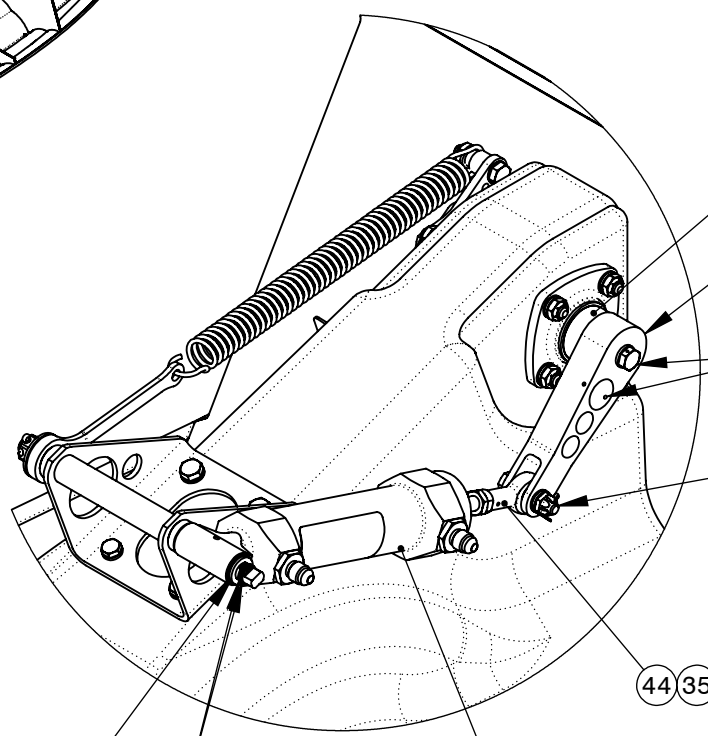
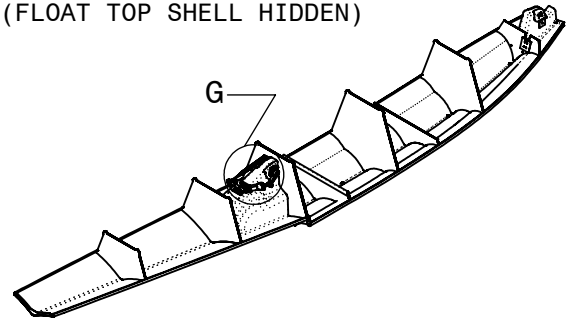
DETAIL E
SCALE 1 : 4
(GEAR SHOWN IN THE RETRACTED POSITION)

AEROCET, INC. RESERVES THE RIGHT TO CANCEL, ADD OR CHANGE PARTS SHOWN IN THIS FIGURE WITHOUT NOTICE.	AEROCET INCORPORATED	
	CUSTOMER PARTS LIST MODEL 1500 MAIN GEAR ASSEMBLY	
	FILE NO.	15-CPL-45000
	CAD MODEL	15-45000-D SERVICE MANUAL ILLUSTRATION/15-CPL-45000
	REV.	P01
		SHEET 2 OF 6

THE INFORMATION CONTAINED IN THIS DRAWING IS THE SOLE PROPERTY OF AEROCET, INC. ANY REPRODUCTION IN WHOLE OR IN PART WITHOUT THE WRITTEN PERMISSION OF AEROCET, INC. IS PROHIBITED.

ISOMETRIC

VIEW FROM TOP-RIGHT REAR
(FLOAT TOP SHELL HIDDEN)



(42)(73)
SECURE BOLT WITH MS20995C20 OR
MS20995C32 SAFETY WIRE

(39)(72)(76)(76)(73)(33)(58)
NOTE BOLT ORIENTATION
TO ASSURE CLEARANCES

15-45400 HYDRAULIC
ACTUATOR, MAIN GEAR

DETAIL G
SCALE 1 : 4

(GEAR SHOWING IN THE RETRACTED POSITION)

AEROCET, INC. RESERVES THE RIGHT
TO CANCEL, ADD OR CHANGE PARTS
SHOWN IN THIS FIGURE WITHOUT
NOTICE.



CUSTOMER PARTS LIST
MODEL 1500 MAIN GEAR
ASSEMBLY

FILE NO. 15-CPL-45000 REV. P01

CAD MODEL 15-45000-D
SERVICE MANUAL ILLUSTRATION/15-CPL-45000 SHEET 3 OF 6

THE INFORMATION CONTAINED IN THIS DRAWING IS THE SOLE PROPERTY OF AEROCET, INC. ANY REPRODUCTION IN WHOLE OR IN PART WITHOUT THE WRITTEN PERMISSION OF AEROCET, INC. IS PROHIBITED.

PARTS LIST FOR 15-45000 MAIN GEAR ASSEMBLY

ITEM NO.	QTY.	TYPE	PART NUMBER	DESCRIPTION
1	4	PART	15-22102	WASHER, FLAT, PLASTIC, Ø1/2
2	1	PART	15-45005	BRAKE MOUNT, AEROCET MODEL 1500 FLOATS
3	2	PART	15-45006	UPPER MAIN LANDING GEAR MOUNT
4	1	PART	15-45007	TORQUE TUBE, UPPER MAIN LANDING GEAR
5	1	PART	15-45008	UPPER MAIN LANDING GEAR LINK
6	1	PART	15-45010	GEAR TRUCK ATTACHMENT HOUSING, MAIN GEAR
7	1	PART	15-45011	AXLE, MAIN LANDING GEAR
8	2	PART	15-45013	PIN, MAIN GEAR
9	1	ASSY	15-45015-1	BUSHING, TENSIONER, SLEEVED, ASSEMBLY, NON-BRAKE SIDE, MAIN GEAR
10	1	ASSY	15-45015-2	BUSHING, TENSIONER, SLEEVED, ASSEMBLY, BRAKE SIDE, MAIN GEAR
11	1	PART	15-45020	ACTUATOR ARM, UPPER MAIN LANDING GEAR
12	1	PART	15-45021	EXTENSION SPRING ARM, UPPER MAIN LANDING GEAR ASSEMBLY
13	1	PART	15-45023	STOP BRACKET, MAIN LANDING GEAR
14	1	PART	15-45024	SPACER, ACTUATOR SIDE, UPPER MAIN LANDING GEAR
15	1	PART	15-45027	MAGNET CARRIER ARM, MAIN GEAR
16	1	PART	15-45028	MAGNET, RING STYLE
17	1	PART	15-45031	BRACKET, MAIN ACTUATOR SUPPORT ASSEMBLY
18	1	PART	15-45032	SHAFT, MAIN ACTUATOR SUPPORT
19	1	PART	15-45033	SPACER, MAIN ACTUATOR SUPPORT ASSEMBLY
20	1	PART	15-45034	BUSHING, MAIN ACTUATOR SUPPORT ASSEMBLY
21	1	PART	15-45039	WASHER, FLAT, LARGE AREA, MAIN GEAR ASSEMBLY
22	2	PART	15-45040	BRACKET, MAIN GEAR SENSOR MOUNTING
23	1	ASSY	15-45200	OLEO ASSEMBLY, MAIN GEAR
24	1	PART	35A-45035	SPRING BUSHING
25	2	HRDWR	4615-SHD-01000	ROD WIPER SEAL, PARKER P/N
26	1	HRDWR	5.00-5	TIRE TUBE [TR67(A) VALVE STEM]
27	1	HRDWR	5.00-5 6 PLY	TIRE PER FAA APPROVED TSO-C62
28	2	HRDWR	59060-1-T-03-A	PROXIMITY SENSOR, MAGNETIC REED, STAINLESS STEEL
29	1	PART	65-42117	WASHER
30	2	HRDWR	750-0000-3/8	THRED-SEAL (PARKER)

AEROCET, INC. RESERVES THE RIGHT TO CANCEL, ADD OR CHANGE PARTS SHOWN IN THIS FIGURE WITHOUT NOTICE.



CUSTOMER PARTS LIST
MODEL 1500 MAIN GEAR
ASSEMBLY

FILE NO. **15-CPL-45000** REV. P01

CAD MODEL 15-45000-D SERVICE MANUAL ILLUSTRATION/15-CPL-45000 SHEET 4 OF 6

THE INFORMATION CONTAINED IN THIS DRAWING IS THE SOLE PROPERTY OF AEROCET, INC. ANY REPRODUCTION IN WHOLE OR IN PART WITHOUT THE WRITTEN PERMISSION OF AEROCET, INC. IS PROHIBITED.

PARTS LIST FOR 15-45000 MAIN GEAR ASSEMBLY

ITEM NO.	QTY.	TYPE	PART NUMBER	DESCRIPTION
31	1	HRDWR	AN3-12A	BOLT - MACHINE, AIRCRAFT
32	5	HRDWR	AN3-13A	BOLT - MACHINE, AIRCRAFT
33	1	HRDWR	AN310-4	NUT, CASTELLATED
34	2	HRDWR	AN310C6	NUT, CASTELLATED, STAINLESS
35	1	HRDWR	AN316-5R	JAM NUT, RIGHT HAND THREADS
36	2	HRDWR	AN3C11A	BOLT - MACHINE, AIRCRAFT, STAINLESS
37	2	HRDWR	AN3C5A	BOLT - MACHINE, AIRCRAFT, STAINLESS
38	1	HRDWR	AN4-11A	BOLT - MACHINE, AIRCRAFT
39	1	HRDWR	AN4-12	BOLT - MACHINE, AIRCRAFT
40	2	HRDWR	AN4C5A	BOLT - MACHINE, AIRCRAFT, STAINLESS
41	8	HRDWR	AN4CXXX	BOLT - MACHINE, AIRCRAFT, STAINLESS
42	2	HRDWR	AN4H5A	BOLT - MACHINE, AIRCRAFT
43	2	HRDWR	AN6C20	BOLT - MACHINE, AIRCRAFT
44	1	HRDWR	M81935/2-04	ROD END, FEMALE
45	2	HRDWR	MS16624-4037	RETAINING RING, EXTERNAL
46	2	HRDWR	MS16624-4050	RETAINING RING, EXTERNAL
47	1	HRDWR	MS17825-6	NUT, SELF-LOCKING, CASTELLATED, NON-METALLIC INSERT
48	1	BULK	MS20995C20	SAFETY WIRE, Ø.020, STAINLESS
49	1	HRDWR	MS21025-20	NUT, CASTELLATED, HEXAGON
50	2	HRDWR	MS21044C3	NUT, SELF-LOCKING, REGULAR HEIGHT, STAINLESS
51	2	HRDWR	MS21044C4	NUT, SELF-LOCKING, STAINLESS
52	3	HRDWR	MS21044N3	NUT, SELF-LOCKING, REGULAR HEIGHT
53	2	HRDWR	MS21083C3	NUT, SELF-LOCKING, LOW HEIGHT, STAINLESS
54	8	HRDWR	MS21083C4	NUT, SELF-LOCKING, LOW-HEIGHT, STAINLESS
55	1	HRDWR	MS21083N04	NUT, SELF-LOCKING, LOW-HEIGHT
56	3	HRDWR	MS21083N3	NUT, SELF-LOCKING, LOW-HEIGHT
57	1	HRDWR	MS21083N4	NUT, SELF-LOCKING, LOW HEIGHT
58	1	HRDWR	MS24665-153	COTTER PIN
59	2	HRDWR	MS24665-300	COTTER PIN
60	1	HRDWR	MS24665-300	COTTER PIN

AEROCET, INC. RESERVES THE RIGHT TO CANCEL, ADD OR CHANGE PARTS SHOWN IN THIS FIGURE WITHOUT NOTICE.



CUSTOMER PARTS LIST
MODEL 1500 MAIN GEAR
ASSEMBLY

FILE NO.	15-CPL-45000	REV. P01
CAD MODEL	15-45000-D	
SERVICE MANUAL ILLUSTRATION/15-CPL-45000		

THE INFORMATION CONTAINED IN THIS DRAWING IS THE SOLE PROPERTY OF AEROCET, INC. ANY REPRODUCTION IN WHOLE OR IN PART WITHOUT THE WRITTEN PERMISSION OF AEROCET, INC. IS PROHIBITED.

PARTS LIST FOR 15-45000 MAIN GEAR ASSEMBLY

ITEM NO.	QTY.	TYPE	PART NUMBER	DESCRIPTION
61	1	HRDWR	MS24665-362	COTTER PIN
62	1	HRDWR	MS35275-218	MACHINE SCREW, DRILLED PHILLISTER HEAD
63	2	HRDWR	NAS1149C0363R	WASHER, FLAT, STAINLESS
64	6	HRDWR	NAS1149C0363R	WASHER, FLAT, STAINLESS
65	10	HRDWR	NAS1149C0416R	WASHER, FLAT, STAINLESS
66	10	HRDWR	NAS1149C0463R	WASHER, FLAT, STAINLESS
67	1	HRDWR	NAS1149C0663R	WASHER, FLAT, STAINLESS
68	4	HRDWR	NAS1149C0832R	WASHER, FLAT, STAINLESS
69	2	HRDWR	NAS1149CN432R	WASHER, FLAT, STAINLESS
70	7	HRDWR	NAS1149D0316K	WASHER, FLAT
71	5	HRDWR	NAS1149D0363K	WASHER, FLAT
72	2	HRDWR	NAS1149D0416K	WASHER, FLAT
73	4	HRDWR	NAS1149D0463K	WASHER, FLAT
74	2	HRDWR	NAS1523AA6B	STAT-O-SEAL (ALT. USE 600-015-3/8 PARKER P/N)(OR USE NAS1523AA6F)
75	4	HRDWR	TFI-0304-04	PLAIN BEARING, FLANGED (iglide P/N)
76	4	HRDWR	TFI-0405-03	PLAIN BEARING, FLANGED (iglide P/N)
77	8	HRDWR	TFI-0405-04	PLAIN BEARING, FLANGED (iglide P/N)
78	2	HRDWR	TFI-0809-06	PLAIN BEARING, FLANGED (iglide P/N)
79	2	HRDWR	TFI-1618-08	PLAIN BEARING, FLANGED (iglide P/N)
80	1	HRDWR	TSI-1011-04	IGLIDE T500, PLAIN BEARING (iglide P/N)
81	1	ASSY	15-45100	TRUCK ASSEMBLY, MAIN LANDING GEAR
82	1	ASSY	15-51550	BRAKE CALIPER ASSEMBLY, 1430 GW RATING
83	1	ASSY	15-51070	5.00-5 MAIN WHEEL ASSEMBLY, AEROCET MODEL 1500 FLOATS
84	1	ASSY	15-45400	ACTUATOR CYLINDER, MAIN GEAR
85	1	PART	15-45022	LINK, EXTENSION SPRING, MAIN GEAR
86	1	PART	15-45046	EXTENSION SPRING, MAIN GEAR
87	4	PART	15-45041	TRUCK ATTACHMENT HOUSING, REINFORCEMENT BUSHING

AEROCET, INC. RESERVES THE RIGHT TO CANCEL, ADD OR CHANGE PARTS SHOWN IN THIS FIGURE WITHOUT NOTICE.



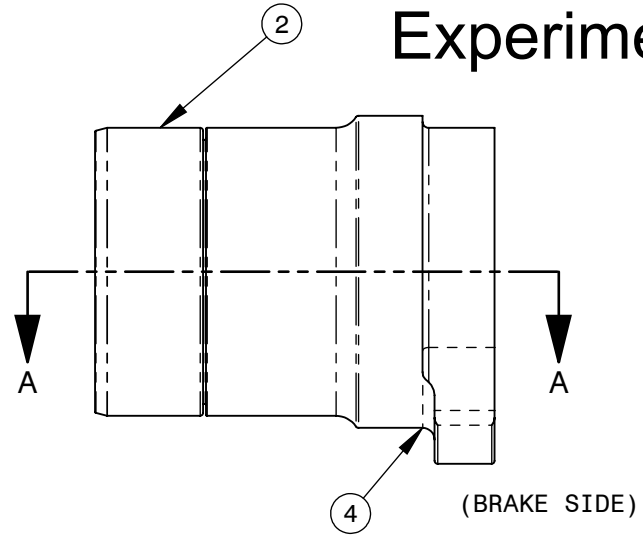
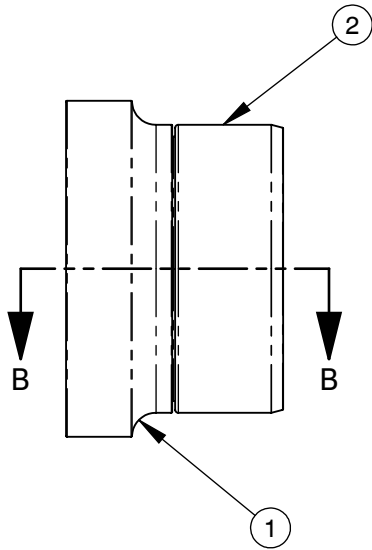
CUSTOMER PARTS LIST
MODEL 1500 MAIN GEAR
ASSEMBLY

FILE NO. **15-CPL-45000** REV. P01

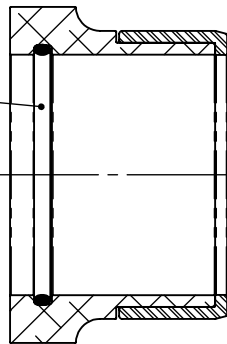
CAD MODEL 15-45000-D
SERVICE MANUAL ILLUSTRATION/15-CPL-45000 SHEET 6 OF 6

THE INFORMATION CONTAINED IN THIS DRAWING IS THE SOLE PROPERTY OF AEROCET, INC. ANY REPRODUCTION IN WHOLE OR IN PART WITHOUT THE WRITTEN PERMISSION OF AEROCET, INC. IS PROHIBITED.

Experimental Only

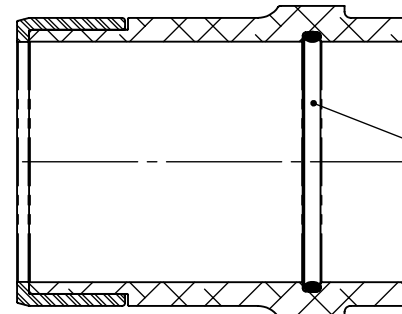


M83461/1-026



SECTION B-B

M83461/1-026



SECTION A-A

AEROCET, INC. RESERVES THE RIGHT TO CANCEL, ADD OR CHANGE PARTS SHOWN IN THIS FIGURE WITHOUT NOTICE.



CUSTOMER PARTS LIST
MODEL 1500 BUSHING,
TENSIONER, ASSEMBLY

FILE NO. 15-CPL-45015 REV. 0

CAD MODEL 15-45015-1-N SERVICE MANUAL ILLUSTRATION/15-CPL-45015 SHEET 1 OF 2

THE INFORMATION CONTAINED IN THIS DRAWING IS THE SOLE PROPERTY OF AEROCET, INC. ANY REPRODUCTION IN WHOLE OR IN PART WITHOUT THE WRITTEN PERMISSION OF AEROCET, INC. IS PROHIBITED.

ITEM NO.	-2/QTY	-1/QTY	TYPE	PART NUMBER	DESCRIPTION
1	-	1	PART	15-45016-1	BUSHING, TENSIONER, SLEEVED, NON-BRAKE SIDE, MAIN GEAR ASSEMBLY
2	1	1	PART	15-45017	TENSIONER SLEEVE, STAINLESS, MAIN GEAR ASSEMBLY
3	1	1	HRDWR	M83461/1-026	O-RING (ALT. USE MS28775-026)
4	1	-	PART	15-45016-2	BUSHING, TENSIONER, SLEEVED, BRAKE SIDE, MAIN GEAR ASSEMBLY

NOTES:

1. GET REPLACEMENT AS AN ASSEMBLY ONLY, OR REPALACE YOUR ORINGS.

Experimental Only

AEROCET, INC. RESERVES THE RIGHT TO CANCEL, ADD OR CHANGE PARTS SHOWN IN THIS FIGURE WITHOUT NOTICE.

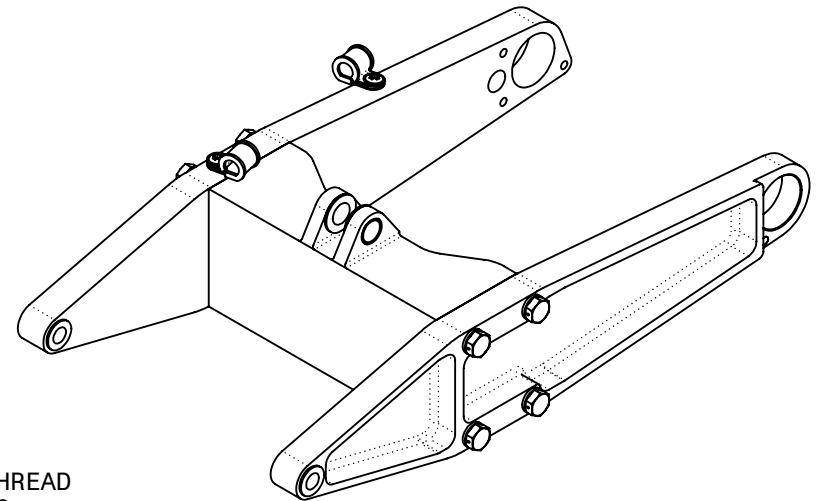
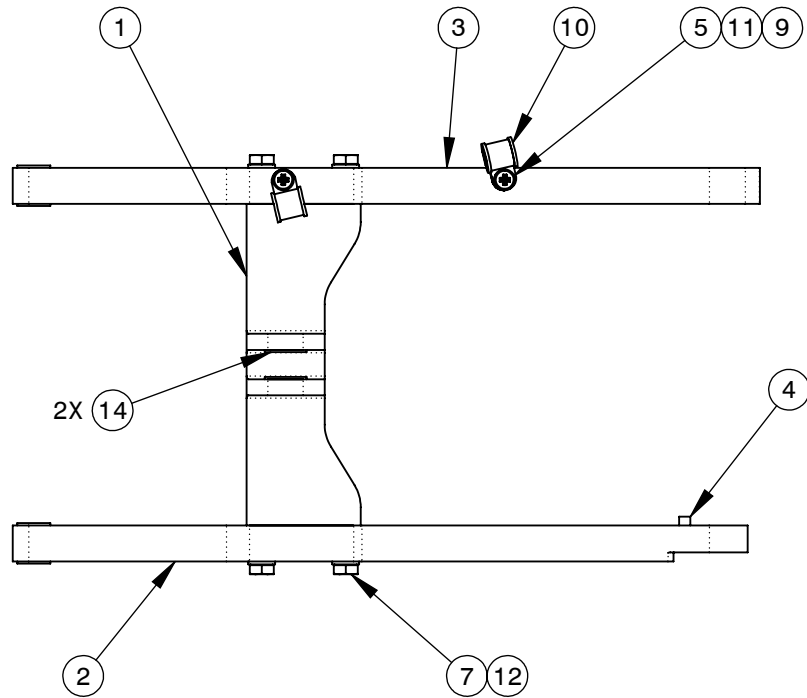


CUSTOMER PARTS LIST
MODEL 1500 BUSHING,
TENSIONER, ASSEMBLY

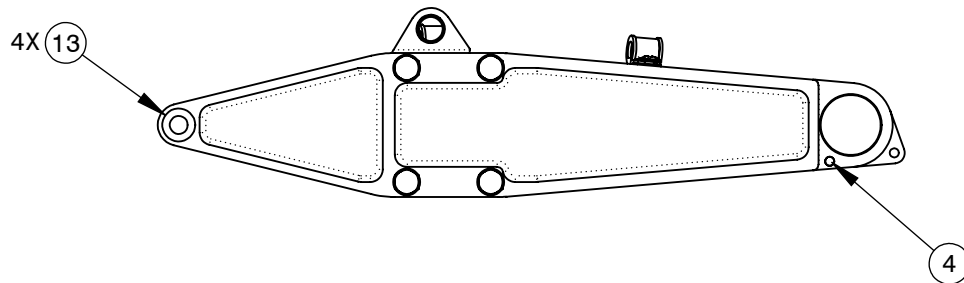
FILE NO. **15-CPL-45015** REV. 0

CAD MODEL 15-45015-1-N
SERVICE MANUAL ILLUSTRATION/15-CPL-45015 SHEET 2 OF 2

THE INFORMATION CONTAINED IN THIS DRAWING IS THE SOLE PROPERTY OF AEROCET, INC. ANY REPRODUCTION IN WHOLE OR IN PART WITHOUT THE WRITTEN PERMISSION OF AEROCET, INC. IS PROHIBITED.



APPLY OPTIONAL LOCTITE 222 THREAD
 LOCKER OR EQUIVALENT PER MFG
 INSTRUCTIONS
 TORQUE: 85-100 IN-LBS
 SECURE ALL USING MS20995C20
 SAFETY WIRE



AEROCET, INC. RESERVES THE RIGHT TO CANCEL, ADD OR CHANGE PARTS SHOWN IN THIS FIGURE WITHOUT NOTICE.		AEROCET INCORPORATED	
		CUSTOMERS PARTS LIST MODEL 1500 LOWER MAIN GEAR ASSEMBLY	
FILE NO.	15-CPL-45100	REV.	0
CAD MODEL	15-45100-A	SERVICE MANUAL ILLUSTRATION/15-CPL-45100	
		SHEET 1 OF 2	

PARTS LIST FOR 15-45100 LOWER MAIN GEAR ASSEMBLY

ITEM NO.	Default /QTY	TYPE	PART NUMBER	DESCRIPTION
1	1	PART	15-45101	TRUSS, TRUCK ASSEMBLY, MAIN LANDING GEAR
2	1	PART	15-45104-1	ARM, LHS, TRUCK ASSEMBLY, MAIN LANDING GEAR
3	1	PART	15-45104-2	ARM, RHS, TRUCK ASSEMBLY, MAIN LANDING GEAR
4	1	PART	15-45105	LOCKPIN, MAIN LANDING GEAR
5	1	HRDWR	AN525-10R10	WASHER HEAD SCREW
6	1	HRDWR	AN525-10R16	WASHER HEAD SCREW
7	8	HRDWR	AN5H11A	BOLT - MACHINE, AIRCRAFT
8	1	BULK	MS20995C20	SAFETY WIRE, Ø.020, STAINLESS
9	2	HRDWR	MS21083N3	NUT, SELF-LOCKING, LOW-HEIGHT
10	2	HRDWR	MS21919WDG4	WEDGE CLAMP
11	2	HRDWR	NAS1149D0363K	WASHER, FLAT
12	8	HRDWR	NAS1149D0563K	WASHER, FLAT
13	4	HRDWR	TFI-0607-06	PLAIN BEARING, FLANGED (iglide P/N)
14	2	HRDWR	TFI-0809-06	PLAIN BEARING, FLANGED (iglide P/N)

AEROCET, INC. RESERVES THE RIGHT TO CANCEL, ADD OR CHANGE PARTS SHOWN IN THIS FIGURE WITHOUT NOTICE.

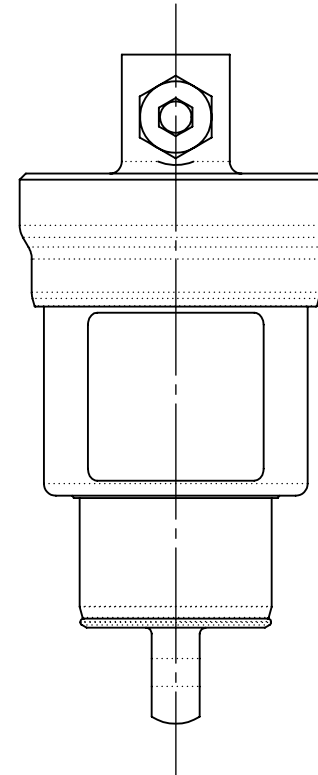
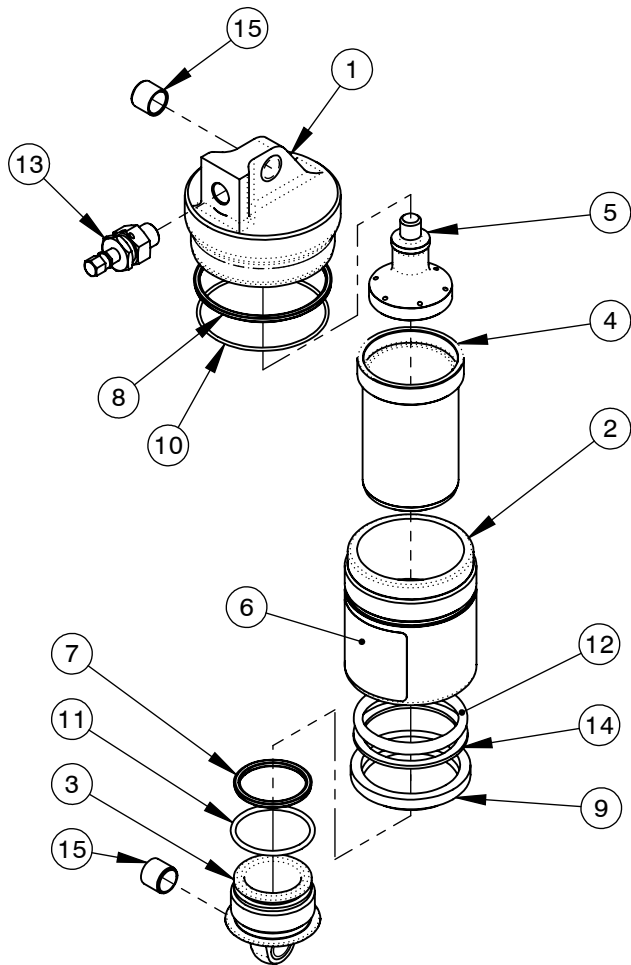



CUSTOMERS PARTS LIST
MODEL 1500 LOWER MAIN
GEAR ASSEMBLY

FILE NO. **15-CPL-45100** REV. **0**

CAD MODEL 15-45100-A
SERVICE MANUAL ILLUSTRATION/15-CPL-45100 SHEET 2 OF 2

THE INFORMATION CONTAINED IN THIS DRAWING IS THE SOLE PROPERTY OF AEROCET, INC. ANY REPRODUCTION IN WHOLE OR IN PART WITHOUT THE WRITTEN PERMISSION OF AEROCET, INC. IS PROHIBITED.



<p>AEROCET, INC. RESERVES THE RIGHT TO CANCEL, ADD OR CHANGE PARTS SHOWN IN THIS FIGURE WITHOUT NOTICE.</p>			
	<p>CUSTOMER PARTS LIST OLEO ASSEMBLY, MAIN GEAR</p>		
	FILE NO.	15-CPL-45200	REV. 0
	CAD MODEL	15-45200-A	
	SERVICE MANUAL ILLUSTRATION/15-CPL-45200		SHEET 1 OF 2

THE INFORMATION CONTAINED IN THIS DRAWING IS THE SOLE PROPERTY OF AEROCET, INC. ANY REPRODUCTION IN WHOLE OR IN PART WITHOUT THE WRITTEN PERMISSION OF AEROCET, INC. IS PROHIBITED.

PARTS LIST FOR 15-45200 OLEO ASSEMBLY, MAIN GEAR

ITEM NO.	QTY	TYPE	PART NUMBER	DESCRIPTION
1	1	PART	15-45201	TOP CAP, OLEO ASSEMBLY, MAIN GEAR
2	1	PART	15-45202	CYLINDER, OLEO ASSEMBLY, MAIN GEAR
3	1	PART	15-45203	BOTTOM CAP, OLEO ASSEMBLY, MAIN GEAR
4	1	PART	15-45204	PISTON, OLEO ASSEMBLY, MAIN GEAR
5	1	PART	15-45205	METERING PISTON, OLEO ASSEMBLY, MAIN GEAR
6	1	PART	15-45250	PLACARD, OLEO, MAIN GEAR ASSEMBLY
7	1	HRDWR	4615-12501375	POLYPAK SEAL, STD, PARKER P/N
8	1	HRDWR	4615-12502625	POLYPAK SEAL, STD, PARKER P/N
9	1	HRDWR	4615-SHD-02000	ROD WIPER SEAL, PARKER PN
10	1	HRDWR	M83461/1-038	O-RING (ALT. USE MS28775-038)
11	1	HRDWR	M83461/1-129	O-RING (ALT. USE MS28775-129)
12	1	HRDWR	M83461/1-329	O-RING (ALT. USE MS28775-329)
13	1	HRDWR	MS28889-2	HIGH PRESSURE CHARGING VALVE
14	1	HRDWR	N1444-90 8-329	BACK-UP RING, (PARKER PN)
15	2	HRDWR	TSI-0809-08	IGLIDE T500, PLAIN BEARING (iglide P/N)

AEROCET, INC. RESERVES THE RIGHT TO CANCEL, ADD OR CHANGE PARTS SHOWN IN THIS FIGURE WITHOUT NOTICE.

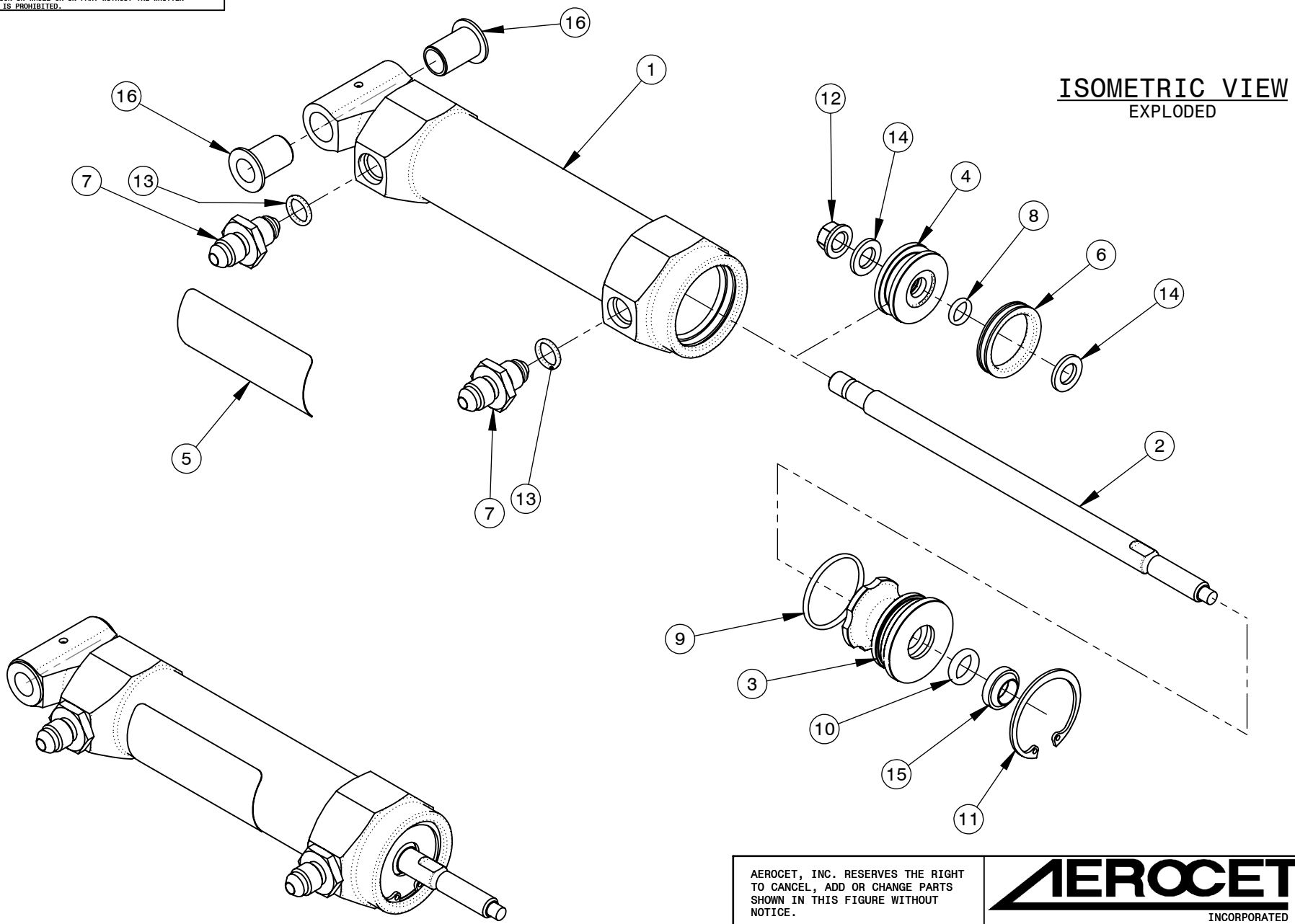


CUSTOMER PARTS LIST
OLEO ASSEMBLY, MAIN
GEAR

FILE NO. **15-CPL-45200** REV. **0**

CAD MODEL 15-45200-A
SERVICE MANUAL ILLUSTRATION/15-CPL-45200 SHEET 2 OF 2

THE INFORMATION CONTAINED IN THIS DRAWING IS THE SOLE PROPERTY OF AEROCET, INC. ANY REPRODUCTION IN WHOLE OR IN PART WITHOUT THE WRITTEN PERMISSION OF AEROCET, INC. IS PROHIBITED.



ISOMETRIC VIEW
EXPLODED

ISOMETRIC VIEW
ASSEMBLED

AEROCET, INC. RESERVES THE RIGHT TO CANCEL, ADD OR CHANGE PARTS SHOWN IN THIS FIGURE WITHOUT NOTICE.



CUSTOMER PARTS LIST
ACTUATOR ASSEMBLY,
MAIN GEAR

FILE NO.	15-CPL-45400	REV.	0
CAD MODEL	15-45400-A		
SERVICE MANUAL ILLUSTRATION/15-CPL-45400		SHEET 1 OF 2	

PARTS LIST FOR 15-45400 ACTUATOR ASSEMBLY, MAIN GEAR

ITEM NO.	QTY.	TYPE	PART NUMBER	DESCRIPTION
1	1	PART	15-45401	ACTUATOR CYLINDER, MAIN GEAR ACTUATOR
2	1	PART	15-45402	ACTUATOR ROD, MAIN GEAR ACTUATOR
3	1	PART	15-45409	CYLINDER HEAD, NOSE & MAIN GEAR ACTUATOR
4	1	PART	35A-45407	PISTON, MAIN GEAR ACTUATOR
5	1	PART	35A-45412	CAUTION PLACARD, HYDRAULIC ACTUATOR
6	1	HRDWR	4115B001TP013	PISTON T-SEAL (PARKER P/N)
7	2	HRDWR	AS5174D0404	UNION, FLARED TUBE (AN815-4D, OBS.)
8	1	HRDWR	M83461/1-011	O-RING (ALT. USE MS28775-011)
9	1	HRDWR	M83461/1-023	O-RING (ALT. USE MS28775-023)
10	1	HRDWR	M83461/1-110	O-RING (ALT. P/N USE MS28775-110)
11	1	HRDWR	MS16625-1131	RETAINING RING, INTERNAL, BASIC
12	1	HRDWR	MS21042-5	NUT, SELF-LOCKING
13	2	HRDWR	MS28778-4	O-RING, STRAIGHT THREAD TUBE FITTING BOSS
14	2	HRDWR	NAS1149F0563P	WASHER, FLAT
15	1	HRDWR	P4615A90 375SHD	WIPER RING, PARKER P/N, MOLYTHANE MATERIAL
16	2	HRDWR	TFI-0607-12	PLAIN BEARING, FLANGED (iglide P/N)

AEROCET, INC. RESERVES THE RIGHT TO CANCEL, ADD OR CHANGE PARTS SHOWN IN THIS FIGURE WITHOUT NOTICE.

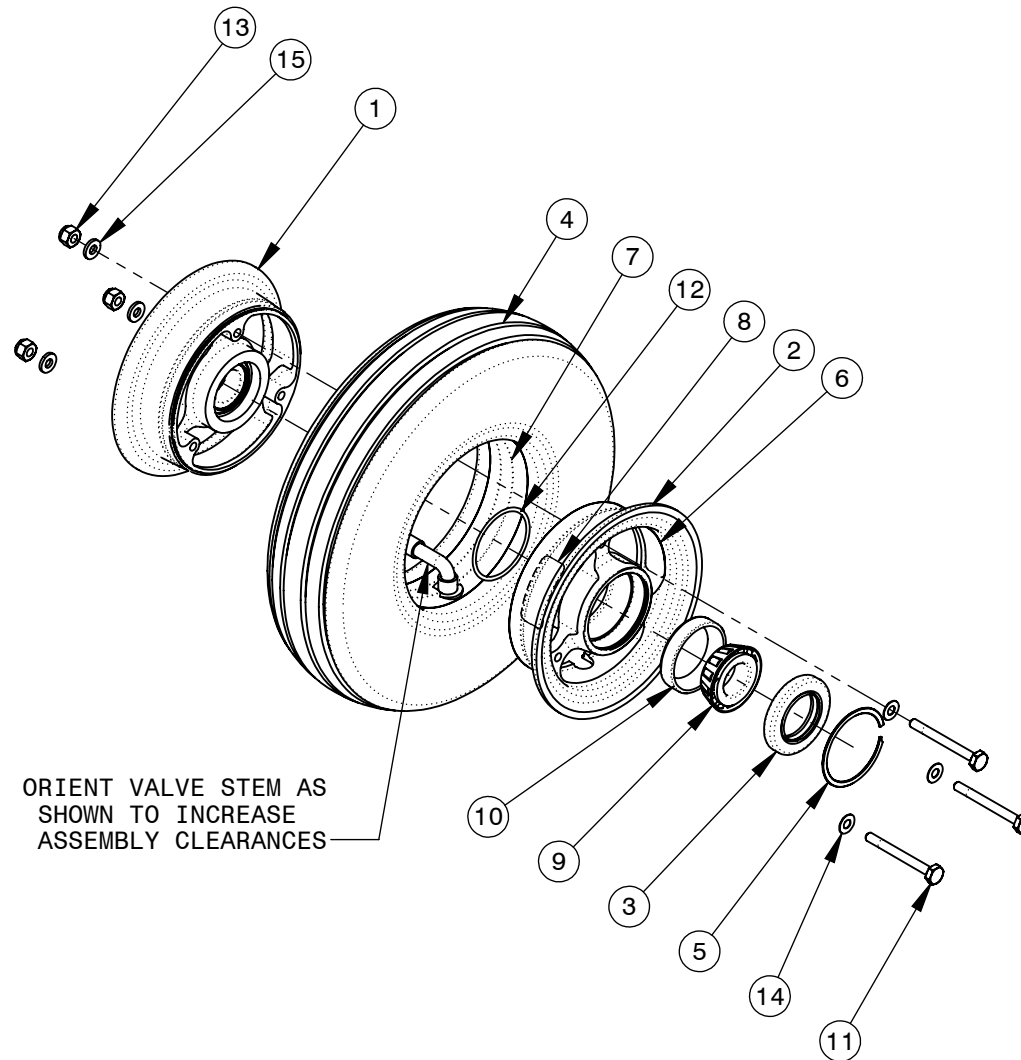


CUSTOMER PARTS LIST
ACTUATOR ASSEMBLY,
MAIN GEAR

FILE NO. **15-CPL-45400** REV. **0**

CAD MODEL 15-45400-A
SERVICE MANUAL ILLUSTRATION/15-CPL-45400 SHEET 2 OF 2

THE INFORMATION CONTAINED IN THIS DRAWING IS THE SOLE PROPERTY OF AEROCET, INC. ANY REPRODUCTION IN WHOLE OR IN PART WITHOUT THE WRITTEN PERMISSION OF AEROCET, INC. IS PROHIBITED.



ORIENT VALVE STEM AS SHOWN TO INCREASE ASSEMBLY CLEARANCES

AEROCET, INC. RESERVES THE RIGHT TO CANCEL, ADD OR CHANGE PARTS SHOWN IN THIS FIGURE WITHOUT NOTICE.

AEROCET INCORPORATED	
CUSTOMER PART LIST MODEL 1500 FLOAT WHEEL ASSEMBLY NOSE GEAR	
FILE NO.	15-CPL-51040
	REV. 0
CAD MODEL	15-51040-N
SERVICE MANUAL ILLUSTRATION/15-CPL-51040	

THE INFORMATION CONTAINED IN THIS DRAWING IS THE SOLE PROPERTY OF AEROCET, INC. ANY REPRODUCTION IN WHOLE OR IN PART WITHOUT THE WRITTEN PERMISSION OF AEROCET, INC. IS PROHIBITED.

PARTS LIST FOR 15-51040 WHEEL ASSEMBLY, NOSE GEAR

ITEM NO.	QTY	TYPE	PART NUMBER	DESCRIPTION
1	1	PART	15-51041-1	WHEEL HALF A, 2.0" X 4.0" WHEEL ASSEMBLY
2	1	PART	15-51041-2	WHEEL HALF B, 2.0" X 4.0" WHEEL ASSEMBLY
3	2	PART	15-51043	GREASE SEAL
4	1	PART	15-51044	2.80/2.50 - 4 4 PLY TIRE
5	2	PART	15-51045	RETAINING RING, INTERNAL, LIGHT DUTY
6	1	PART	15-51046	PLACARD, IDENTIFICATION, 15-51040 WHEEL ASSEMBLY
7	1	HRDWR	2.80/2.50-4	TIRE TUBE
8	1	PART	35A-51621	WARNING PLACARD
9	2	HRDWR	A6075	BEARING CONE, TIMKEN P/N
10	2	HRDWR	A6162	BEARING CUP, TIMKEN P/N
11	3	HRDWR	AN3-17A	BOLT - MACHINE, AIRCRAFT
12	1	HRDWR	M83461/1-029	O-RING (ALT. USE MS28775-029)
13	3	HRDWR	MS21044N3	NUT, SELF-LOCKING, REGULAR HEIGHT
14	3	HRDWR	NAS1149D0316K	WASHER, FLAT
15	3	HRDWR	NAS1149D0363K	WASHER, FLAT

AEROCET, INC. RESERVES THE RIGHT TO CANCEL, ADD OR CHANGE PARTS SHOWN IN THIS FIGURE WITHOUT NOTICE.

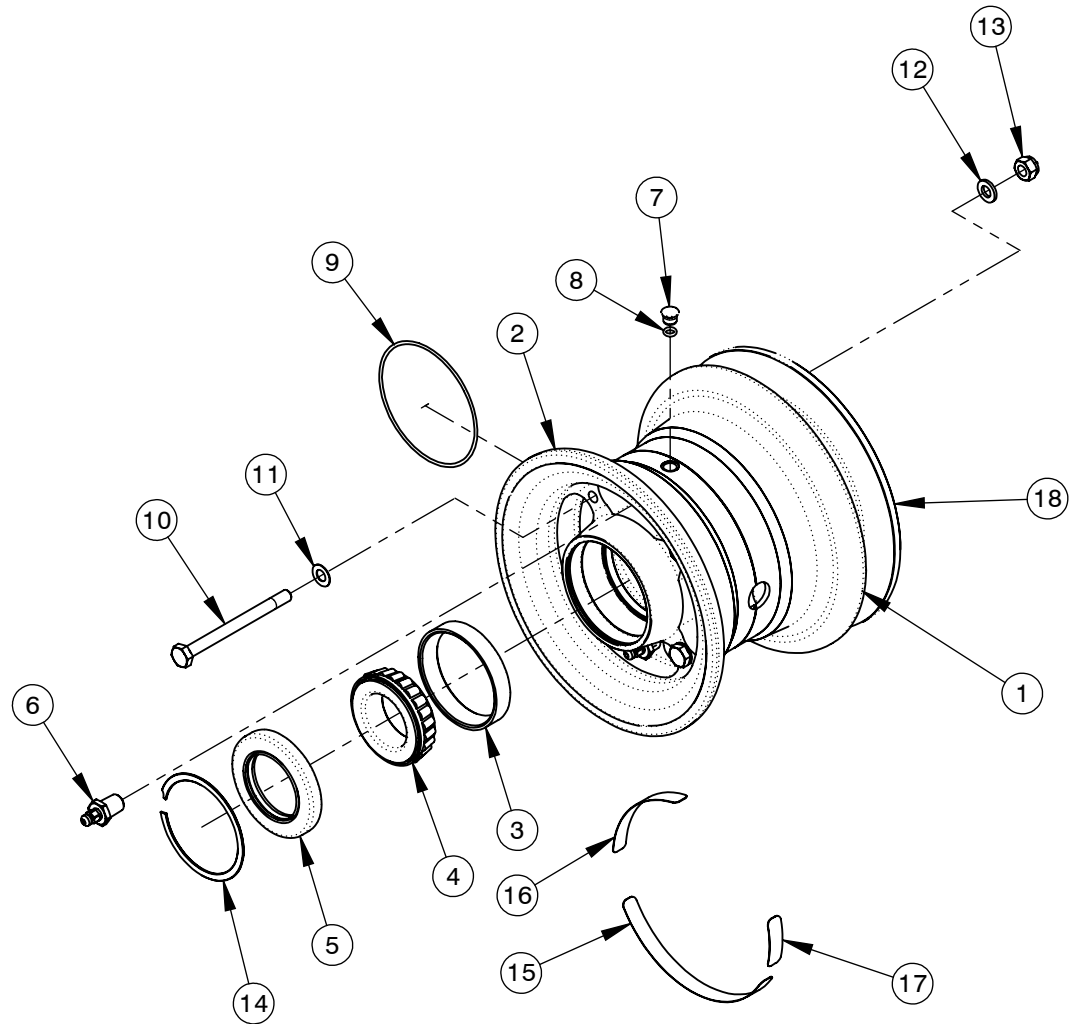


CUSTOMER PART LIST
MODEL 1500 FLOAT WHEEL
ASSEMBLY NOSE GEAR

FILE NO. **15-CPL-51040** REV. **0**

CAD MODEL 15-51040-N
SERVICE MANUAL ILLUSTRATION/15-CPL-51040 SHEET 2 OF 2

THE INFORMATION CONTAINED IN THIS DRAWING IS THE SOLE PROPERTY OF AEROCET, INC. ANY REPRODUCTION IN WHOLE OR IN PART WITHOUT THE WRITTEN PERMISSION OF AEROCET, INC. IS PROHIBITED.



AEROCET, INC. RESERVES THE RIGHT TO CANCEL, ADD OR CHANGE PARTS SHOWN IN THIS FIGURE WITHOUT NOTICE.		AEROCET INCORPORATED	
		CUSTOMER PARTS MODEL 1500 LIST WHEEL ASSEMBLY	
FILE NO.	15-CPL-51070	REV.	0
CAD MODEL	15-51070-A	SERVICE MANUAL ILLUSTRATION/15-CPL-51070	
		SHEET 1 OF 2	

THE INFORMATION CONTAINED IN THIS DRAWING IS THE SOLE PROPERTY OF AEROCET, INC. ANY REPRODUCTION IN WHOLE OR IN PART WITHOUT THE WRITTEN PERMISSION OF AEROCET, INC. IS PROHIBITED.

PARTS LIST FOR 15-51070 WHEEL ASSEMBLY, MAIN GEAR

ITEM NO.	QTY	TYPE	PART NUMBER	DESCRIPTION
1	1	PART	65-42174-2	WHEEL HALF B
2	1	PART	65-42174-1	WHEEL HALF A
3	2	HRDWR	08231-20629	BEARING CUP, TIMKEN P/N*
4	2	HRDWR	08125-20629	BEARING CONE, TIMKEN P/N*
5	2	PART	65-42184	WHEEL SEAL, 1 1/2" NOMINAL SHAFT
6	2	ASSY	65-42180	BRAKE BLEEDER ASSEMBLY, 1/8-27 NPT
7	2	PART	65-42181	PLUG
8	2	HRDWR	M83461/1-007	O-RING (ALT. USE MS28775-007)
9	1	HRDWR	M83461/1-039	O-RING (ALT. USE MS28775-039)
10	4	HRDWR	AN4-30A	BOLT - MACHINE, AIRCRAFT
11	4	HRDWR	NAS1149D0416K	WASHER, FLAT
12	4	HRDWR	NAS1149D0463K	WASHER, FLAT
13	4	HRDWR	MS21044N4	NUT, SELF-LOCKING, REGULAR HEIGHT
14	2	PART	65-42183	RETAINING RING, INTERNAL
15	1	PART	65-42176	FILLING INSTRUCTIONS PLACARD
16	1	PART	15-51072	IDENTIFICATION PLACARD, 15-51070 MAIN WHEEL ASSEMBLY, AEROCET MODEL 1500 FLOATS
17	1	PART	65-42198	WARNING PLACARD
18	1	PART	15-51075	BRAKE DISC, FOR AEROCET MODEL 1500 MAIN WHEEL

AEROCET, INC. RESERVES THE RIGHT TO CANCEL, ADD OR CHANGE PARTS SHOWN IN THIS FIGURE WITHOUT NOTICE.

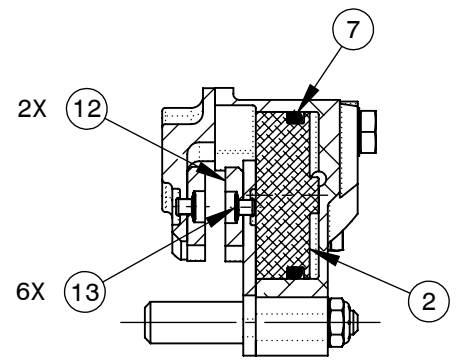
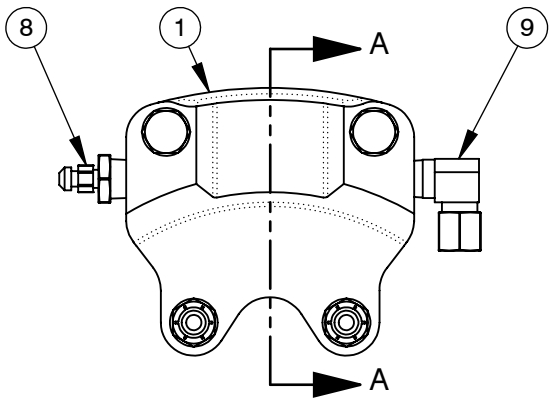
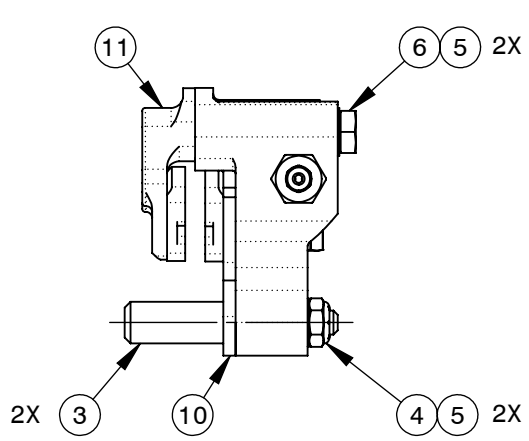


CUSTOMER PARTS MODEL
1500 LIST WHEEL
ASSEMBLY

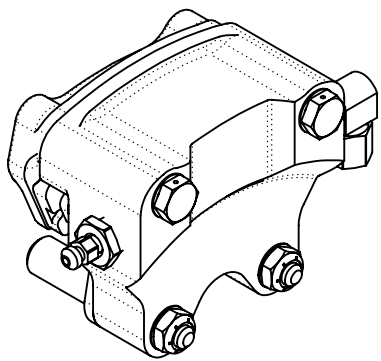
FILE NO. **15-CPL-51070** REV. **0**

CAD MODEL 15-51070-A
SERVICE MANUAL ILLUSTRATION/15-CPL-51070 SHEET 2 OF 2

THE INFORMATION CONTAINED IN THIS DRAWING IS THE SOLE PROPERTY OF AEROCET, INC. ANY REPRODUCTION IN WHOLE OR IN PART WITHOUT THE WRITTEN PERMISSION OF AEROCET, INC. IS PROHIBITED.



SECTION A-A



AEROCET, INC. RESERVES THE RIGHT TO CANCEL, ADD OR CHANGE PARTS SHOWN IN THIS FIGURE WITHOUT NOTICE.



**CUSTOMER PARTS LIST
MODEL 1500 BRAKE
CALIPER ASSEMBLY**

FILE NO.	15-CPL-51550	REV.	0
CAD MODEL	15-51550-N	SERVICE MANUAL ILLUSTRATION/15-CPL-51550	

THE INFORMATION CONTAINED IN THIS DRAWING IS THE SOLE PROPERTY OF AEROCET, INC. ANY REPRODUCTION IN WHOLE OR IN PART WITHOUT THE WRITTEN PERMISSION OF AEROCET, INC. IS PROHIBITED.

PARTS LIST FOR 15-51550 BRAKE CALIPER ASSEMBLY

ITEM NO.	QTY	TYPE	PART NUMBER	DESCRIPTION
1	1	PART	15-51554	BRAKE BODY, 5.00-5, BRAKE ASSEMBLY
2	1	PART	35A-51656	BRAKE PISTON
3	2	PART	15-51557	ANCHOR PIN, 5.00-5, BRAKE ASSEMBLY
4	2	HRDWR	MS21083N4	NUT, SELF-LOCKING, LOW HEIGHT
5	4	HRDWR	NAS1149D0416K	WASHER, FLAT
6	2	HRDWR	AN4H17A	BOLT - MACHINE, AIRCRAFT
7	1	HRDWR	MS28775-222	O-RING, NITRILE
8	1	ASSY	65-42180	BRAKE BLEEDER ASSEMBLY, 1/8-27 NPT
9	1	PART	15-47023	TUBE FITTING, 3/16 X 1/8 NPT, 90 ELBOW
10	1	PART	15-51561	INNER LINING PLATE, 5.00-5, BRAKE ASSEMBLY
11	1	PART	15-51565	BACK PLATE
12	2	PART	15-51555	BRAKE LINING, 5.00-5, BRAKE ASSEMBLY
13	6	ASSY	RA105-002	BRAKE RIVET (RAPCO P/N)

AEROCET, INC. RESERVES THE RIGHT TO CANCEL, ADD OR CHANGE PARTS SHOWN IN THIS FIGURE WITHOUT NOTICE.



CUSTOMER PARTS LIST
MODEL 1500 BRAKE
CALIPER ASSEMBLY

FILE NO. **15-CPL-51550** REV. **0**

CAD MODEL 15-51550-N
SERVICE MANUAL ILLUSTRATION/15-CPL-51550 SHEET 2 OF 2