

 Incorporated TITLE: ICA Maintenance Manual for 6650 Floats on a Quest KODIAK 100		
ISSUE DATE:	02/11/15		PAGE	A1 of A100
			FILE NO.	A-10038 Appendix A
REVISION DATE:	6/27/2017		REVISION	1

A-10038, MAINTENANCE MANUAL AND INSTRUCTIONS FOR CONTINUED AIRWORTHINESS
FOR
AEROCET MODEL 6650 TWIN AMPHIBIAN FLOATS, OR
MODEL 6750 TWIN SEAPLANE FLOATS
INSTALLED ON A QUEST KODIAK 100 AIRPLANE

APPENDIX A – ILLUSTRATED PARTS CATALOG


		 Incorporated TITLE: ICA Maintenance Manual for 6650 Floats on a Quest KODIAK 100		
ISSUE DATE:	02/11/15		PAGE	A2 of A100
			FILE NO.	A-10038 Appendix A
REVISION DATE:	6/27/2017		REVISION	1

INTENTIONALLY LEFT BLANK

ISSUE DATE: 02/11/15		 Incorporated TITLE: ICA Maintenance Manual for 6650 Floats on a Quest KODIAK 100	PAGE	A3 of A100
REVISION DATE: 6/27/2017			FILE NO.	A-10038 Appendix A
			REVISION	1

LOG OF REVISIONS

REVISION	AFFECTED PAGES	DESCRIPTION	DATE	APPROVED
00	ALL	INITIAL RELEASE	2/11/15	
01	ALL	Updated 6650 pages. Added 6750 pages.	6/27/17	

		 Incorporated TITLE: ICA Maintenance Manual for 6650 Floats on a Quest KODIAK 100		
ISSUE DATE:	02/11/15		PAGE	A4 of A100
			FILE NO.	A-10038 Appendix A
REVISION DATE:	6/27/2017		REVISION	1

INTENTIONALLY LEFT BLANK



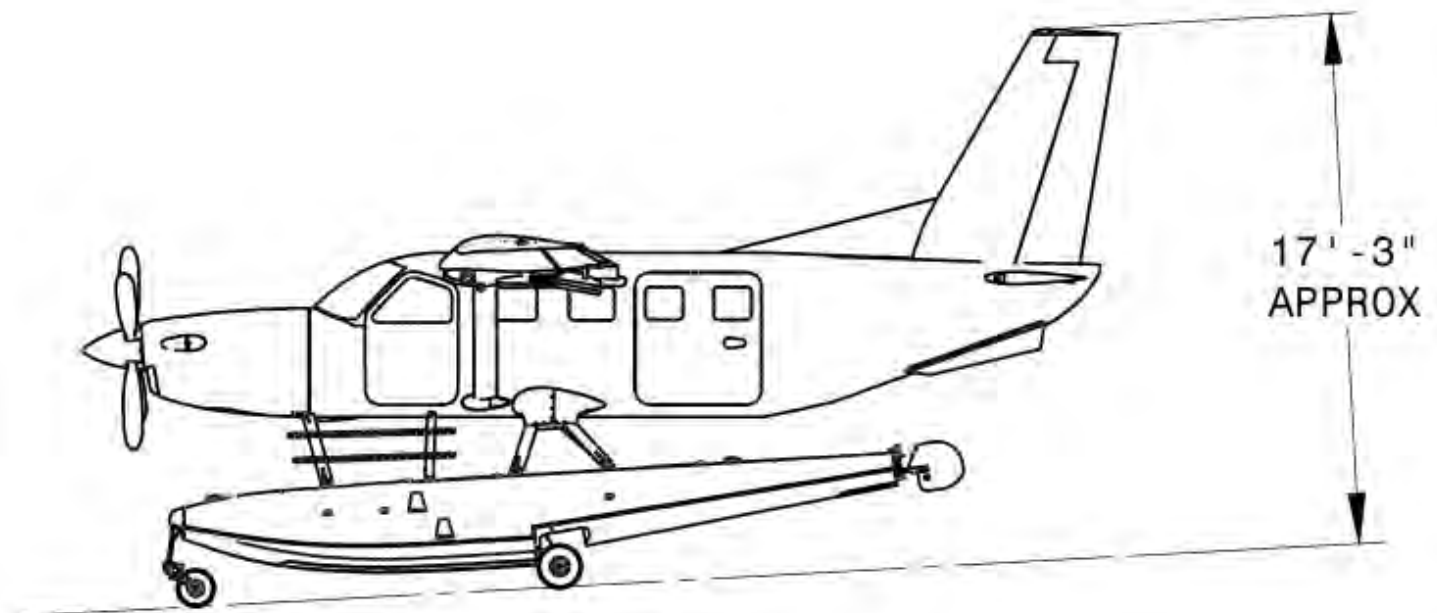
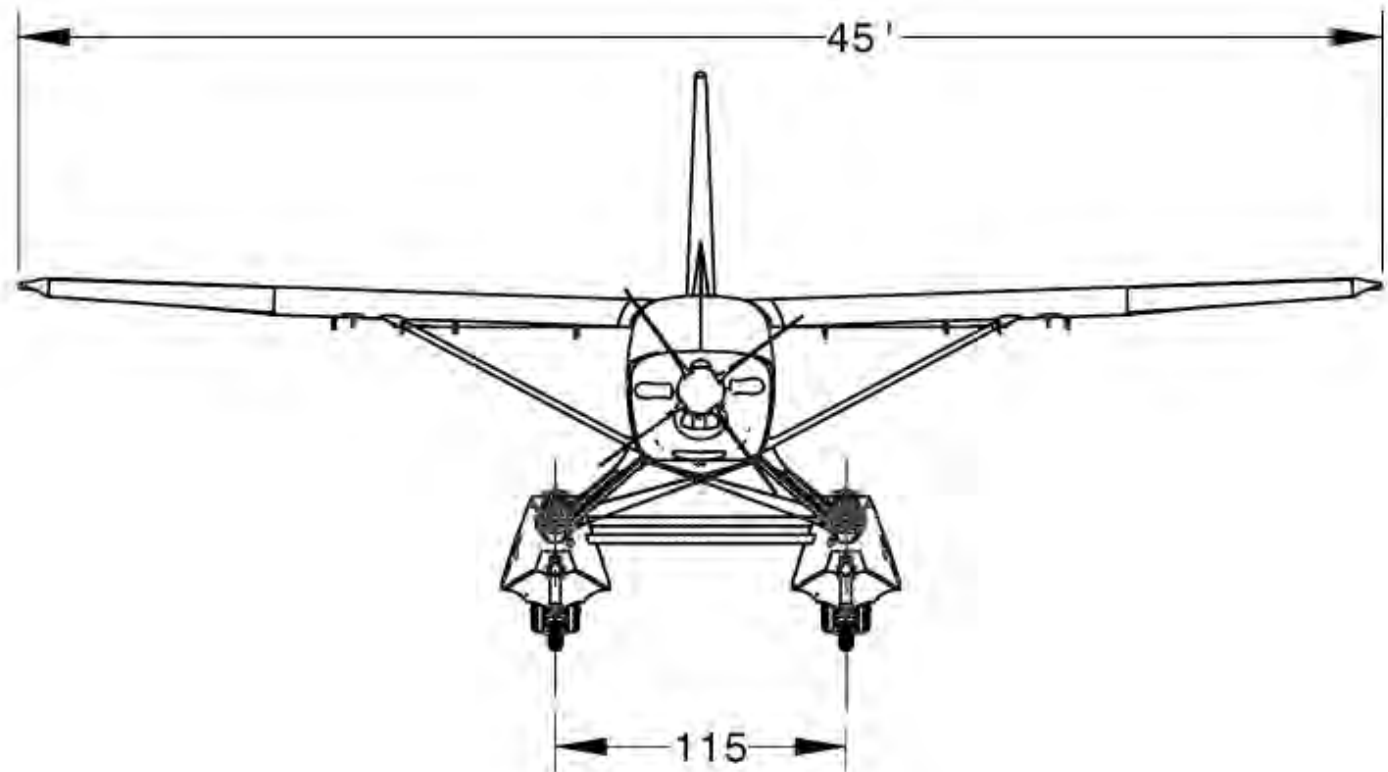
		 Incorporated TITLE: ICA Maintenance Manual for 6650 Floats on a Quest KODIAK 100		
ISSUE DATE:	02/11/15		PAGE	A5 of A100
REVISION DATE:	6/27/2017		FILE NO.	A-10038 Appendix A
			REVISION	1

Table of Contents

APPENDIX A – ILLUSTRATED PARTS CATALOG	1	35.	65-21110 BULKHEAD INSTALLATION, 6750 SEAPLANE.....	46
1. 35-34039 SWIVEL PULLEY ASSEMBLY	7	36.	65-21170 PUMP-OUT WELL INST. 6750 SEAPLANE	48
2. 35-34047 PULLEY ASSEMBLY.....	8	37.	65-21180 FLOTATION FOAM INSTALLATION	49
4. 35-80030 LATCH ASSEMBLY.....	9	38.	65-21190 KEEL AND WEAR STRIP INSTALLATION, 6750 SEAPLANE	50
5. 35A-59430 SPOT MIRROR ASSEMBLY	10	39.	65-21400 FLOOR BOARD INSTALLATION, 6750 SEAPLANE.....	52
6. 56-10150 WATER RUDDER INSTALLATION	11	40.	65-21500 ACCESS PANEL & LOCKER DOOR INST. 6750 SEAPLANE	54
7. 56-10500, TILLER ASSEMBLY	12	41.	65-21900 BUMPER INSTALLATION, 6750 SEAPLANE	55
8. 56-15230 PULLEY ASSEMBLY.....	13	42.	65-42000 NOSE GEAR ASSEMBLY, 6650 AMPHIBIAN.....	56
9. 56-15240 SWIVEL PULLEY ASSEMBLY, FLOAT MOUNTED.....	14	43.	65-42100 LOWER NOSE GEAR ASSEMBLY, 6650 AMPHIBIAN.....	58
10. 56-15270 SWIVEL PULLEY ASSEMBLY, SPREADER MOUNTED.....	15	44.	65-42120 DETENT PISTON ASSEMBLY, 6650 AMPHIBIAN.....	60
11. 56-15285 TURNBUCKLE ASSEMBLY	16	45.	65-42150 PIVOT PIN ASSEMBLY, 6650 AMPHIBIAN	61
12. 56-15290 PULLEY STACK ASSEMBLY	17	46.	65-42300 SLIDE BOX ASSEMBLY, 6650 AMPHIBIAN	62
13. 65-10001 SPREADER INSTALLATION, 6650 AMPHIBIAN	18	47.	65-42400 NOSE GEAR ACTUATOR ASSEMBLY, 6650 AMPHIBIAN	64
14. 65-16170 PUMP OUT WELL & TUBING INST. 6650 AMPHIBIAN	19	48.	65-45000 MAIN GEAR ASSY & INST. 6650 AMPHIBIAN.....	67
15. 65-16190 KEEL AND WEAR STRIP INST. 6650 AMPHIBIAN	20	49.	65-45100 LOWER MAIN GEAR ASSY, 6650 AMPHIBIAN.....	71
16. 65-16300 DECK PLATE INSTALLATION.....	21	50.	65-45200 OLEO ASSEMBLY, 6650 AMPHIBIAN.....	72
17. 65-16900 BUMPER INSTALLATION, 6650 AMPHIBIAN	22	51.	65-45300 MAIN GEAR ACTUATOR ASSY, 6650 AMPHIBIAN	73
18. 65-17000 HULL ASSEMBLY, 6650 AMPHIBIAN.....	23	52.	65-47000 BRAKE, HYD. & ELEC. INST. 6650 AMPHIBIAN	74
19. 65-17020 DATA PLACARD INST. 6650 AMPHIBIAN.....	24	54.	66-11210 WATER RUDDER RETRACT PEDESTAL, 6750 SEAPLANE.....	79
20. 65-17100 COMPOSITE HULL ASSY, 6650 AMPHIBIAN	25	55.	66-12071 BRACKET ASSEMBLY, ANODE ATTACHMENT.....	82
21. 65-17110 BULKHEAD INSTALLATION, 6650 AMPHIBIAN	26	56.	66-12120 STRUT ASSY, FWD – REFER TO 66-12126	83
22. 65-17160 CHINE RUB STRIP INST. 6650 AMPHIBIAN	28	57.	66-12126 STRUT, FWD.....	83
23. 65-17170 ROCK SHIELD INST. 6650 AMPHIBIAN	29	58.	66-12130 STRUT ASSEMBLY, MID	84
24. 65-17190 LIGHTNING STRIKE PROTECTION (LSP), 6650 AMPHIB.	30	59.	66-12160 STRUT ASSEMBLY, AFT.....	85
25. 65-17300 FLOOR BOARD INSTALLATION, 6750 SEAPLANE.....	34	60.	66-12201 W/ R RETRACT HANDLE, ALT. INST. 6650 Amphibian	86
26. 65-17400 DECK CLEAT INSTALLATION	36	61.	66-12250 PULLEY ASSEMBLY.....	87
27. 65-17500 ACCESS PANEL & LOCKER DOOR INST. 6650 AMPHIBIAN	37	62.	66-12260 PULLEY ASSEMBLY.....	88
28. 65-17510 LOCKER DOOR ASSY.....	38	63.	66-12270 CLAMP, Ø5/32” CABLE.....	89
29. 65-17520 LOCKER DOOR INSTALLATION.....	39	64.	66-12290 SWIVEL PULLEY ASSEMBLY, FLOAT MOUNTED.....	90
30. 65-17700 ANCHOR PLATE INSTALLATION.....	41	65.	66-12720 FITTING & RECEPTACLE ASSY, 6650 AMPHIBIAN	91
31. 65-20001 SPREADER INSTALLATION, 6750 SEAPLANE	42	66.	66-12820 SPOT MIRROR ASSY, GARMIN RADAR POD, 6650 AMPHIB.....	92
32. 65-20020 DATA PLACARD INSTALLATION, 6750 SEAPLANE.....	43	67.	66-47100 HYD. HAND PUMP, 6650 AMPHIBIAN	93
33. 65-21000 FLOAT HULL ASSEMBLY, 6750 SEAPLANE.....	44	68.	66-47200 FLOAT PEDESTAL ASSY, 6650 AMPHIBIAN	94
34. 65-21100 COMPOSITE HULL ASSEMBLY, 6750 SEAPLANE.....	45	69.	66-47300 HYD. PUMP, 24V DC, 6650 AMPHIBIAN.....	98
		70.	66-47400 WATER RUDDER RETRACT HANDLE ASSY.....	99
		71.	66-47500 RESERVOIR ASSY, 6650 AMPHIBIAN	100

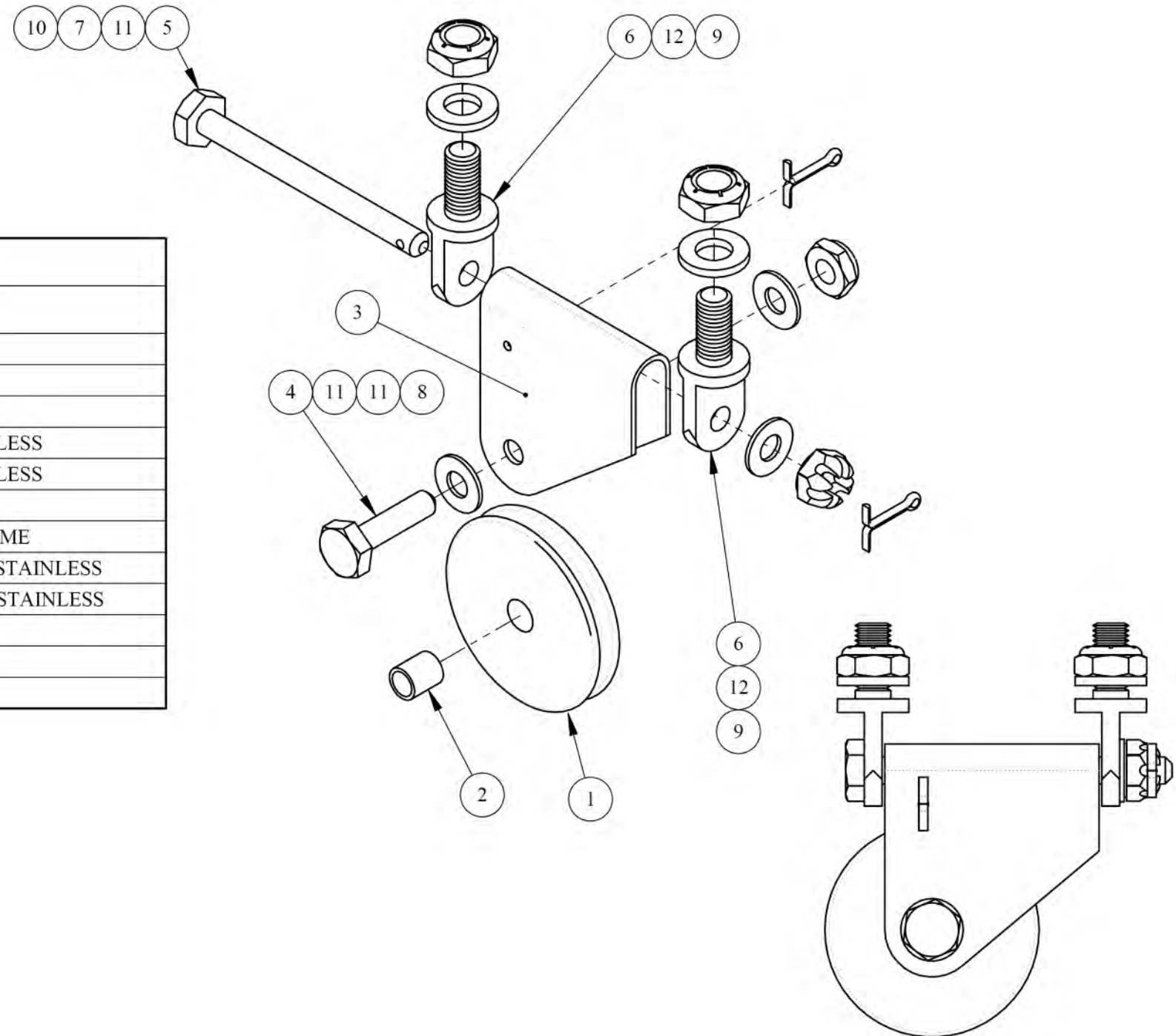
		 Incorporated TITLE: ICA Maintenance Manual for 6650 Floats on a Quest KODIAK 100		
ISSUE DATE:	02/11/15		PAGE	A6 of A100
REVISION DATE:	6/27/2017		FILE NO.	A-10038 Appendix A
			REVISION	1




		AEROCET Incorporated			
ISSUE DATE:	02/11/15	TITLE: ICA Maintenance Manual for 6650 Floats on a Quest KODIAK 100		PAGE	A7 of A100
REVISION DATE:	6/27/2017			FILE NO.	A-10038 Appendix A
				REVISION	1

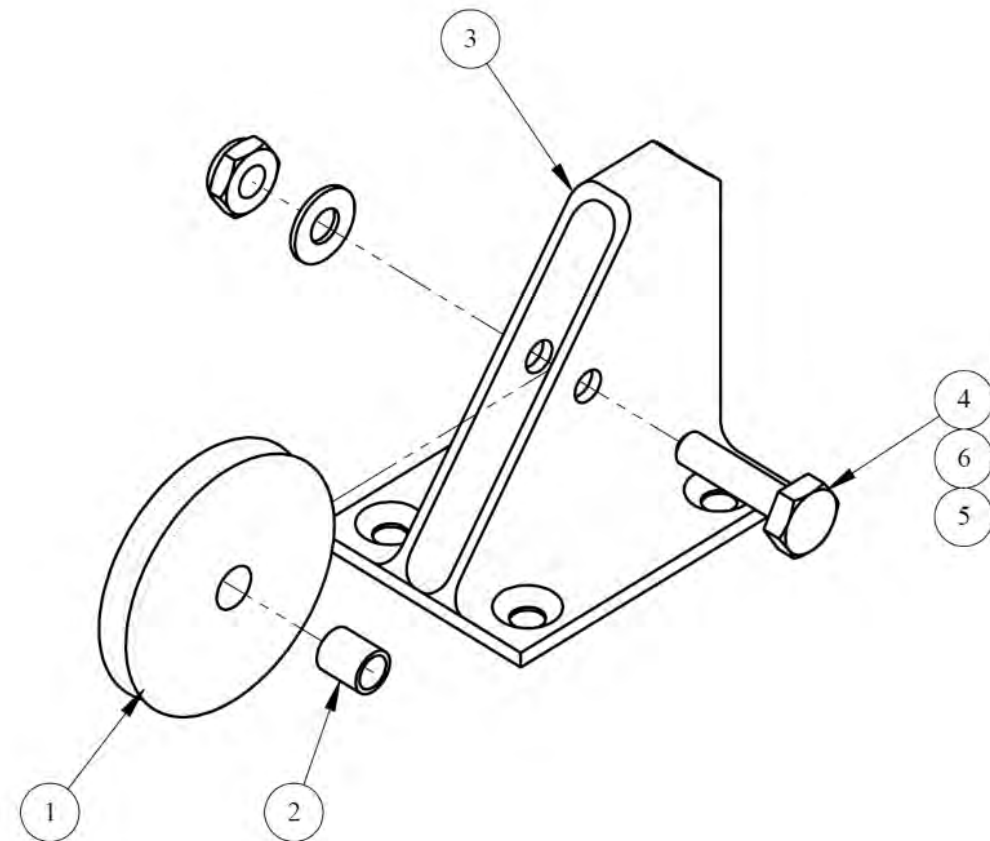
1. 35-34039 SWIVEL PULLEY ASSEMBLY

PARTS LIST FOR 35-34038 SWIVEL PULLEY ASSEMBLY				
ITEM NO.	QTY	TYPE	PART NUMBER	DESCRIPTION
1	1	PART	35-34030	PULLEY
2	1	PART	35-34036	PULLEY BUSHING
3	1	PART	35-34043	PULLEY BRACKET
4	1	HRDWR	AN3C6A	BOLT - MACHINE, AIRCRAFT, STAINLESS
5	1	HRDWR	AN3C21	BOLT - MACHINE, AIRCRAFT, STAINLESS
6	2	HRDWR	AN43B-C4A	EYEBOLT
7	1	HRDWR	AN310C3	NUT, PLAIN, CASTELLATED, AIRFRAME
8	1	HRDWR	MS21083C3	NUT, SELF-LOCKING, LOW HEIGHT, STAINLESS
9	2	HRDWR	MS21083C4	NUT, SELF-LOCKING, LOW-HEIGHT, STAINLESS
10	2	HRDWR	MS24665-153	COTTER PIN
11	3	HRDWR	NAS1149C0332R	WASHER, FLAT, STAINLESS
12	2	HRDWR	NAS1149C0463R	WASHER, FLAT, STAINLESS

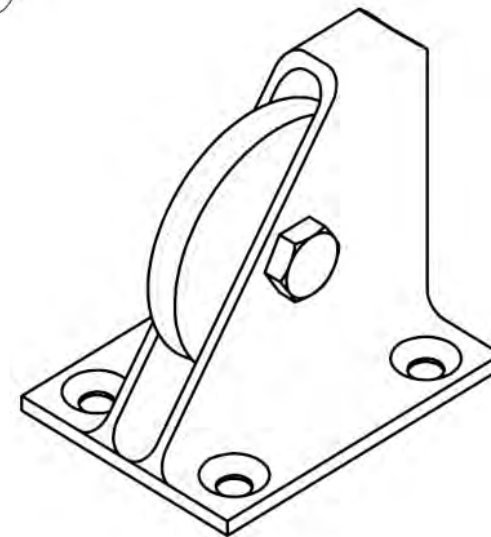



ISSUE DATE: 02/11/15		 Incorporated TITLE: ICA Maintenance Manual for 6650 Floats on a Quest KODIAK 100	PAGE: A8 of A100
REVISION DATE: 6/27/2017			FILE NO.: A-10038 Appendix A
			REVISION: 1

2. 35-34047 PULLEY ASSEMBLY

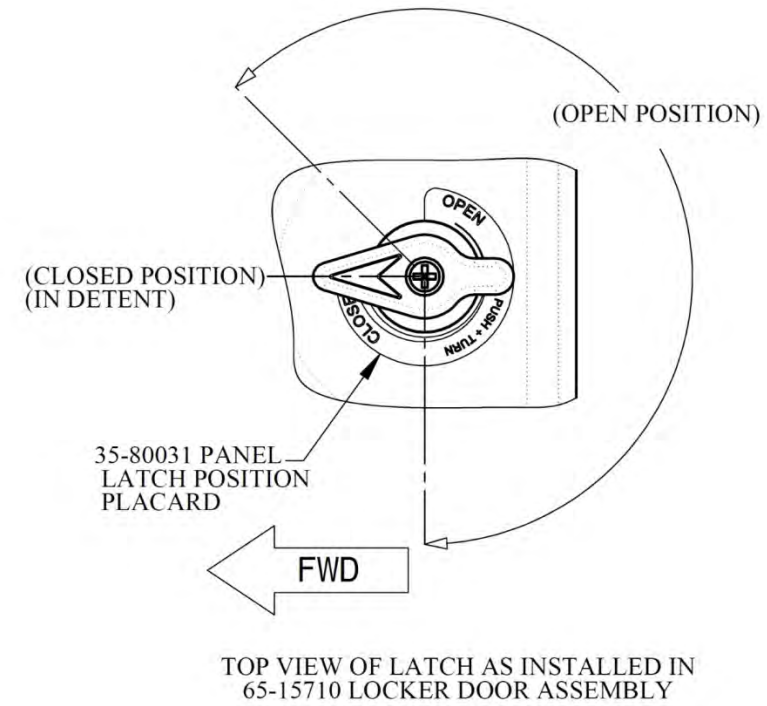
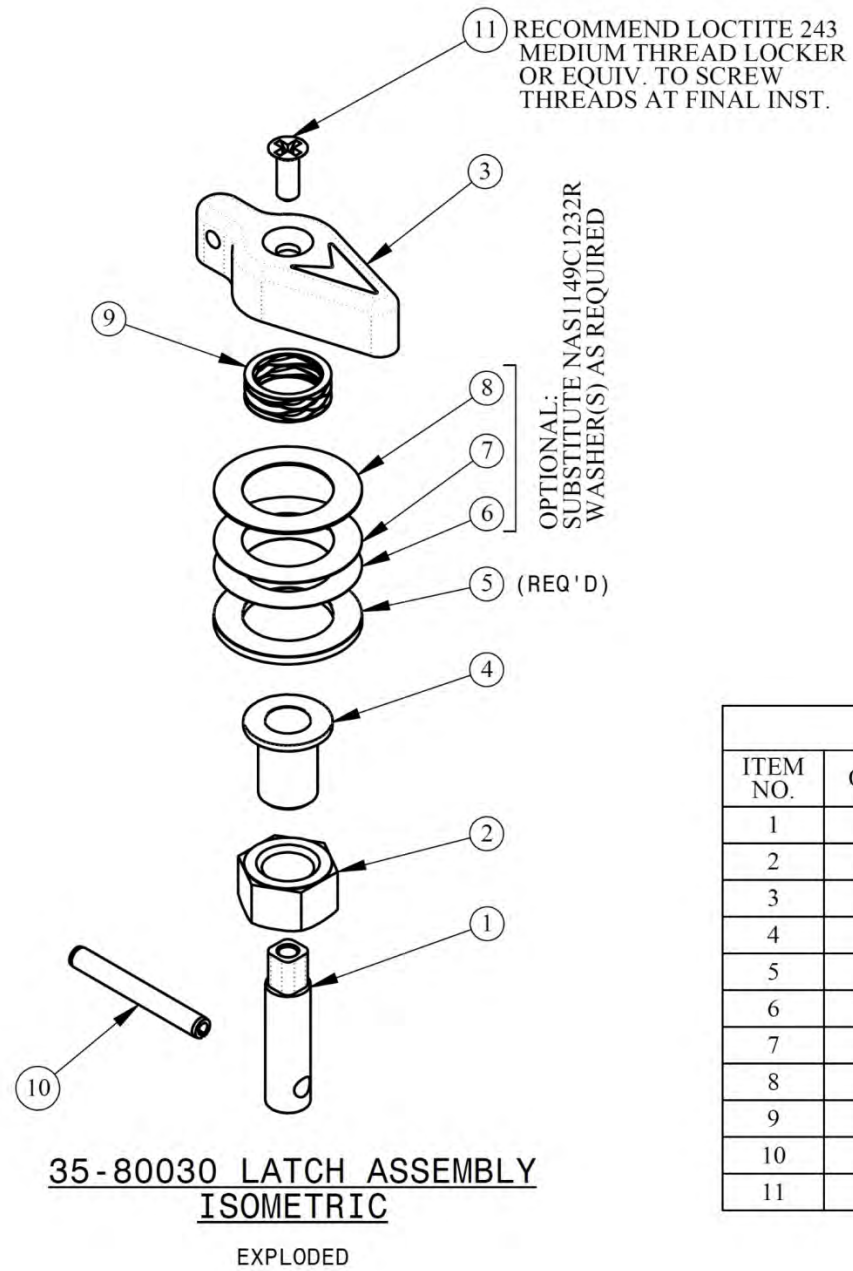


PARTS LIST FOR 35-34047 PULLEY ASSEMBLY					
ITEM NO.	QTY	TYPE	PART NUMBER	DESCRIPTION	
1	1	PART	35-34030	PULLEY	
2	1	PART	35-34036	PULLEY BUSHING	
3	1	PART	35-34044	PULLEY BRACKET	
4	1	HRDWR	AN3C6A	BOLT - MACHINE, AIRCRAFT	
5	1	HRDWR	MS21083C3	NUT, SELF-LOCKING, LOW HEIGHT, STAINLESS	
6	1	HRDWR	NAS1149C0332R	WASHER, FLAT, STAINLESS	




ISSUE DATE: 02/11/15		 Incorporated TITLE: ICA Maintenance Manual for 6650 Floats on a Quest KODIAK 100	PAGE	A9 of A100
REVISION DATE: 6/27/2017			FILE NO.	A-10038 Appendix A
			REVISION	1

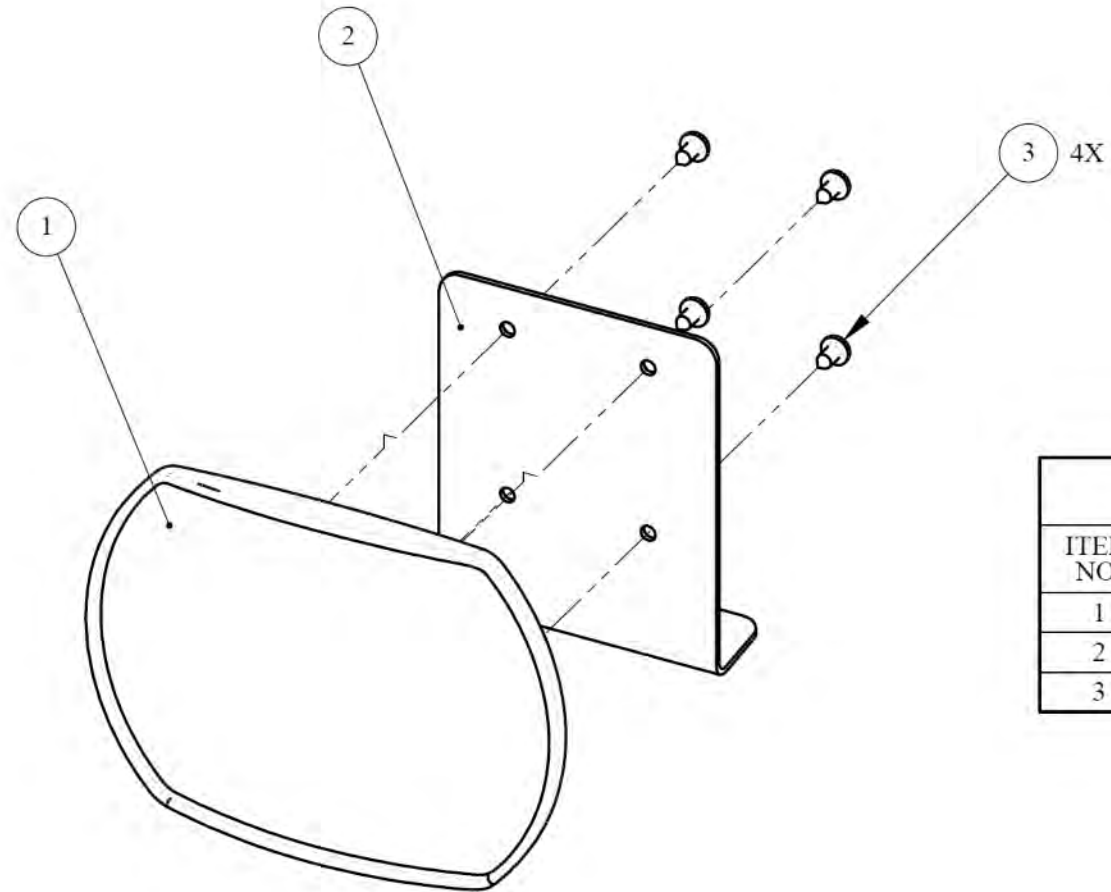
4. 35-80030 LATCH ASSEMBLY



PARTS LIST FOR 35-80030 LATCH ASSEMBLY				
ITEM NO.	QTY	TYPE	PART NUMBER	DESCRIPTION
1	1	PART	10-10037	LATCH POST
2	1	PART	35-80004	NUT, HEX, NYLON, 1/2-20 THREAD
3	1	PART	35-80028	LATCH KNOB
4	1	PART	35-80034	LATCH BUSHING
5	1	PART	35-80038-070	WASHER, PLASTIC
6	1	PART	35-80038-C005	WASHER, SHIMMING, STAINLESS
7	1	PART	35-80038-C010	WASHER, SHIMMING, STAINLESS
8	1	PART	35-80038-C020	WASHER, SHIMMING, STAINLESS
9	1	PART	35-80039	SPRING, COMPRESSION
10	1	HRDWR	MS16562-240	SPRING PIN
11	1	HRDWR	MS24693-C272	MACHINE SCREW, COUNTERSUNK HEAD

ISSUE DATE: 02/11/15		 Incorporated TITLE: ICA Maintenance Manual for 6650 Floats on a Quest KODIAK 100	PAGE	A10 of A100
REVISION DATE: 6/27/2017			FILE NO.	A-10038 Appendix A
			REVISION	1

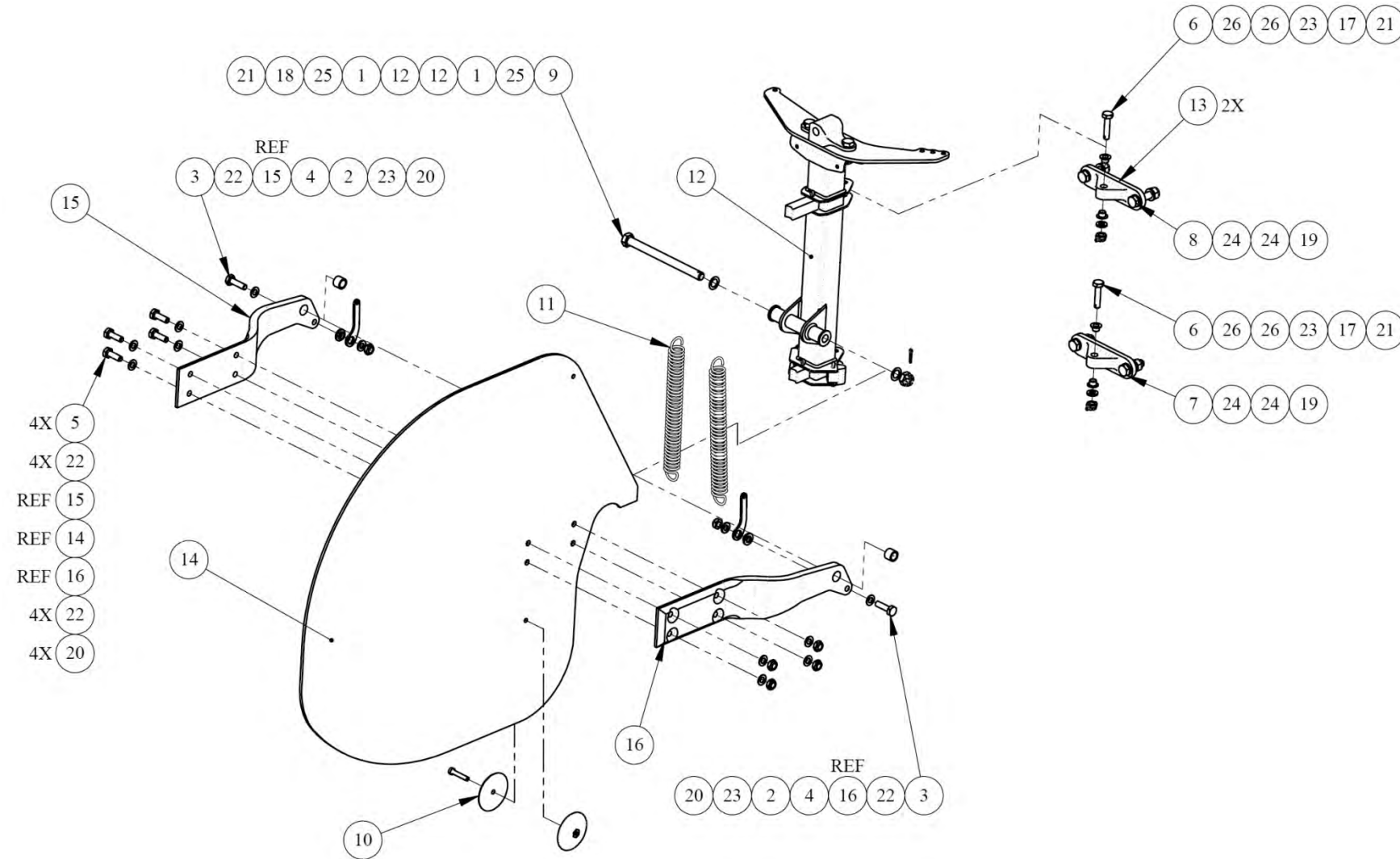
5. 35A-59430 SPOT MIRROR ASSEMBLY



PARTS LIST FOR 35A-59430 SPOT MIRROR ASSEMBLY				
ITEM NO.	QTY	TYPE	PART NUMBER	DESCRIPTION
1	1	PART	35A-59431	CONVEX SPOT MIRROR
2	1	PART	35A-59432	BRACKET, SPOT MIRROR
3	4	HRDWR	MS51861-33C	SCREW, TAPPING


ISSUE DATE: 02/11/15		AEROCET Incorporated	PAGE	A11 of A100
			FILE NO.	A-10038 Appendix A
REVISION DATE: 6/27/2017	TITLE: ICA Maintenance Manual for 6650 Floats on a Quest KODIAK 100		REVISION	1

6. 56-10150 WATER RUDDER INSTALLATION

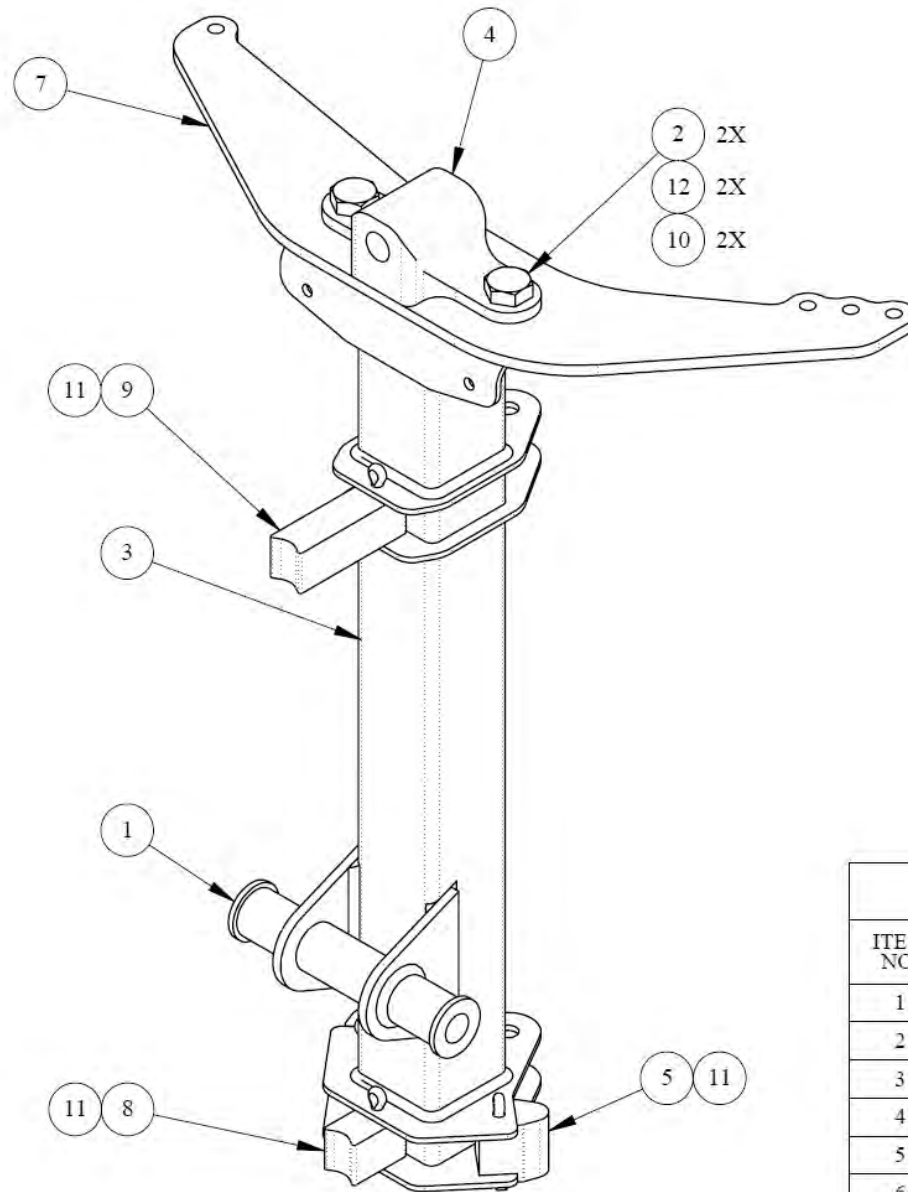


PARTS LIST FOR 56-10150 WATER RUDDER INSTALLATION

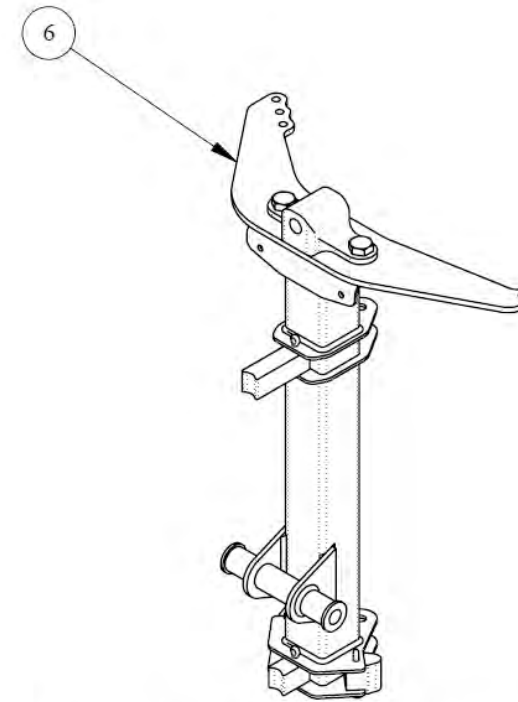
ITEM NO.	-2R QTY.	TYPE	PART NUMBER	DESCRIPTION
1	2	PART	35-34031	TILLER BUSHING
2	2	PART	35-34046	RUDDER RETURN LINK
3	2	PART	35-34052	YOKE SPRING BOLT
4	2	PART	35-34054	RUDDER LINK BUSHING
5	4	PART	56-10154-6A	BOLT - MACHINE, STAINLESS
6	2	PART	56-10154-11	BOLT - MACHINE, STAINLESS
7	2	PART	56-10155-10A	BOLT - MACHINE, STAINLESS
8	2	PART	56-10155-13A	BOLT - MACHINE, STAINLESS
9	1	PART	56-10156-45	BOLT - MACHINE, STAINLESS
10	1	PART	56-10158	ZINC ANODE ASSEMBLY
11	2	PART	56-10166	EXTENSION SPRING
12	1	ASS'Y	56-10500-R	TILLER ASSEMBLY, RHS
13	2	PART	56-10517	PIVOT BLOCK
14	1	PART	56-10530	RUDDER BLADE
15	1	PART	56-10537-L	RUDDER YOKE, LHS
16	1	PART	56-10537-R	RUDDER YOKE, RHS
17	2	HRDWR	AN310C4	NUT, CASTELLATED, STAINLESS
18	1	HRDWR	AN310C6	NUT, CASTELLATED, STAINLESS
19	4	HRDWR	MS21044C5	NUT, SELF-LOCKING, REGULAR HEIGHT, STAINLESS
20	6	HRDWR	MS21083C4	NUT, SELF-LOCKING, LOW-HEIGHT, STAINLESS
21	3	HRDWR	MS24665-300	COTTER PIN, 1/8", STAINLESS
22	10	HRDWR	NAS1149C0432R	WASHER, FLAT, STAINLESS
23	4	HRDWR	NAS1149C0463R	WASHER, FLAT, STAINLESS
24	8	HRDWR	NAS1149C0563R	WASHER, FLAT, STAINLESS
25	2	HRDWR	NAS1149C0616R	WASHER, FLAT, STAINLESS
26	4	HRDWR	TFI-0405-04	FLANGE BEARING, IGLIDE T500

ISSUE DATE: 02/11/15		 Incorporated TITLE: ICA Maintenance Manual for 6650 Floats on a Quest KODIAK 100	PAGE	A12 of A100
REVISION DATE: 6/27/2017			FILE NO.	A-10038 Appendix A
			REVISION	1

7. 56-10500, TILLER ASSEMBLY



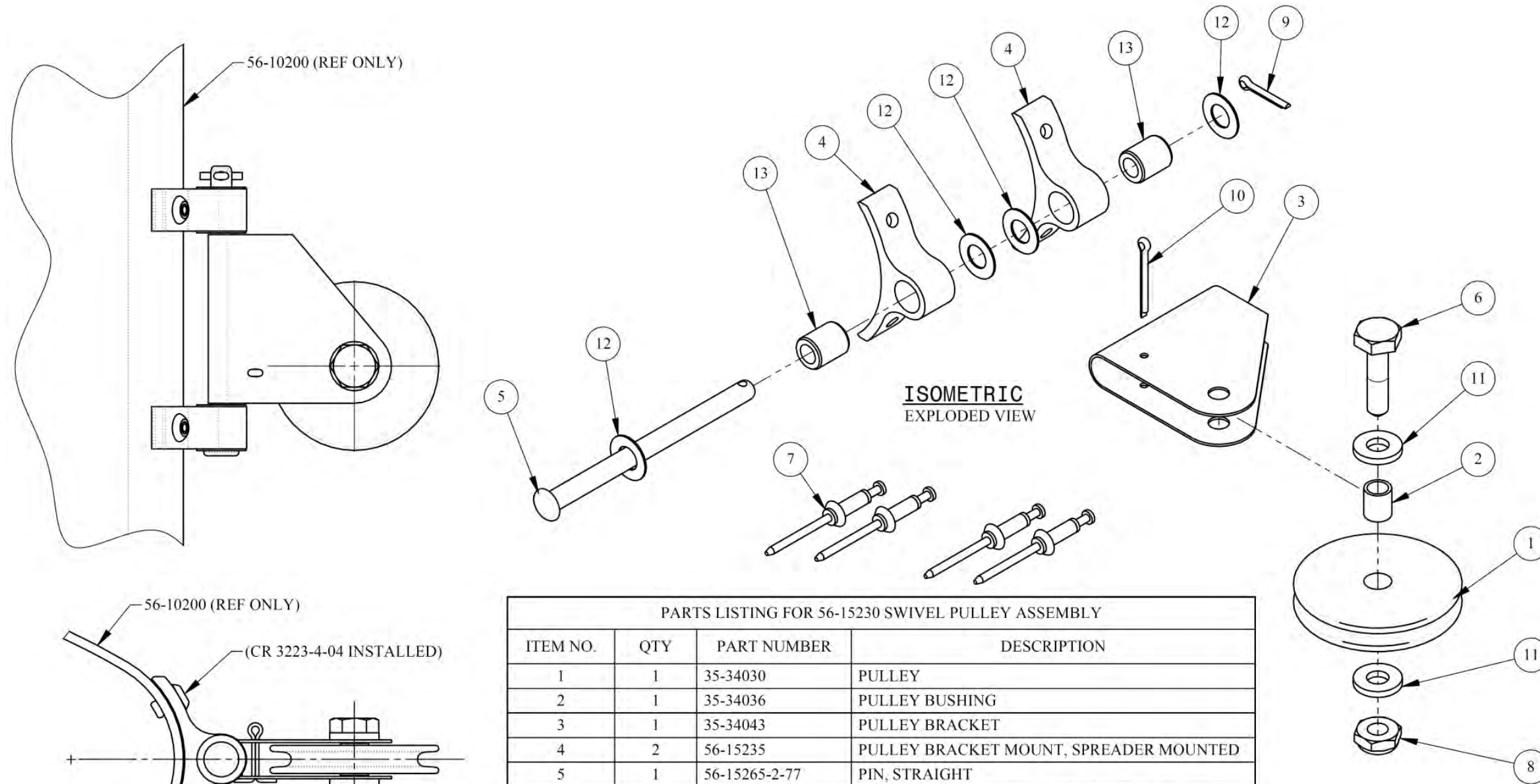
56-10500-R, TILLER ASSEMBLY, RHS
 (USE 56-10526-R IN PLACE OF 56-10526-L)



56-10500-L, TILLER ASSEMBLY, LHS
 (USE 56-10526-L IN PLACE OF 56-10526-R)
 SCALE 1:4

PARTS LIST FOR 56-10500 TILLER ASSEMBLY				
ITEM NO.	RHS/QTY	LHS/QTY.	PART NUMBER	DESCRIPTION
1	2	2	35-34029	TILLER BUSHING
2	2	2	56-10155-7A	BOLT - MACHINE, STAINLESS
3	1	1	56-10505	WELDED TILLER SUBASSEMBLY
4	1	1	56-10521	RETRACT CABLE GUIDE
5	2	2	56-10525	TILLER STOP
6	-	1	56-10526-L	STEERING ARM, LHS
7	1	-	56-10526-R	STEERING ARM, RHS
8	1	1	56-10538-1	RUDDER BLADE STOP
9	1	1	56-10538-2	RUDDER BLADE STOP
10	2	2	MS21044C5	NUT, SELF-LOCKING, REGULAR HEIGHT, STAINLESS
11	4	4	MS24665-372	COTTER PIN, STAINLESS
12	2	2	NAS1149C0563R	WASHER, FLAT, STAINLESS


8. 56-15230 PULLEY ASSEMBLY



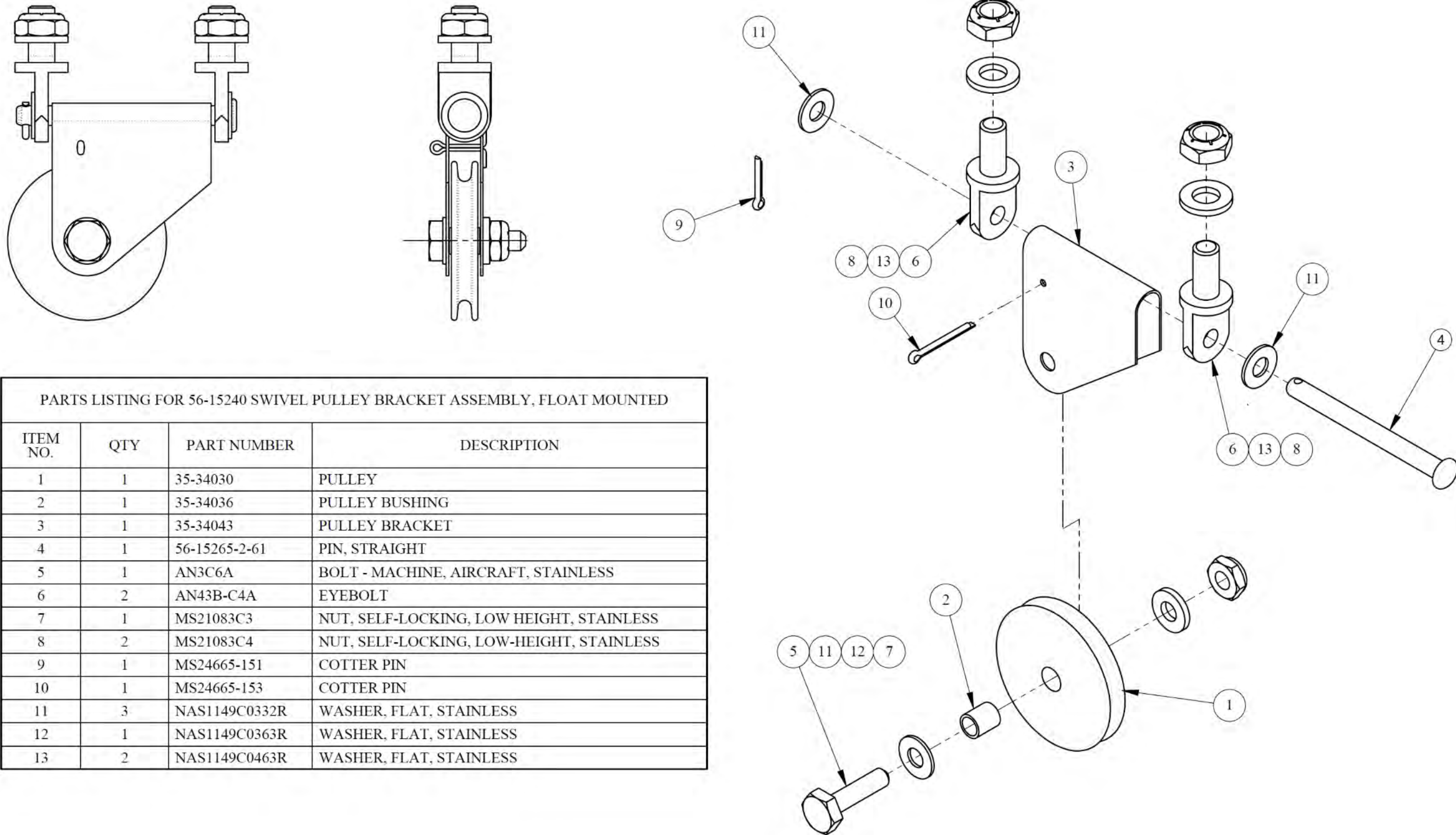
ISOMETRIC
EXPLODED VIEW

PARTS LISTING FOR 56-15230 SWIVEL PULLEY ASSEMBLY			
ITEM NO.	QTY	PART NUMBER	DESCRIPTION
1	1	35-34030	PULLEY
2	1	35-34036	PULLEY BUSHING
3	1	35-34043	PULLEY BRACKET
4	2	56-15235	PULLEY BRACKET MOUNT, SPREADER MOUNTED
5	1	56-15265-2-77	PIN, STRAIGHT
6	1	AN3C6A	BOLT - MACHINE, AIRCRAFT, STAINLESS
7	4	CR 3223-4-04	CERRYMAX RIVET, UNIVERSAL HEAD
8	1	MS21083C3	NUT, SELF-LOCKING, LOW HEIGHT, STAINLESS
9	1	MS24665-151	COTTER PIN
10	1	MS24665-153	COTTER PIN
11	2	NAS1149C0363R	WASHER, FLAT, STAINLESS
12	4	NAS1149D0316K	WASHER, FLAT
13	2	RSI-0305-06	PLAIN BEARING, SLEEVE OR FLANGE (IGUS P/N)


NOTE: ALUMINUM NAS1149D0--K AND NAS1149D0--J WASHERS MAY BE USED INTERCHANGEABLY PER AVAILABILITY.

ISSUE DATE: 02/11/15		 Incorporated TITLE: ICA Maintenance Manual for 6650 Floats on a Quest KODIAK 100	PAGE: A14 of A100
REVISION DATE: 6/27/2017			FILE NO.: A-10038 Appendix A
			REVISION: 1

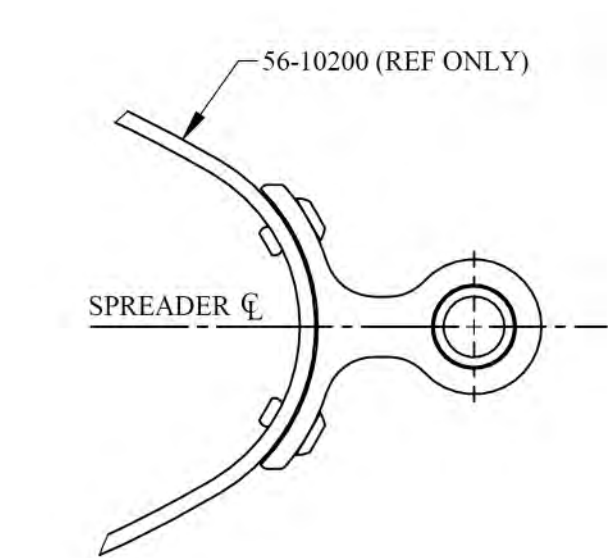
9. 56-15240 SWIVEL PULLEY ASSEMBLY, FLOAT MOUNTED



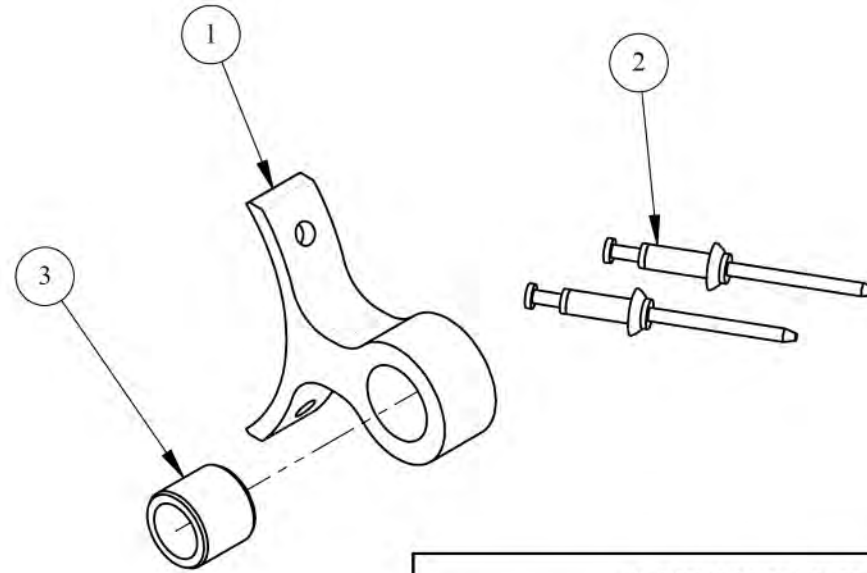
PARTS LISTING FOR 56-15240 SWIVEL PULLEY BRACKET ASSEMBLY, FLOAT MOUNTED			
ITEM NO.	QTY	PART NUMBER	DESCRIPTION
1	1	35-34030	PULLEY
2	1	35-34036	PULLEY BUSHING
3	1	35-34043	PULLEY BRACKET
4	1	56-15265-2-61	PIN, STRAIGHT
5	1	AN3C6A	BOLT - MACHINE, AIRCRAFT, STAINLESS
6	2	AN43B-C4A	EYEBOLT
7	1	MS21083C3	NUT, SELF-LOCKING, LOW HEIGHT, STAINLESS
8	2	MS21083C4	NUT, SELF-LOCKING, LOW-HEIGHT, STAINLESS
9	1	MS24665-151	COTTER PIN
10	1	MS24665-153	COTTER PIN
11	3	NAS1149C0332R	WASHER, FLAT, STAINLESS
12	1	NAS1149C0363R	WASHER, FLAT, STAINLESS
13	2	NAS1149C0463R	WASHER, FLAT, STAINLESS

ISSUE DATE: 02/11/15		 Incorporated TITLE: ICA Maintenance Manual for 6650 Floats on a Quest KODIAK 100	PAGE	A15 of A100
REVISION DATE: 6/27/2017			FILE NO.	A-10038 Appendix A
			REVISION	1

10. 56-15270 SWIVEL PULLEY ASSEMBLY, SPREADER MOUNTED




SIDE VIEW, INSTALLED
(56-10900 SPREADER EXTRUSION SHOWN)



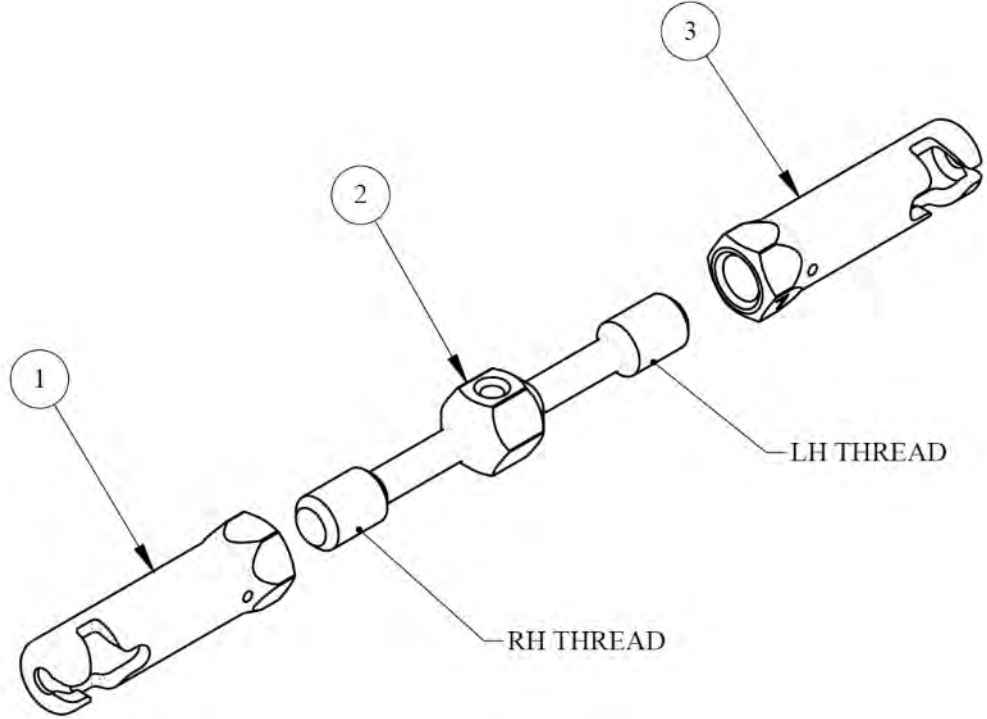
NOTES:

- 1) PARTS MAY BE SHIPPED IN UNASSEMBLED OR PARTIALLY ASSEMBLED STATE TO FACILITATE INSTALLATION.
- 2) PACKAGING SHALL BE FASHIONED IN SUCH A MANNER THAT ALL NECESSARY PARTS ARE CONTAINED AND IDENTIFIED TOGETHER.


PARTS LISTING FOR 56-15270 CABLE GUIDE, SPREADER MOUNTED			
ITEM NO.	QTY	PART NUMBER	DESCRIPTION
1	1	56-15271	CABLE GUIDE, SPREADER MOUNTED
2	2	CR 3223-4-04	CERRYMAX RIVET, UNIVERSAL HEAD
3	1	RSI-0507-06	PLAIN BEARING, SLEEVE OR FLANGE (IGUS P/N)

		 Incorporated TITLE: ICA Maintenance Manual for 6650 Floats on a Quest KODIAK 100	PAGE	A16 of A100
ISSUE DATE:	02/11/15		FILE NO.	A-10038 Appendix A
REVISION DATE:	6/27/2017		REVISION	1

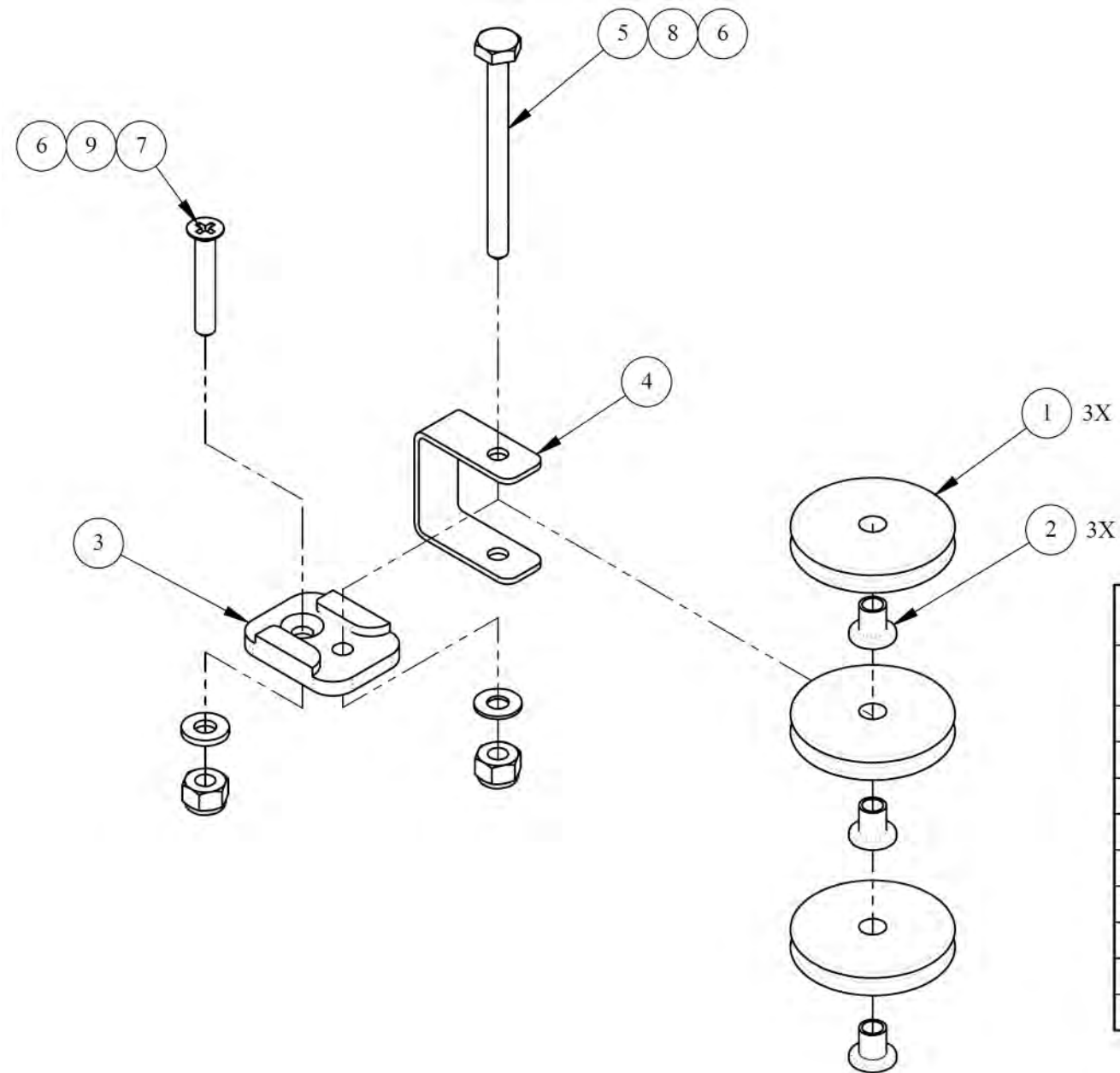
11. 56-15285 TURNBUCKLE ASSEMBLY




PARTS LISTINGS FOR 56-15285 TURNBUCKLE ASSEMBLIES			
ITEM NO.	QTY.	PART NUMBER	DESCRIPTION
1	1	56-15283	TURNBUCKLE RECEIVER
2	1	56-15286	TURNBUCKLE BARREL, LH-RH THREADED
3	1	56-15287	TURNBUCKLE RECEIVER, LH THREADS

ISSUE DATE: 02/11/15		 Incorporated TITLE: ICA Maintenance Manual for 6650 Floats on a Quest KODIAK 100	PAGE: A17 of A100
REVISION DATE: 6/27/2017			FILE NO.: A-10038 Appendix A
			REVISION: 1

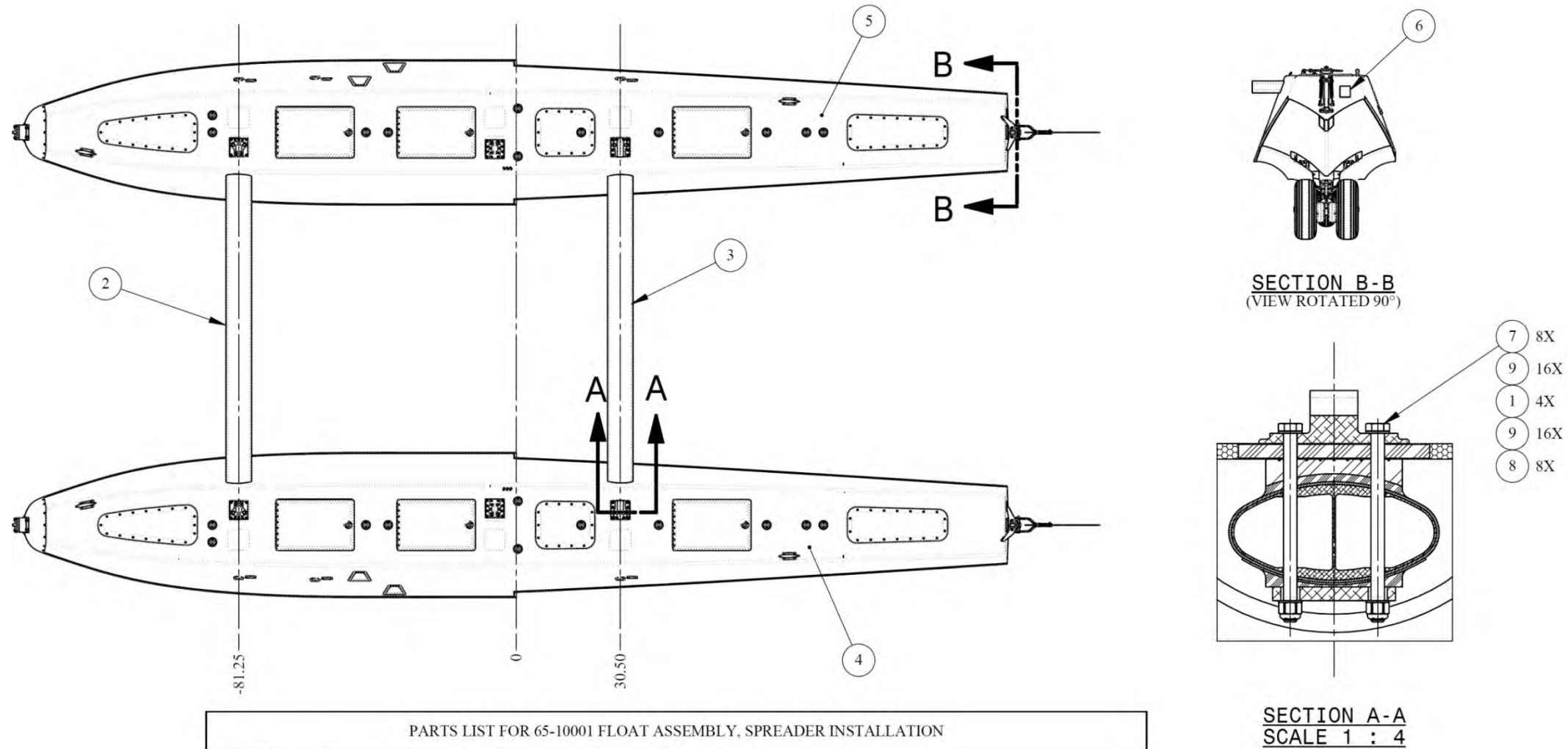
12. 56-15290 PULLEY STACK ASSEMBLY




PARTS LISTING FOR 56-15290, PULLEY STACK ASSEMBLY			
ITEM NO.	QTY	PART NUMBER	DESCRIPTION
1	3	35-34030	PULLEY
2	3	56-10124	PULLEY BUSHING
3	1	56-15291	BASE PLATE
4	1	56-15292	BRACKET
5	1	AN3C22A	BOLT - MACHINE, AIRCRAFT, STAINLESS
6	2	MS21044C3	NUT, SELF-LOCKING, REGULAR HEIGHT, STAINLESS
7	1	MS24694C60	MACHINE SCREW, FLAT COUNTERSUNK HEAD, 100°
8	1	NAS1149C0332R	WASHER, FLAT, STAINLESS
9	1	NAS1149C0363R	WASHER, FLAT, STAINLESS

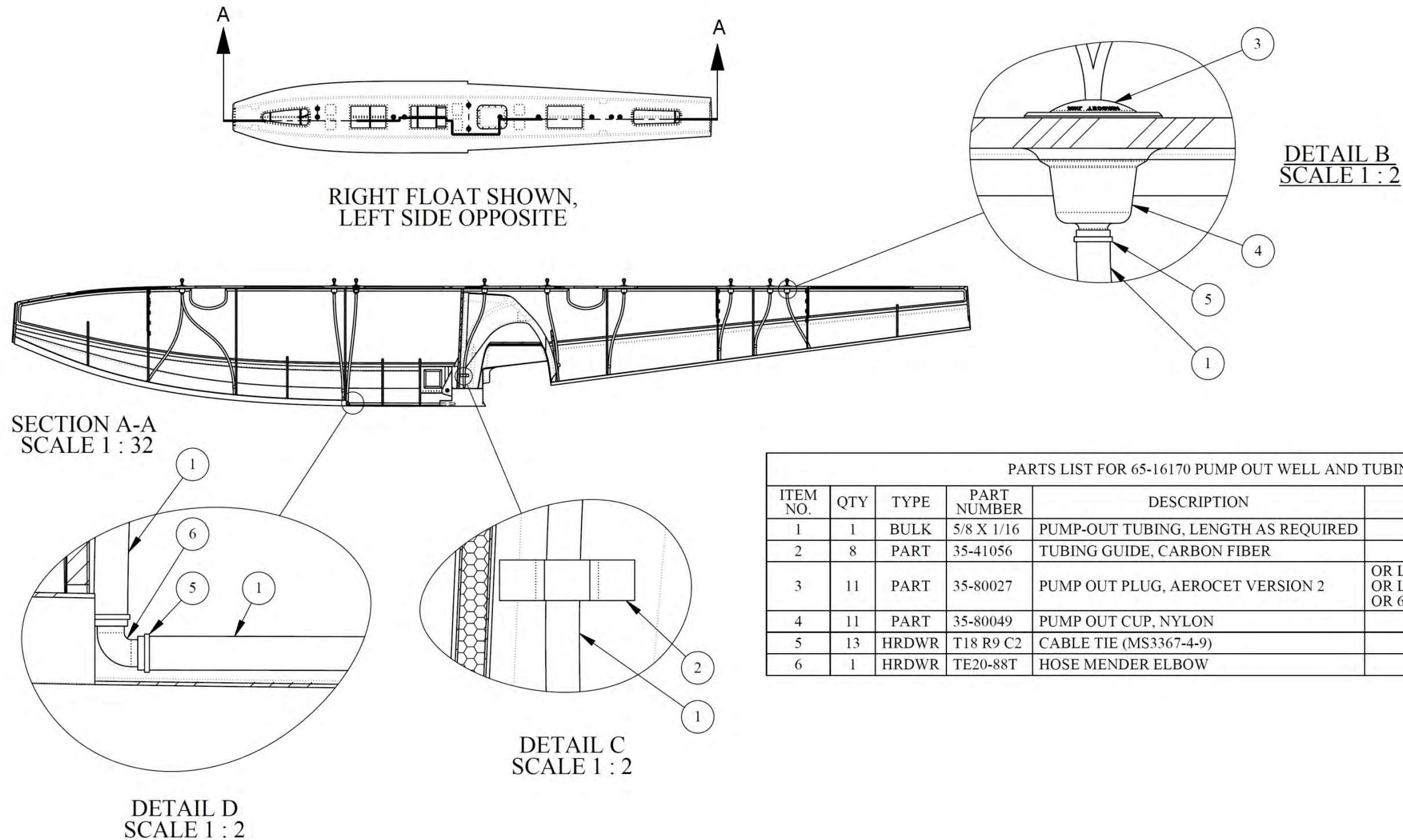
ISSUE DATE: 02/11/15		 Incorporated TITLE: ICA Maintenance Manual for 6650 Floats on a Quest KODIAK 100	PAGE: A18 of A100
REVISION DATE: 6/27/2017			FILE NO.: A-10038 Appendix A
			REVISION: 1

13. 65-10001 SPREADER INSTALLATION, 6650 AMPHIBIAN




ISSUE DATE: 02/11/15		 Incorporated TITLE: ICA Maintenance Manual for 6650 Floats on a Quest KODIAK 100	PAGE: A19 of A100
REVISION DATE: 6/27/2017			FILE NO.: A-10038 Appendix A
			REVISION: 1

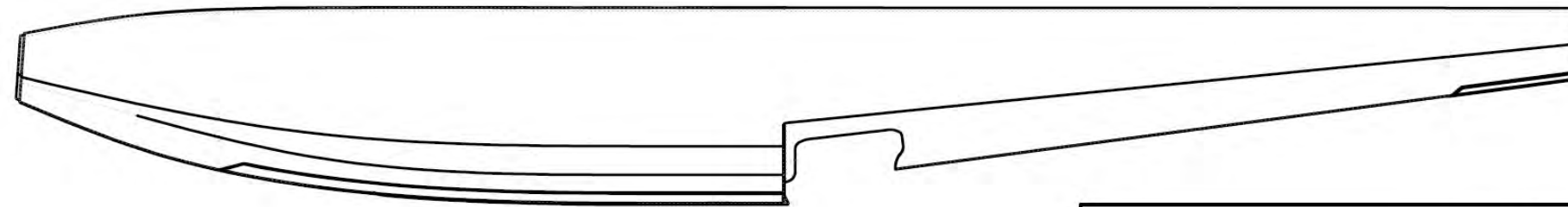
14. 65-16170 PUMP OUT WELL & TUBING INST. 6650 AMPHIBIAN



PARTS LIST FOR 65-16170 PUMP OUT WELL AND TUBING					
ITEM NO.	QTY	TYPE	PART NUMBER	DESCRIPTION	ALTERNATES
1	1	BULK	5/8 X 1/16	PUMP-OUT TUBING, LENGTH AS REQUIRED	
2	8	PART	35-41056	TUBING GUIDE, CARBON FIBER	
3	11	PART	35-80027	PUMP OUT PLUG, AEROCET VERSION 2	OR LAKE & AIR P/N 2111R, OR LAKE AND AIR P/N 2111 (MODIFIED) OR 65-17171
4	11	PART	35-80049	PUMP OUT CUP, NYLON	
5	13	HRDWR	T18 R9 C2	CABLE TIE (MS3367-4-9)	
6	1	HRDWR	TE20-88T	HOSE MENDER ELBOW	

		 Incorporated TITLE: ICA Maintenance Manual for 6650 Floats on a Quest KODIAK 100	PAGE	A20 of A100
ISSUE DATE:	02/11/15		FILE NO.	A-10038 Appendix A
REVISION DATE:	6/27/2017		REVISION	1

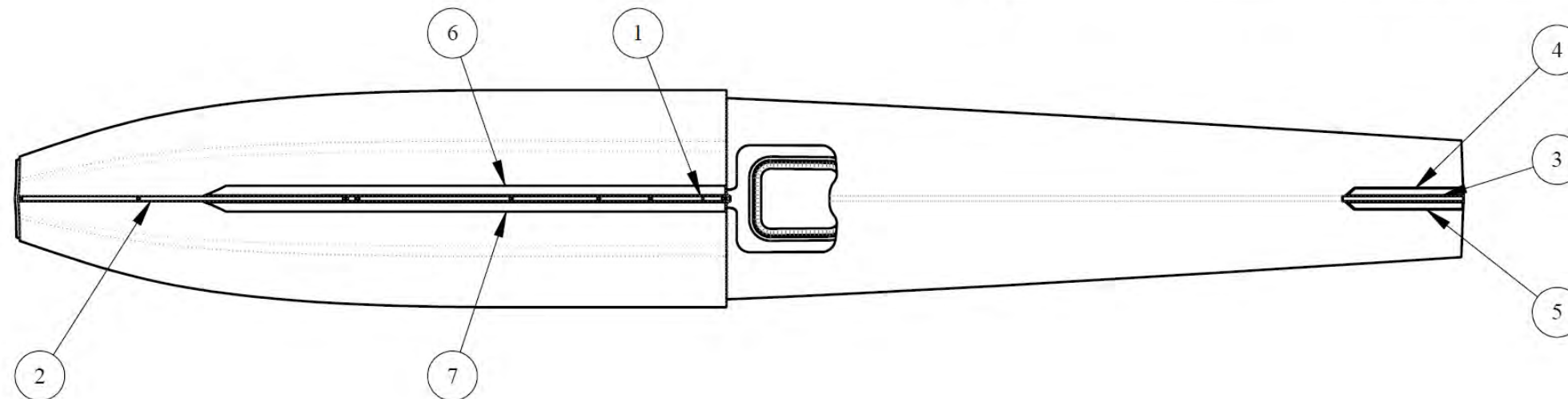
15. 65-16190 KEEL AND WEAR STRIP INST. 6650 AMPHIBIAN




PARTS LIST FOR 65-16190 KEEL AND WEAR STRIPS				
ITEM NO.	QTY	TYPE	PART NUMBER	DESCRIPTION
1	1	PART	65-16191	KEEL STRIP, STEP AREA
2	1	PART	65-16192	KEEL STRIP, FORWARD
3	1	PART	65-16193	KEEL STRIP, AFT AREA
4	1	PART	65-16194-L	WEAR STRIP, AFT, LHS
5	1	PART	65-16194-R	WEAR STRIP, AFT, RHS
6	1	PART	65-16195-L	WEAR STRIP, FOREBODY, LHS
7	1	PART	65-16195-R	WEAR STRIP, FOREBODY, RHS

65-16190 KEEL AND WEAR STRIP INSTALLATION SHOWN
RHS AND LHS VERSIONS ARE IDENTICAL

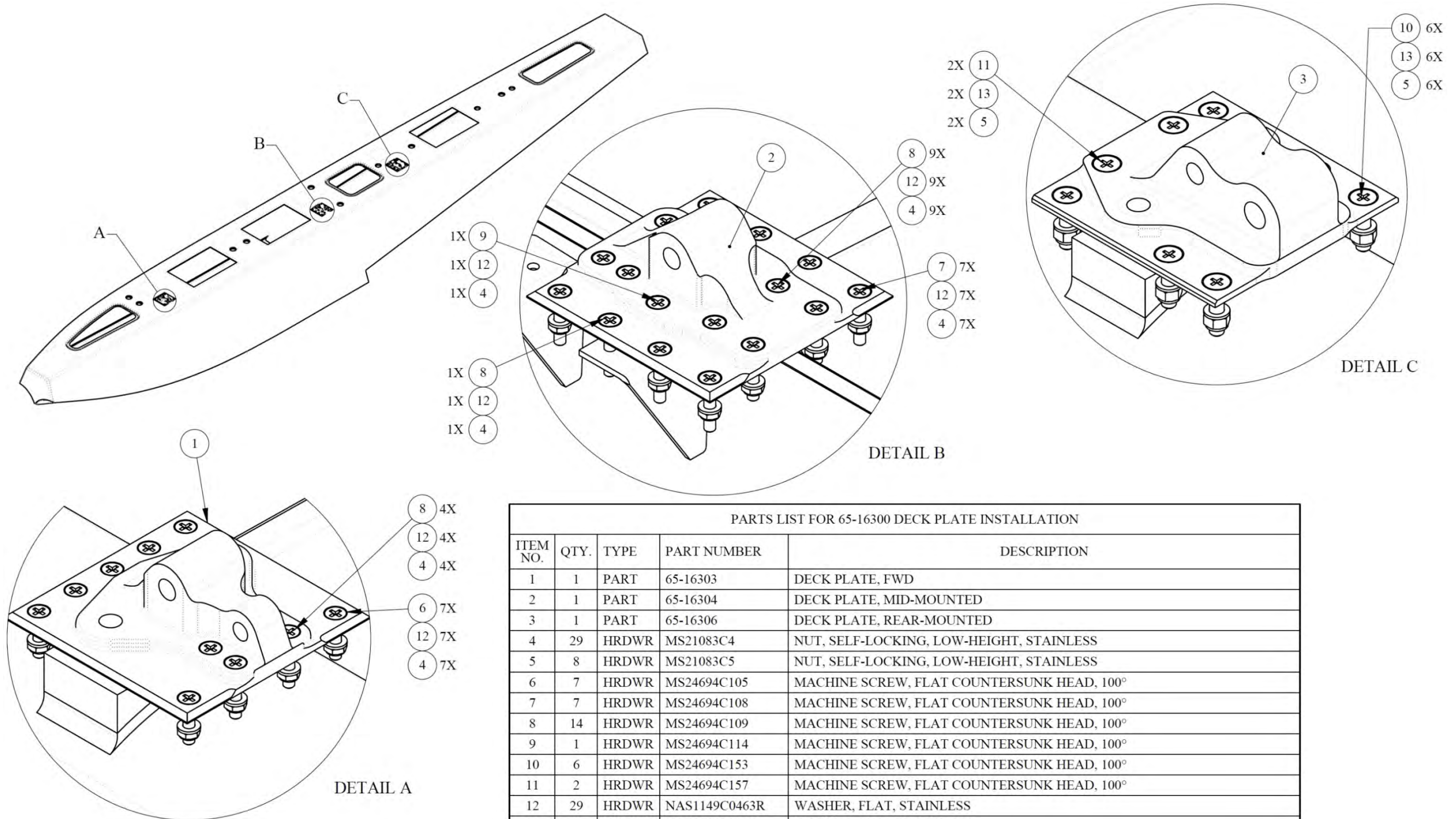
REF 65-17190 LIGHTNING STRIKE PROTECTION FOR ALL
FASTENERS NECESSARY FOR FWD KEEL STRIPS



ISSUE DATE: 02/11/15		 Incorporated TITLE: ICA Maintenance Manual for 6650 Floats on a Quest KODIAK 100	PAGE: A21 of A100
REVISION DATE: 6/27/2017			FILE NO.: A-10038 Appendix A
			REVISION: 1

16. 65-16300 DECK PLATE INSTALLATION

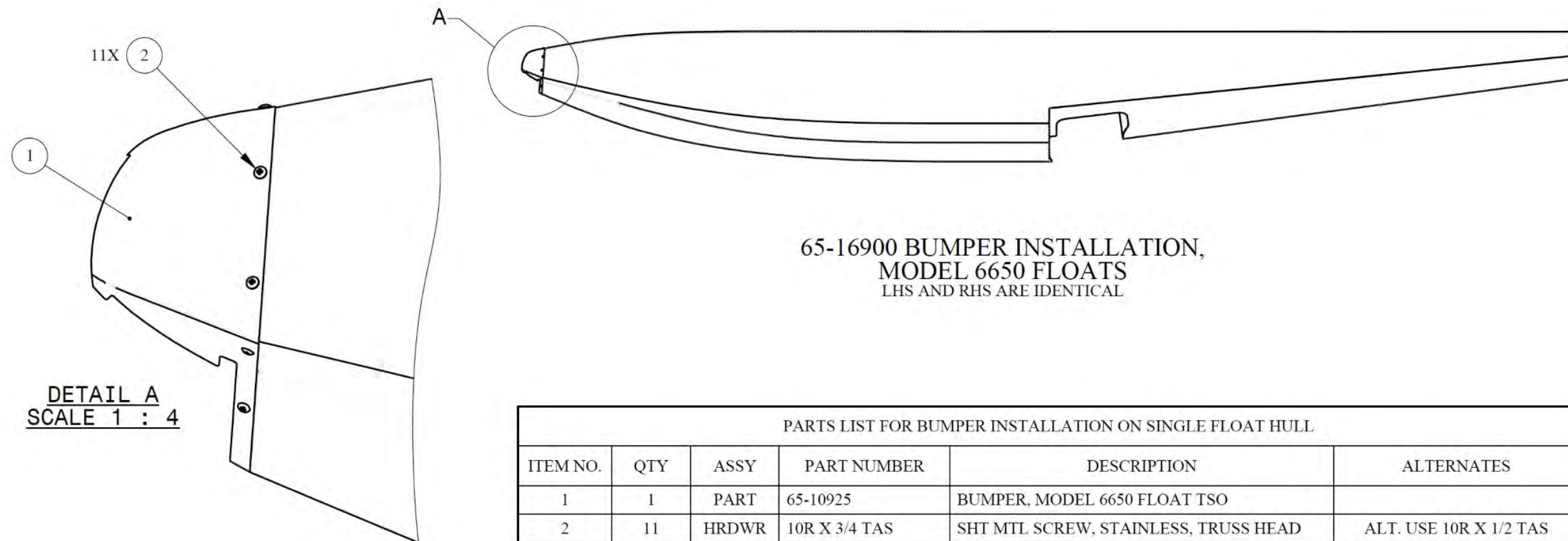
6650 Amphibian or 6750 Seaplane




PARTS LIST FOR 65-16300 DECK PLATE INSTALLATION				
ITEM NO.	QTY.	TYPE	PART NUMBER	DESCRIPTION
1	1	PART	65-16303	DECK PLATE, FWD
2	1	PART	65-16304	DECK PLATE, MID-MOUNTED
3	1	PART	65-16306	DECK PLATE, REAR-MOUNTED
4	29	HRDWR	MS21083C4	NUT, SELF-LOCKING, LOW-HEIGHT, STAINLESS
5	8	HRDWR	MS21083C5	NUT, SELF-LOCKING, LOW-HEIGHT, STAINLESS
6	7	HRDWR	MS24694C105	MACHINE SCREW, FLAT COUNTERSUNK HEAD, 100°
7	7	HRDWR	MS24694C108	MACHINE SCREW, FLAT COUNTERSUNK HEAD, 100°
8	14	HRDWR	MS24694C109	MACHINE SCREW, FLAT COUNTERSUNK HEAD, 100°
9	1	HRDWR	MS24694C114	MACHINE SCREW, FLAT COUNTERSUNK HEAD, 100°
10	6	HRDWR	MS24694C153	MACHINE SCREW, FLAT COUNTERSUNK HEAD, 100°
11	2	HRDWR	MS24694C157	MACHINE SCREW, FLAT COUNTERSUNK HEAD, 100°
12	29	HRDWR	NAS1149C0463R	WASHER, FLAT, STAINLESS
13	8	HRDWR	NAS1149C0563R	WASHER, FLAT, STAINLESS

		AEROCET Incorporated			
ISSUE DATE:	02/11/15	TITLE: ICA Maintenance Manual for 6650 Floats on a Quest KODIAK 100		PAGE	A22 of A100
REVISION DATE:	6/27/2017			FILE NO.	A-10038 Appendix A
				REVISION	1

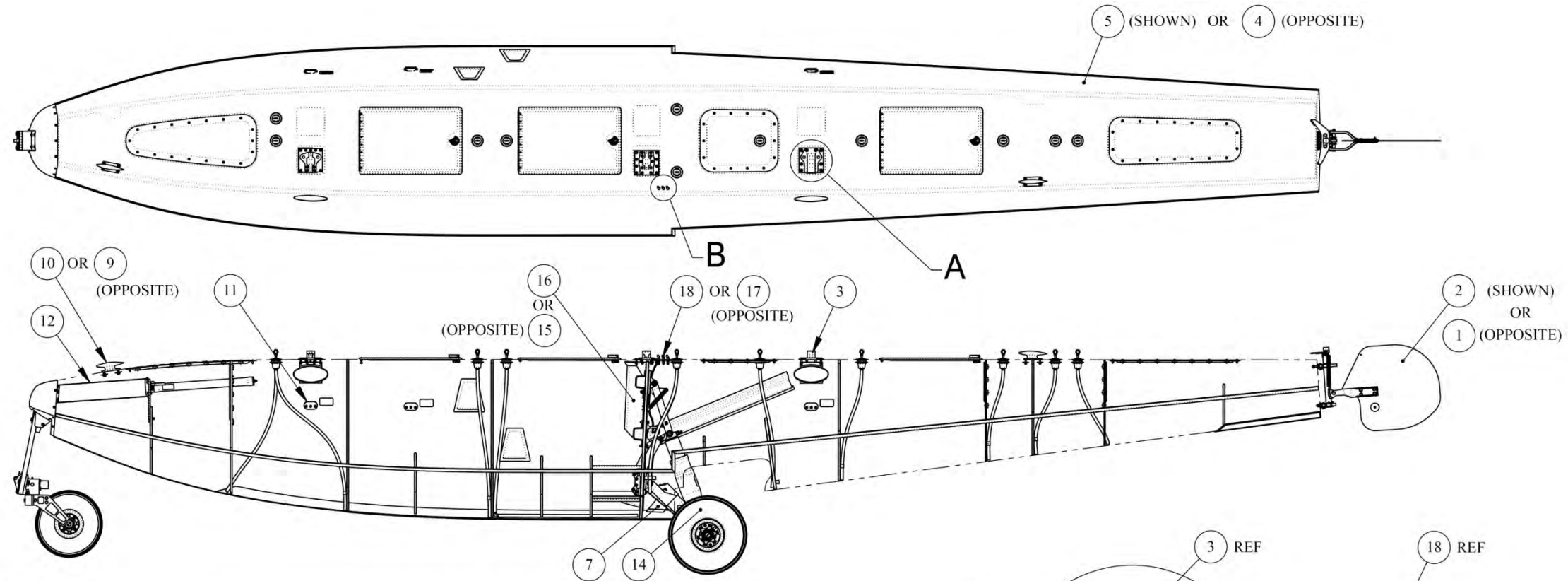
17. 65-16900 BUMPER INSTALLATION, 6650 AMPHIBIAN



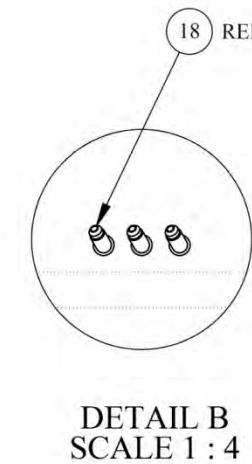
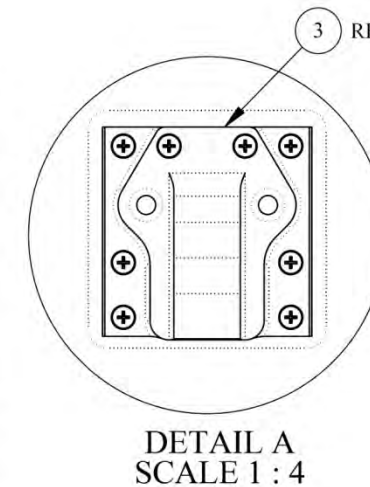
PARTS LIST FOR BUMPER INSTALLATION ON SINGLE FLOAT HULL					
ITEM NO.	QTY	ASSY	PART NUMBER	DESCRIPTION	ALTERNATES
1	1	PART	65-10925	BUMPER, MODEL 6650 FLOAT TSO	
2	11	HRDWR	10R X 3/4 TAS	SHT MTL SCREW, STAINLESS, TRUSS HEAD	ALT. USE 10R X 1/2 TAS


ISSUE DATE: 02/11/15		 Incorporated TITLE: ICA Maintenance Manual for 6650 Floats on a Quest KODIAK 100	PAGE: A23 of A100
REVISION DATE: 6/27/2017			FILE NO.: A-10038 Appendix A
			REVISION: 1

18. 65-17000 HULL ASSEMBLY, 6650 AMPHIBIAN

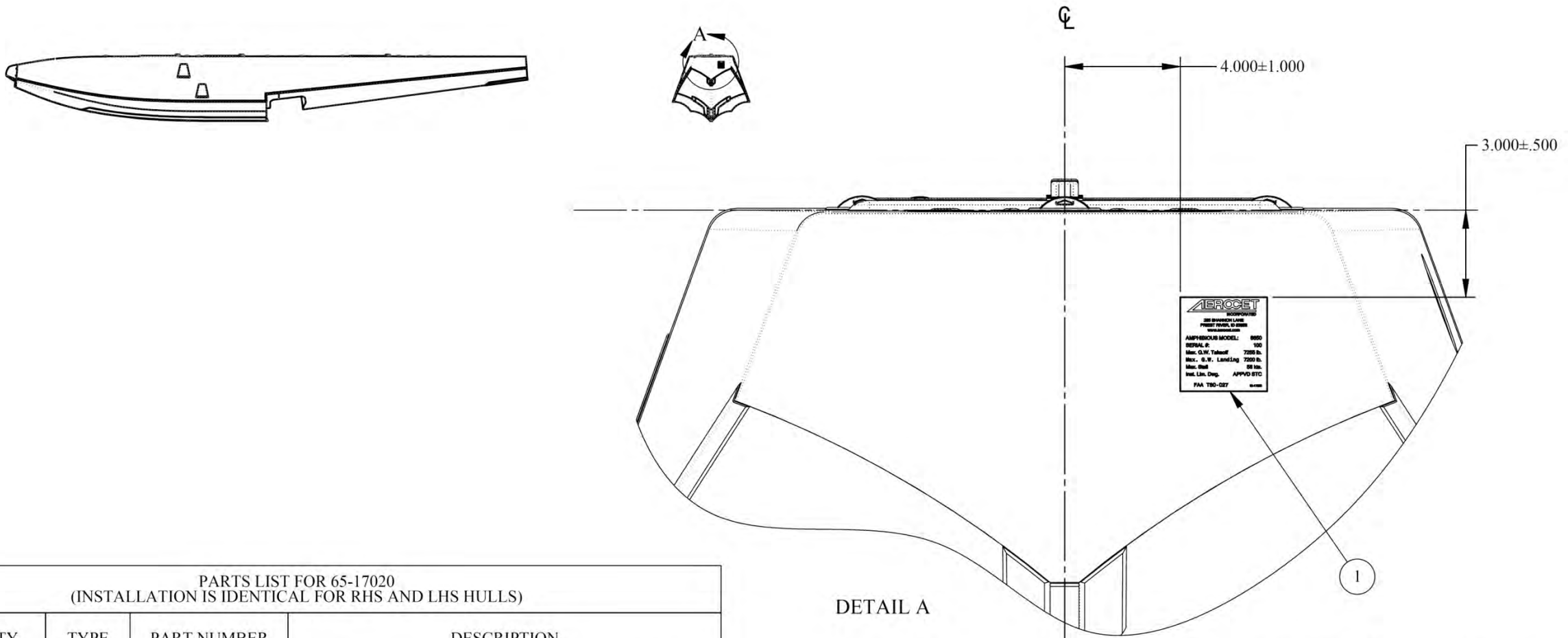


PARTS LIST FOR 65-17000-L (LHS) OR -R (RHS) FLOAT HULL ASSEMBLIES					
ITEM NO.	65-17000-R QTY.	65-17000-L QTY.	TYPE	PART NUMBER	DESCRIPTION
1	-	1	ASSY	56-10150-2L	TILLER AND RUDDER INSTALLATION
2	1	-	ASSY	56-10150-2R	TILLER AND RUDDER INSTALLATION
3	1	1	ASSY	65-16300	DECK PLATE INSTALLATION
4	-	1	ASSY	65-17100-L	COMPOSITE FLOAT HULL ASSEMBLY, CARBON FIBER
5	1	-	ASSY	65-17100-R	COMPOSITE FLOAT HULL ASSEMBLY, CARBON FIBER
6	1	1	REF	65-17104	FLOAT STRIPES, SURFACE AREAS, AEROCET MODEL 6650 & 6750 FLOATS
7	1	1	ASSY	65-17170	ROCK GUARD INSTALLATION
8	1	1	ASSY	65-17190	LSP BONDING, COMPOSITE HULL
9	-	1	ASSY	65-17400-L	DECK CLEAT INSTALLATION, LHS
10	1	-	ASSY	65-17400-R	DECK CLEAT INSTALLATION, RHS
11	1	1	ASSY	65-17700	ANCHOR PLATE INSTALLATION
12	1	1	ASSY	65-42000	NOSE GEAR ASSEMBLY
13	1	1	ASSY	65-42600	SPLASH GUARD INSTALLATION
14	1	1	ASSY	65-45000	MAIN GEAR ASSEMBLY
15	-	1	ASSY	65-45030-L	REINFORCEMENTS, LHS, MAIN GEAR, INSTALLATION OF
16	1	-	ASSY	65-45030-R	REINFORCEMENTS, RHS, MAIN GEAR, INSTALLATION OF
17	-	1	ASSY	65-47000-L	BRAKE AND HYDRAULIC LINE INSTALLATION, LHS FLOAT
18	1	-	ASSY	65-47000-R	BRAKE AND HYDRAULIC LINE INSTALLATION, RHS FLOAT




ISSUE DATE: 02/11/15		 Incorporated TITLE: ICA Maintenance Manual for 6650 Floats on a Quest KODIAK 100	PAGE: A24 of A100
REVISION DATE: 6/27/2017			FILE NO.: A-10038 Appendix A
			REVISION: 1

19. 65-17020 DATA PLACARD INST. 6650 AMPHIBIAN

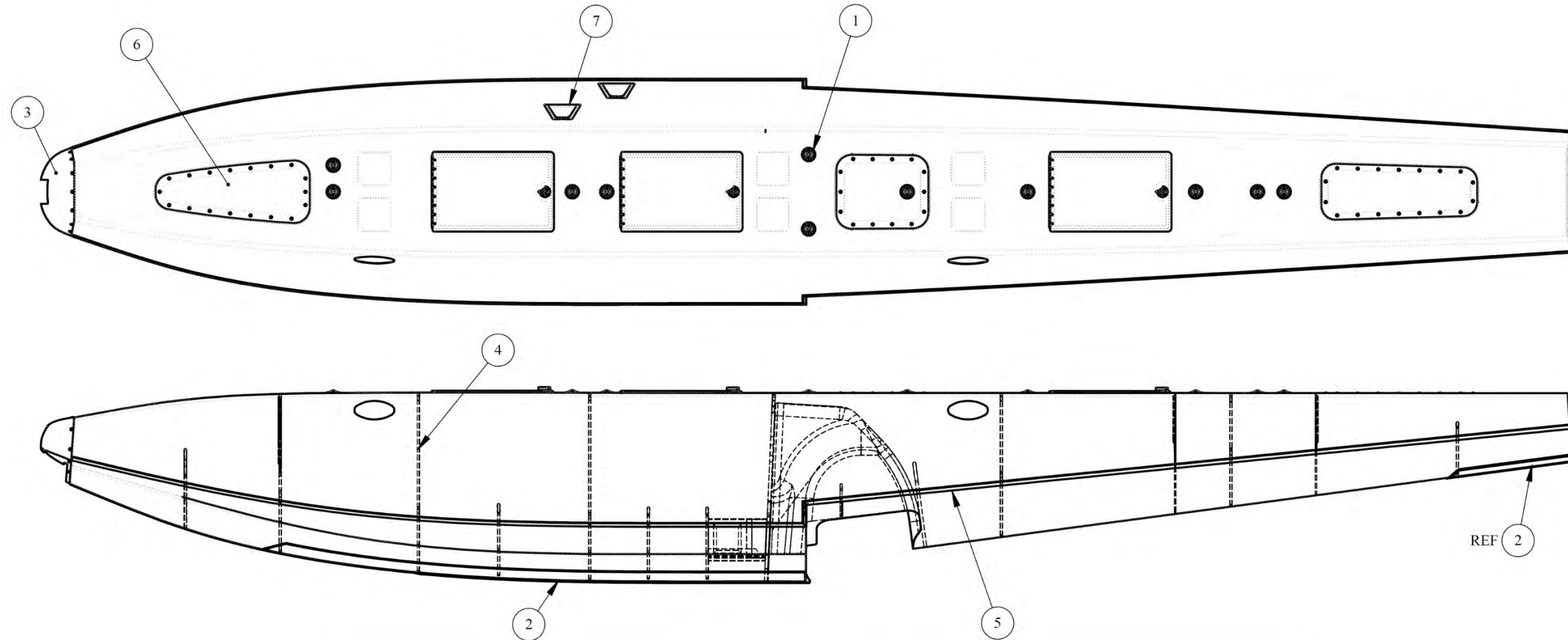


PARTS LIST FOR 65-17020 (INSTALLATION IS IDENTICAL FOR RHS AND LHS HULLS)				
ITEM NO.	QTY	TYPE	PART NUMBER	DESCRIPTION
1	1	PART	65-17025	DATA PLACARD, AEROCET MODEL 6650 FLOATS


AFFIX DATA PLACARD USING PERMANENT ADHESIVE SUCH AS SCOTCH 9471 VHB DOUBLE SIDED TAPE OR EQUIVALENT
 (PLACARD MAY ALTERNATIVELY BE SUPPLIED WITH ADHESIVE PRE-APPLIED)
 POSITION IS IDENTICAL FOR BOTH RHS AND LHS FLOAT INSTALLATIONS

ISSUE DATE: 02/11/15		 Incorporated TITLE: ICA Maintenance Manual for 6650 Floats on a Quest KODIAK 100	PAGE: A25 of A100
REVISION DATE: 6/27/2017			FILE NO.: A-10038 Appendix A
			REVISION: 1

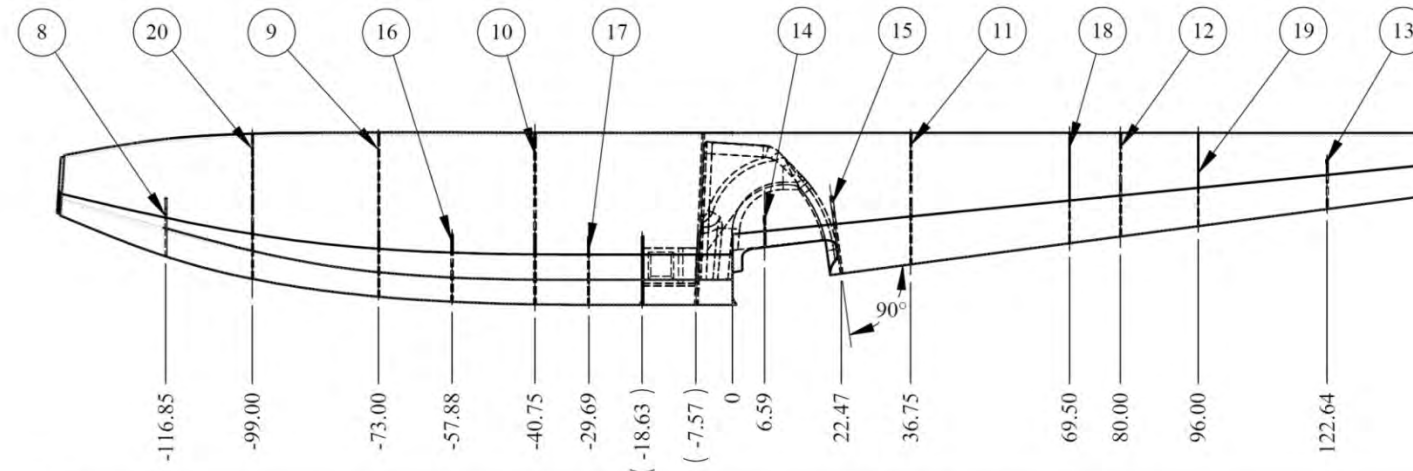
20. 65-17100 COMPOSITE HULL ASSY, 6650 AMPHIBIAN




PARTS LIST FOR 65-17100 COMPOSITE HULL ASSEMBLY					
ITEM NO.	65-17100-R QTY	65-17100-L QTY	TYPE	PART NUMBER	DESCRIPTION
1	1	1	ASSY	65-16170	PUMP OUT WELL INSTALLATION
2	1	1	ASSY	65-16190	KEEL AND WEAR STRIP INSTALLATION
3	1	1	ASSY	65-16900	BUMPER INSTALLATION
4	1	1	ASSY	65-17110	BULKHEAD INSTALLATION, CARBON FIBER CONSTRUCTION
5	1	1	ASSY	65-17160	CHINE RUB STRIP INSTALLATION
6	1	1	ASSY	65-17500	ACCESS PANEL AND LOCKER DOOR INSTALLATION
7	1	1	ASSY	65-17600	FLOAT BOARDING STEP INSTALLATION

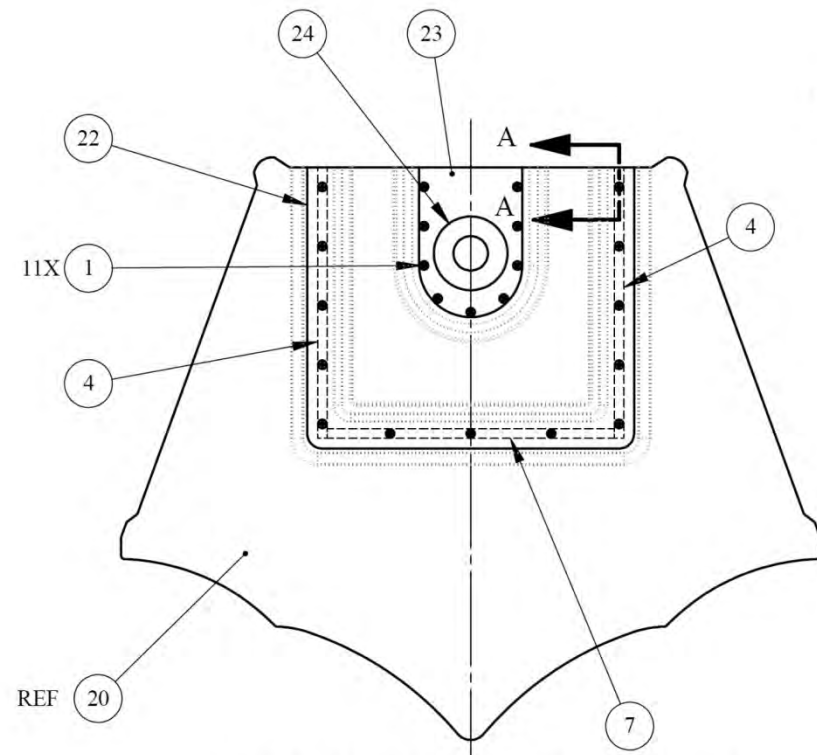
ISSUE DATE: 02/11/15		 Incorporated TITLE: ICA Maintenance Manual for 6650 Floats on a Quest KODIAK 100	PAGE: A26 of A100
REVISION DATE: 6/27/2017			FILE NO.: A-10038 Appendix A
			REVISION: 1

21. 65-17110 BULKHEAD INSTALLATION, 6650 AMPHIAN

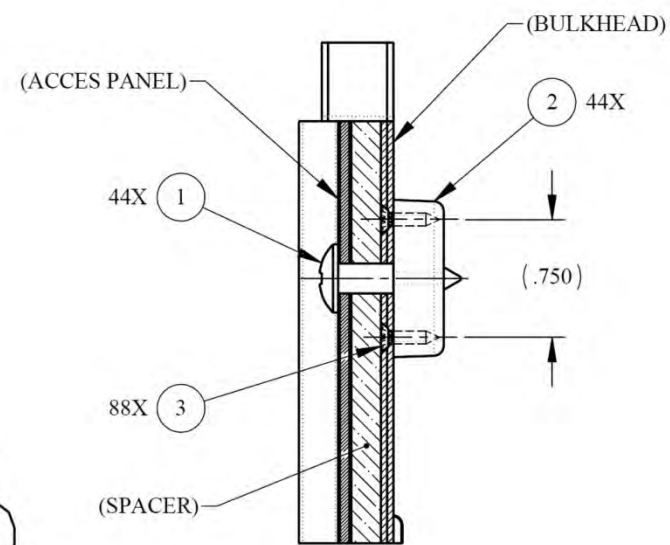


PARTS LIST FOR 65-17110 BULKHEAD INSTALLATION				
ITEM NO.	QTY	TYPE	PART NUMBER	DESCRIPTION
1	44	HRDWR	10R X 3/4 TAS	SHT MTL SCREW, STAINLESS, TRUSS HEAD
2	44	PART	35-80047	NUTPLATE, FOR USE WITH #10 SHEET METAL SCREWS
3	88	PART	35-80048-04-0375	SHEET METAL SCREW, UNDERCUT FLAT HEAD, TYPE A OR AB, STAINLESS
4	2	PART	65-16133-1	SPACER, ACCESS DOOR
5	4	PART	65-16133-2	SPACER, ACCESS DOOR
6	2	PART	65-16133-3	SPACER, ACCESS DOOR
7	1	PART	65-16133-4	SPACER, ACCESS DOOR
8	1	PART	65-17112	PARTIAL BULKHEAD, STA. -116.85, CARBON FIBER
9	1	PART	65-17115	BULKHEAD, STA. -73.00, CARBON FIBER
10	1	PART	65-17116	BULKHEAD, STA. -40.75, CARBON FIBER
11	1	PART	65-17118	BULKHEAD, STA. 36.75, CARBON FIBER
12	1	PART	65-17119	BULKHEAD, STA. 80.00, CARBON FIBER
13	1	PART	65-17120	PARTIAL BULKHEAD, STA. 122.64, CARBON FIBER
14	2	PART	65-17121	PARTIAL BULKHEAD, STA. 6.59, CARBON FIBER
15	1	PART	65-17122	PARTIAL BULKHEAD, STA. 22.47, CARBON FIBER
16	1	PART	65-17123	PARTIAL BULKHEAD, STA. -57.88, CARBON FIBER
17	1	PART	65-17124	PARTIAL BULKHEAD, STA's. -29.69 & -18.63, CARBON FIBER
18	1	PART	65-17125	FLOATATION BULKHEAD, STA. 69.50, CARBON FIBER
19	1	PART	65-17126	FLOATATION BULKHEAD, STA. 96.00, CARBON FIBER
20	1	PART	65-17127	FLOATATION BULKHEAD, STA. -99.00, CARBON FIBER
21	2	PART	65-17131	ACCESS DOOR, FLOATATION BULKHEAD, STA. 69.50 & 96.00, CARBON FIBER
22	1	PART	65-17132	ACCESS DOOR, FLOATATION BULKHEAD, STA. -99.00, CARBON FIBER
23	1	PART	65-17135	GROMMET PLATE, STA. -99
24	1	PART	65-17136	GROMMET, NOSE GEAR ACTUATOR BULKHEAD SEAL

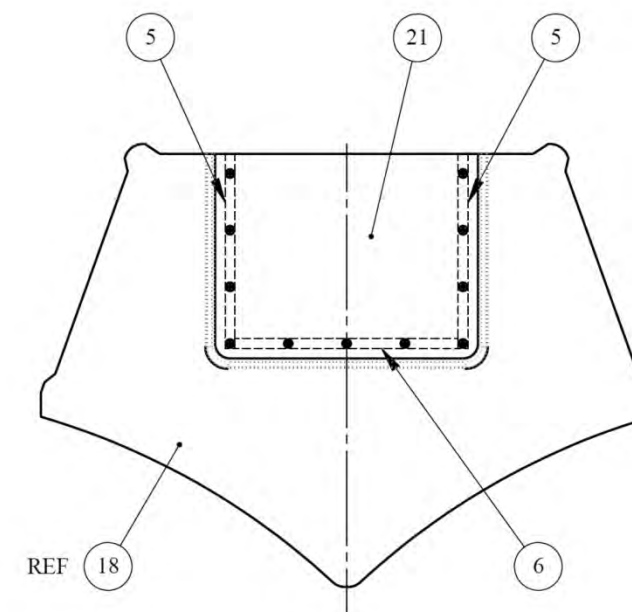
ISSUE DATE: 02/11/15		 Incorporated TITLE: ICA Maintenance Manual for 6650 Floats on a Quest KODIAK 100	PAGE: A27 of A100
REVISION DATE: 6/27/2017			FILE NO.: A-10038 Appendix A
			REVISION: 1



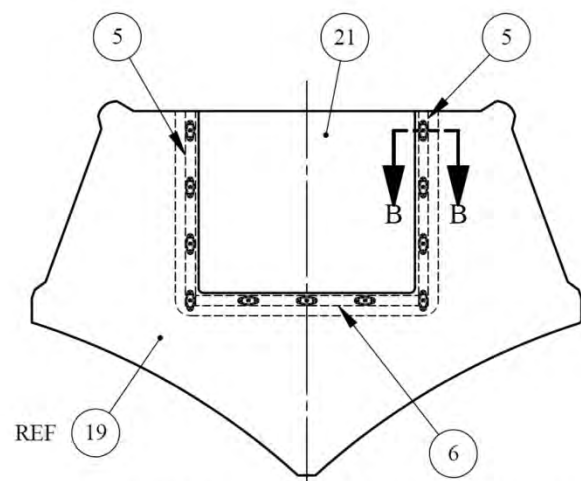
65-17127 FLOATATION BULKHEAD,
STA. -99.00, CARBON FIBER



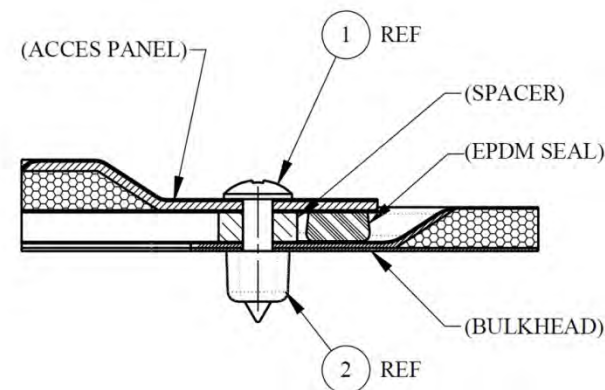
SECTION A-A
SCALE 1 : 1




65-17125 FLOATATION BULKHEAD,
STA. 69.50, CARBON FIBER



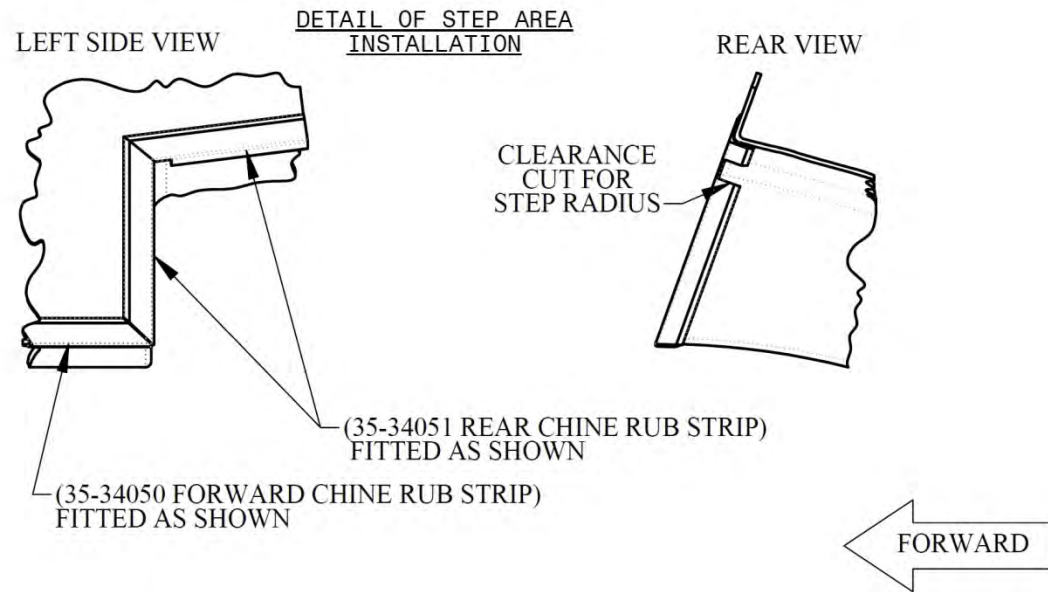
65-17126 FLOATATION BULKHEAD,
CARBON FIBER, STA. 96.00



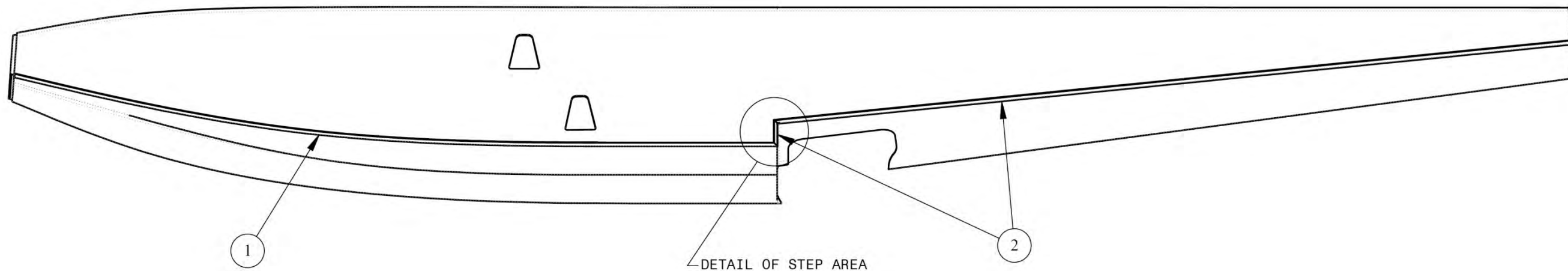
SECTION B-B
SCALE 1 : 1

ISSUE DATE: 02/11/15		 Incorporated TITLE: ICA Maintenance Manual for 6650 Floats on a Quest KODIAK 100	PAGE: A28 of A100
REVISION DATE: 6/27/2017			FILE NO.: A-10038 Appendix A
			REVISION: 1

22. 65-17160 CHINE RUB STRIP INST. 6650 AMPHIBIAN

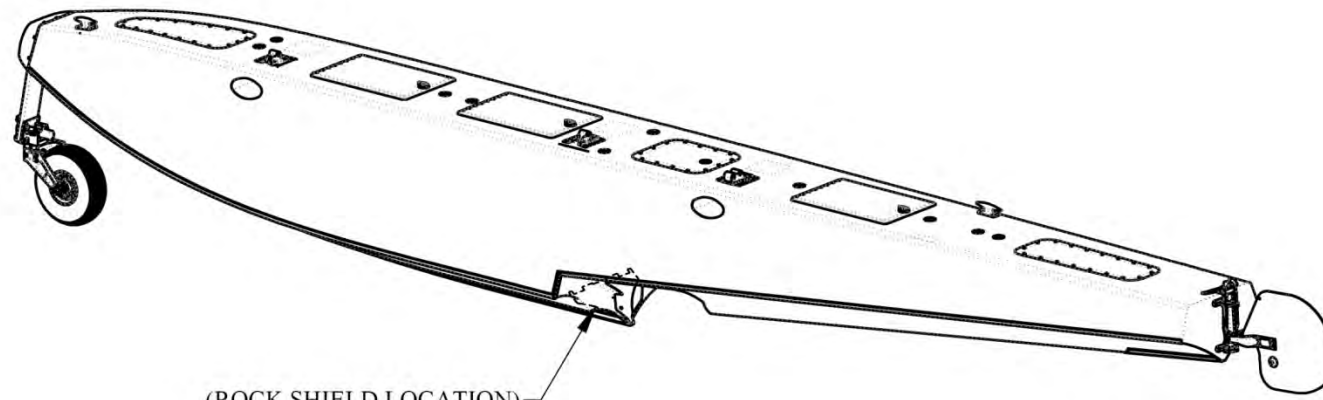


PARTS LIST FOR 65-17160 CHINE RUB STRIP INSTALLATION					
ITEM NO.	QTY	TYPE	PART NUMBER	DESCRIPTION	COMMENTS
1	1	ASSY	35-34050	FORWARD CHINE RUB STRIP	REQUIRES FITTING AT INSTALLATION
2	1	ASSY	35-34051	REAR CHINE RUB STRIP	



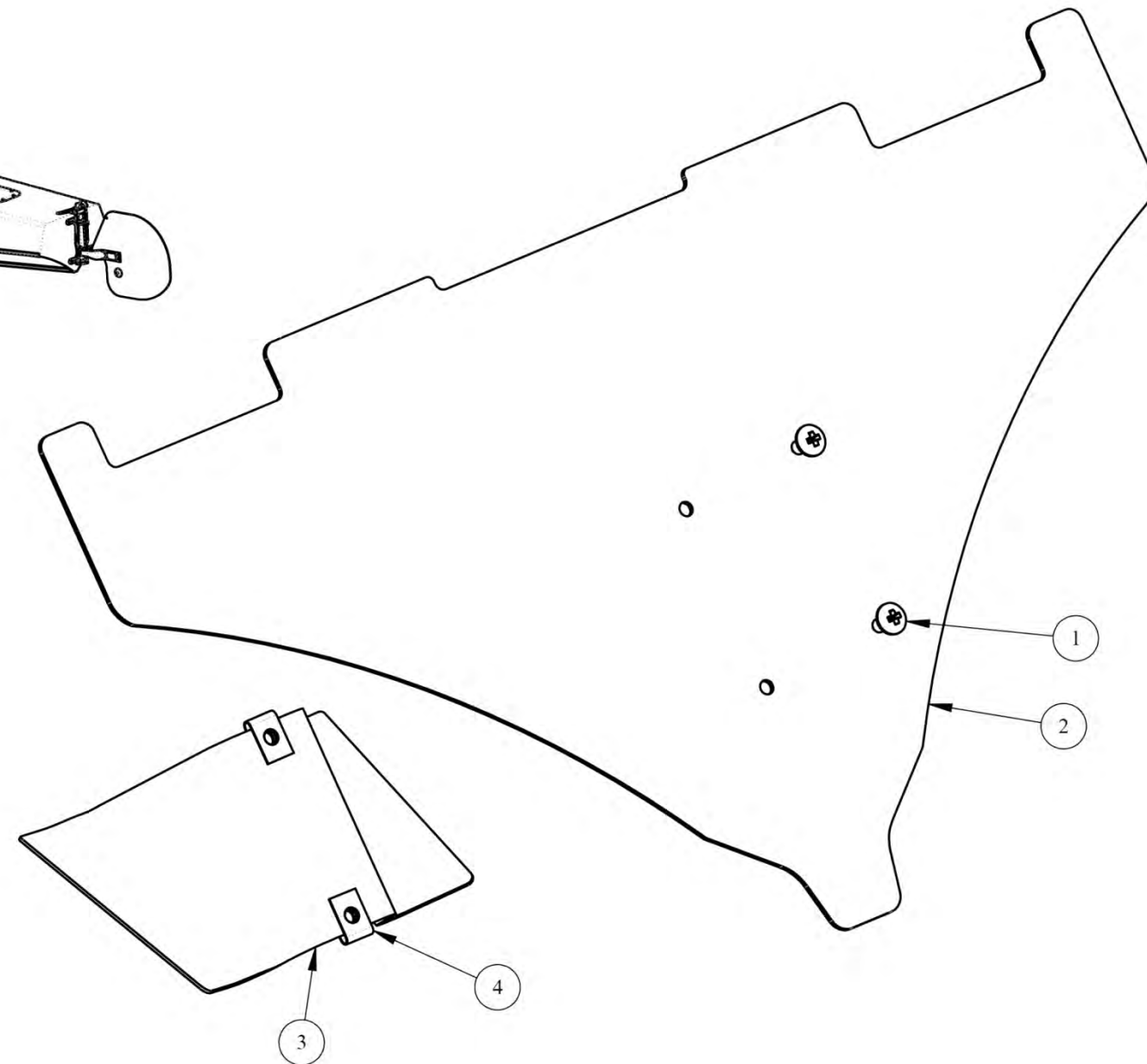
		AEROCET Incorporated			
ISSUE DATE:	02/11/15	TITLE:	ICA Maintenance Manual for 6650 Floats on a Quest KODIAK 100	PAGE	A29 of A100
REVISION DATE:	6/27/2017			FILE NO.	A-10038 Appendix A
				REVISION	1


23. 65-17170 ROCK SHIELD INST. 6650 AMPHIBIAN



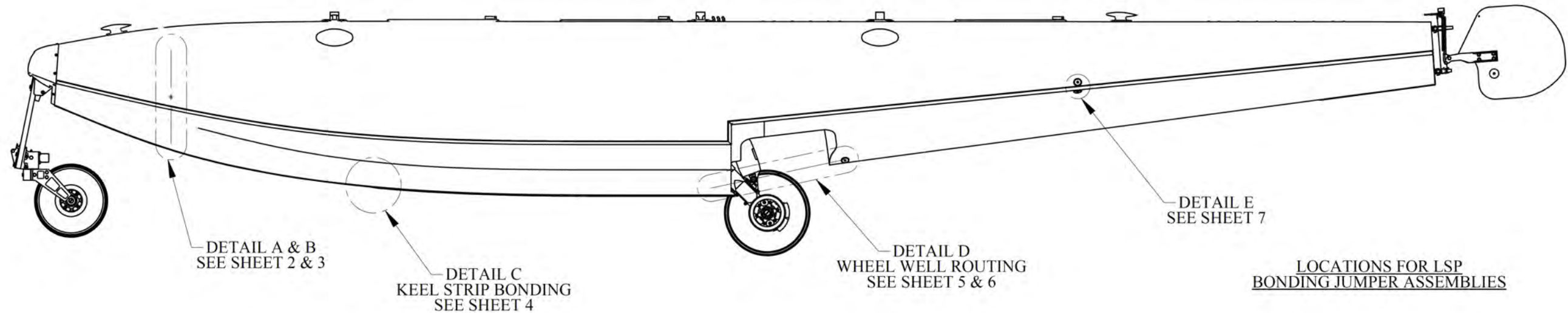
VIEW SHOWING 65-17000-R FLOAT HULL, RHS
65-45000 MAIN GEAR HIDDEN

PARTS LIST FOR 65-17170 ROCK SHIELD				
ITEM NO.	QTY	TYPE	PART NUMBER	DESCRIPTION
1	2	HRDWR	10R X 1/2 TAS	TRUSS HEAD SCREW, STAINLESS
2	1	PART	65-17171	ROCK GUARD SHIELD
3	1	PART	65-17172	ROCK GUARD SHIELD, MOUNTING BRACKET
4	2	HRDWR	575SS-1024-27	TINNERMAN FASTENER, DES. # C575SS-1024




ISSUE DATE: 02/11/15		 Incorporated TITLE: ICA Maintenance Manual for 6650 Floats on a Quest KODIAK 100	PAGE: A30 of A100
REVISION DATE: 6/27/2017			FILE NO.: A-10038 Appendix A
			REVISION: 1

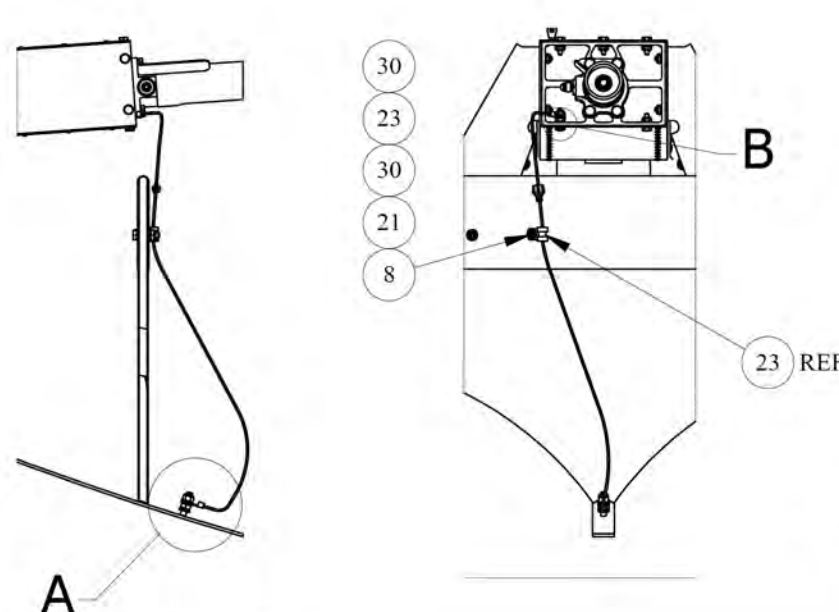
24. 65-17190 LIGHTNING STRIKE PROTECTION (LSP), 6650 AMPHIB.



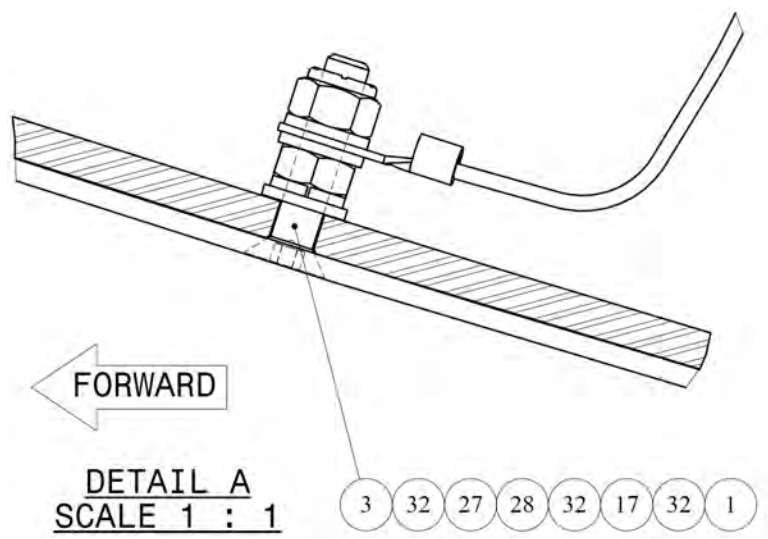
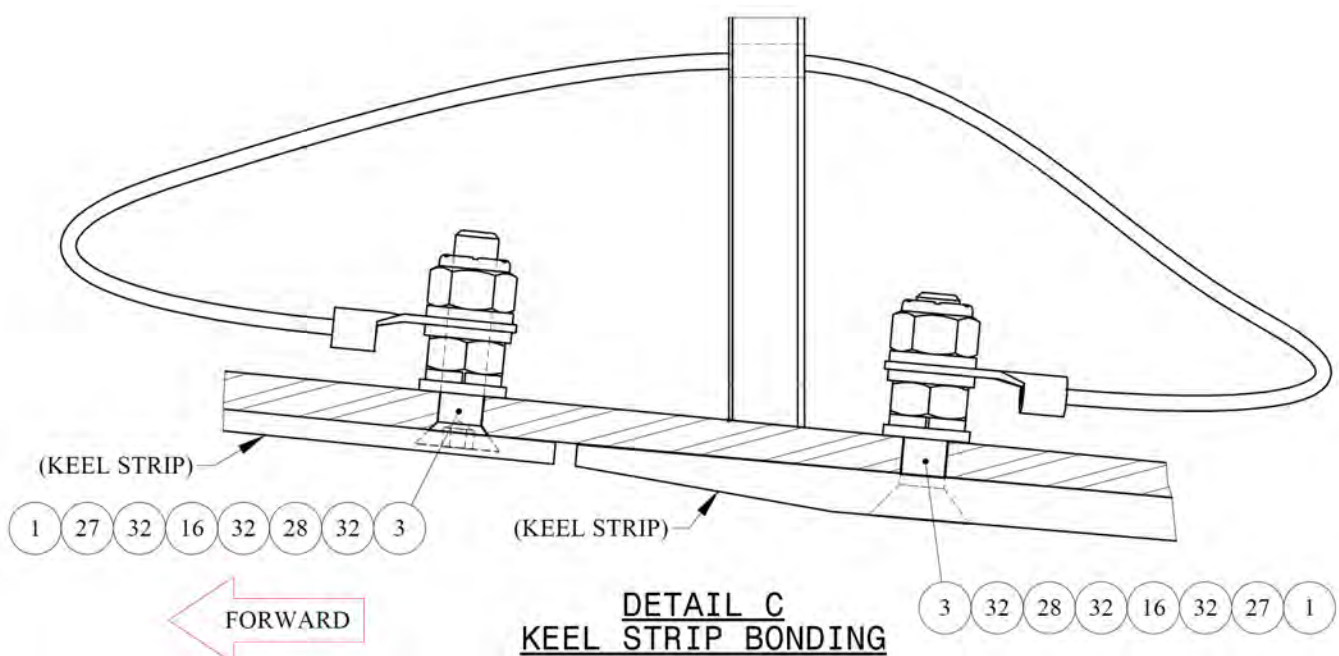
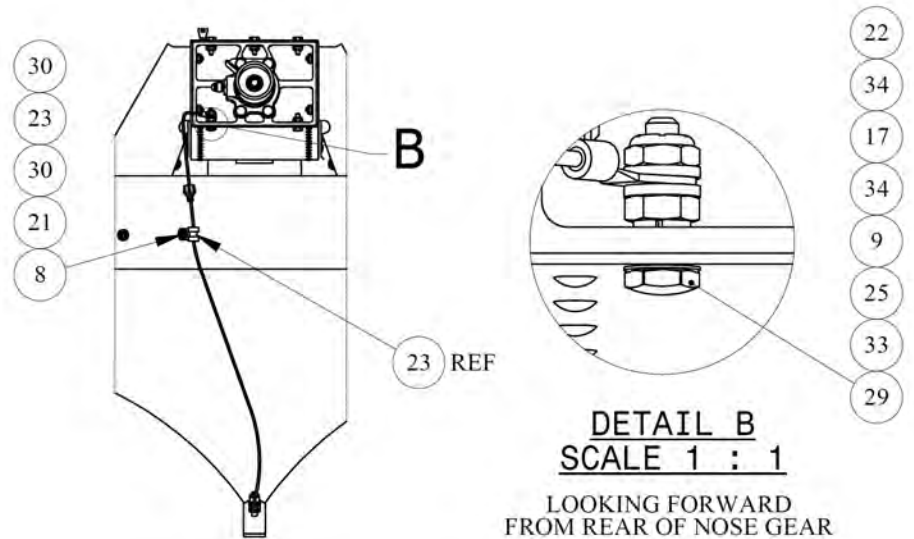
PARTS LIST FOR 65-17190 LSP BONDING				
ITEM NO.	QTY	TYPE	PART NUMBER	DESCRIPTION
1	9	HRDWR	1/4-20	NUT, SELF-LOCKING, 18-8 OR 300 SERIES STAINLESS
2	1	HRDWR	1/4-20 X 1 FAS	FLAT SOCKET CAP SCREW, 82°, 18-8 OR 300 SERIES S/S
3	7	HRDWR	1/4-20 X 1.25 FAS	FLAT SOCKET CAP SCREW, 82°, 18-8 OR 300 SERIES S/S
4	1	HRDWR	1/4-20 X 1.75 FAS	FLAT SOCKET CAP SCREW, 82°, 18-8 OR 300 SERIES S/S
5	4	PART	35-41056	TUBING GUIDE, CARBON FIBER
6	5	PART	65-17191	BONDING WASHER, LIGHTNING PROTECTION
7	2	PART	65-17193	SURGE ARRESTER, 3 ELECTRODE
8	1	HRDWR	AN3C7A	BOLT - MACHINE, AIRCRAFT, STAINLESS
9	1	HRDWR	AN315-3R	NUT, PLAIN, HEXAGON, FINE THREAD, 10-32
10	5	HRDWR	AN315-C3	NUT, PLAIN, HEXAGON, FINE THREAD, 10-32
11	A/R	HRDWR	FRN0.25TB	EXPANDABLE SLEEVING, Ø1/4", BLACK W/WHITE TRACER
12	A/R	HRDWR	M23053/4-301-0	INSULATION SLEEVING, ELECTRICAL, HEAT SHRINKABLE, POLYOLEFIN, DUAL-WALL, OUTER WALL CROSSLINKED
13	A/R	HRDWR	M23053/4-304	FLEXIBLE, FLAME RETARDANT, HIGH EXPANSION HEAT SHRINK TUBE
14	1	HRDWR	M83413/8-G006BB	LSP BOND WIRE
15	1	HRDWR	M83413/8-G006BB	LSP BOND WIRE
16	1	HRDWR	M83413/8-G013CC	LSP BOND WIRE
17	1	HRDWR	M83413/8-G027CB	LSP BOND WIRE

PARTS LIST FOR 65-17190 LSP BONDING				
ITEM NO.	QTY	TYPE	PART NUMBER	DESCRIPTION
18	1	HRDWR	M83413/8-G076CB	LSP BOND WIRE
19	4	HRDWR	MS3367-1-9	CABLE TIE
20	5	HRDWR	MS21044C3	NUT, SELF-LOCKING, REGULAR HEIGHT, STAINLESS
21	1	HRDWR	MS21083C3	NUT, SELF-LOCKING, LOW HEIGHT, STAINLESS
22	2	HRDWR	MS21083N3	NUT, SELF-LOCKING, LOW-HEIGHT
23	1	HRDWR	MS21919WDG3	WEDGE CLAMP
24	5	HRDWR	MS24693-C276	MACHINE SCREW, COUNTERSUNK HEAD
25	1	HRDWR	MS35338-43	SPLIT LOCK WASHER
26	5	HRDWR	MS35338-138	SPLIT LOCK WASHER, STAINLESS
27	4	HRDWR	MS35338-139	SPLIT LOCK WASHER, STAINLESS
28	4	HRDWR	MS35649-2254	NUT, PLAIN, HEXAGON, COARSE THREAD, 1/4-20
29	1	HRDWR	NAS428-3A7	BOLT, ADJUSTMENT, CROWNED HEAD
30	2	HRDWR	NAS1149C0316R	WASHER, FLAT, STAINLESS
31	15	HRDWR	NAS1149C0363R	WASHER, FLAT, STAINLESS
32	17	HRDWR	NAS1149C0463R	WASHER, FLAT, STAINLESS
33	1	HRDWR	NAS1149D0316J	WASHER, FLAT
34	2	HRDWR	NAS1149D0363J	WASHER, FLAT

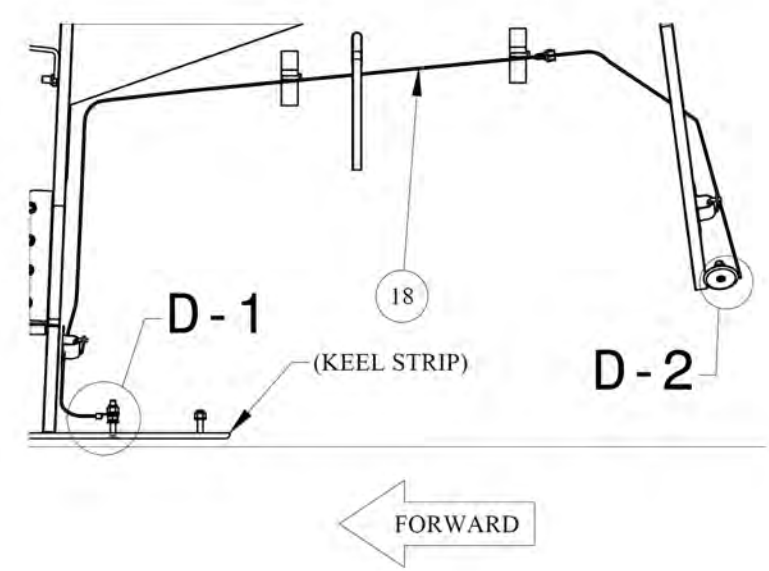
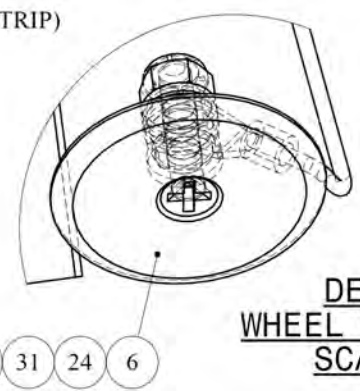
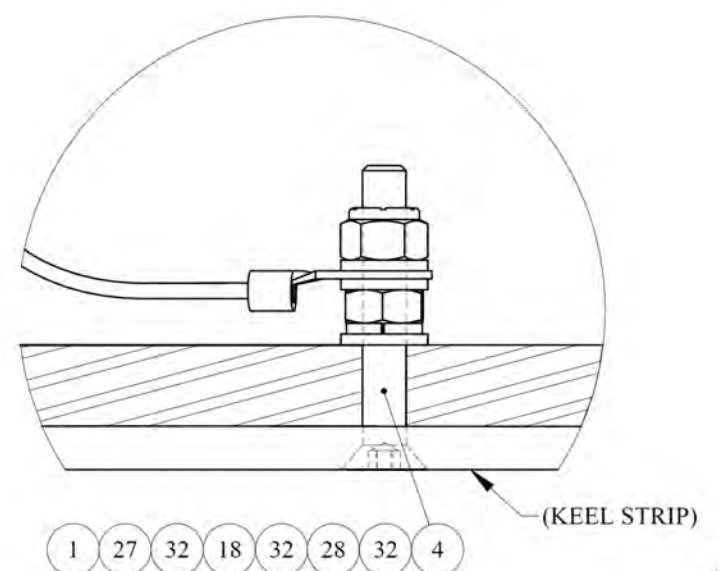
ISSUE DATE: 02/11/15		 Incorporated TITLE: ICA Maintenance Manual for 6650 Floats on a Quest KODIAK 100	PAGE: A31 of A100
REVISION DATE: 6/27/2017			FILE NO.: A-10038 Appendix A
			REVISION: 1



VIEW FROM LHS
SHOWING LSP CONNECTION,
KEEL TO NOSE GEAR SLIDE BOX
FLOAT HULL HIDDEN

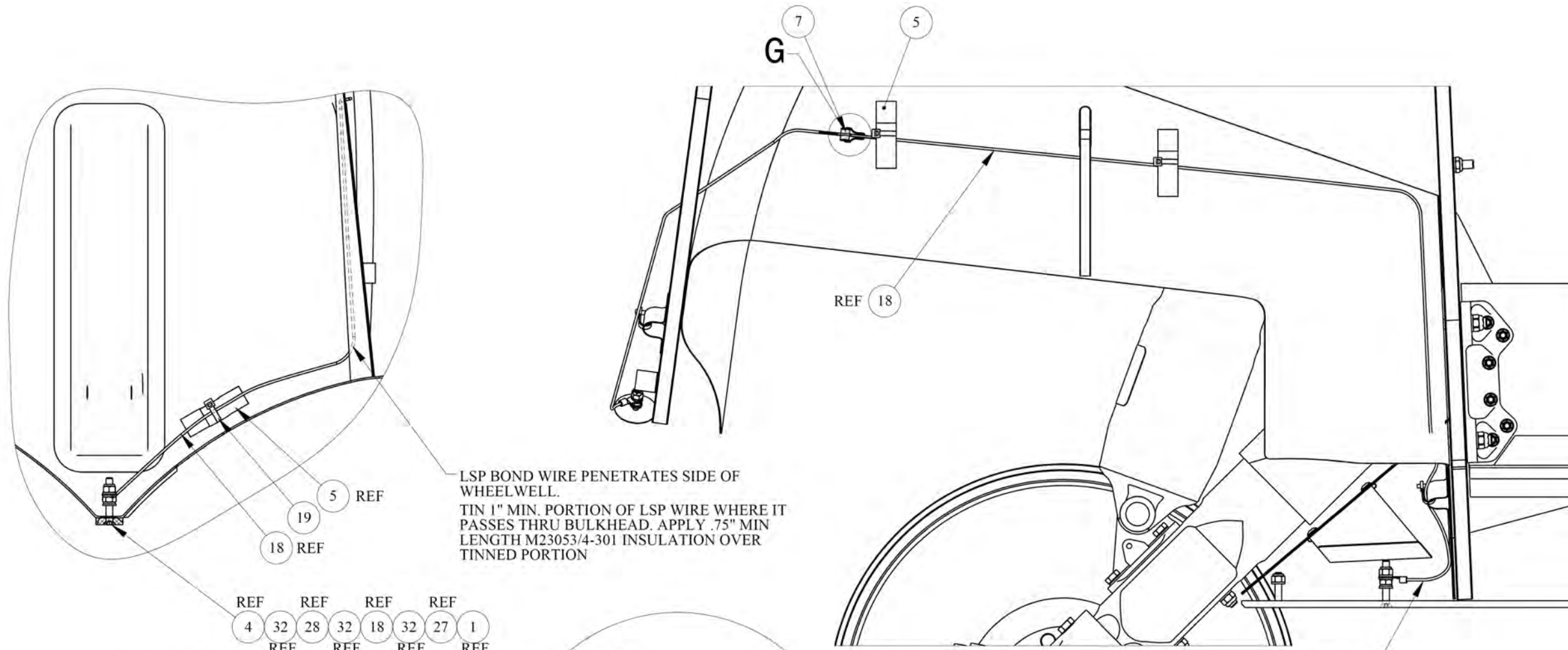


FORWARD



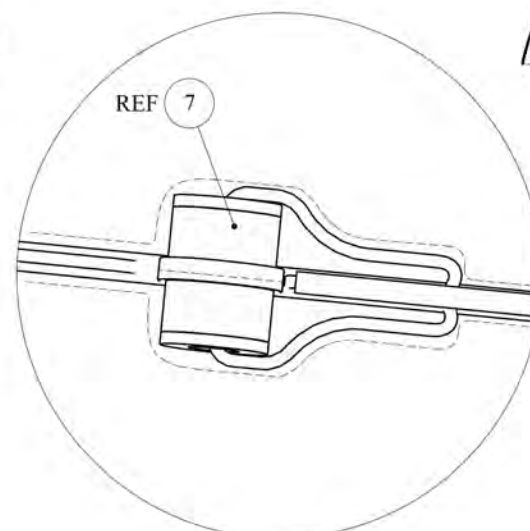
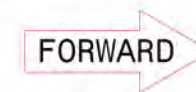
FORWARD

ISSUE DATE: 02/11/15		AEROCET Incorporated	PAGE	A32 of A100
			FILE NO.	A-10038 Appendix A
REVISION DATE: 6/27/2017	TITLE: ICA Maintenance Manual for 6650 Floats on a Quest KODIAK 100		REVISION	1



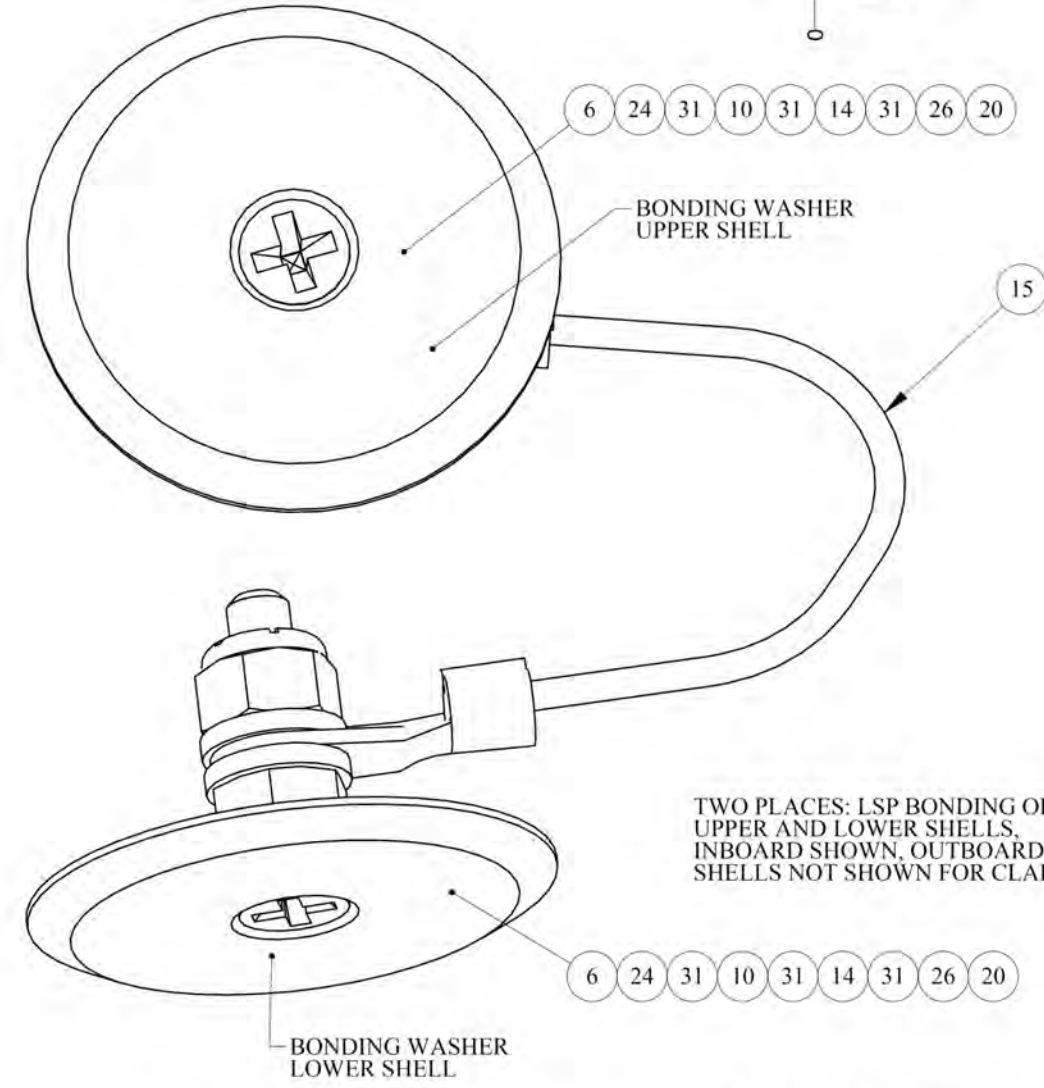
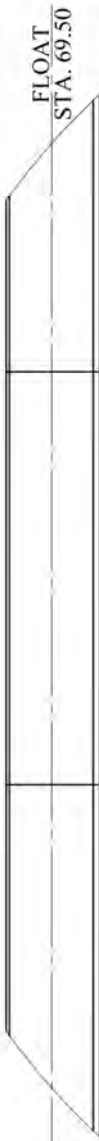
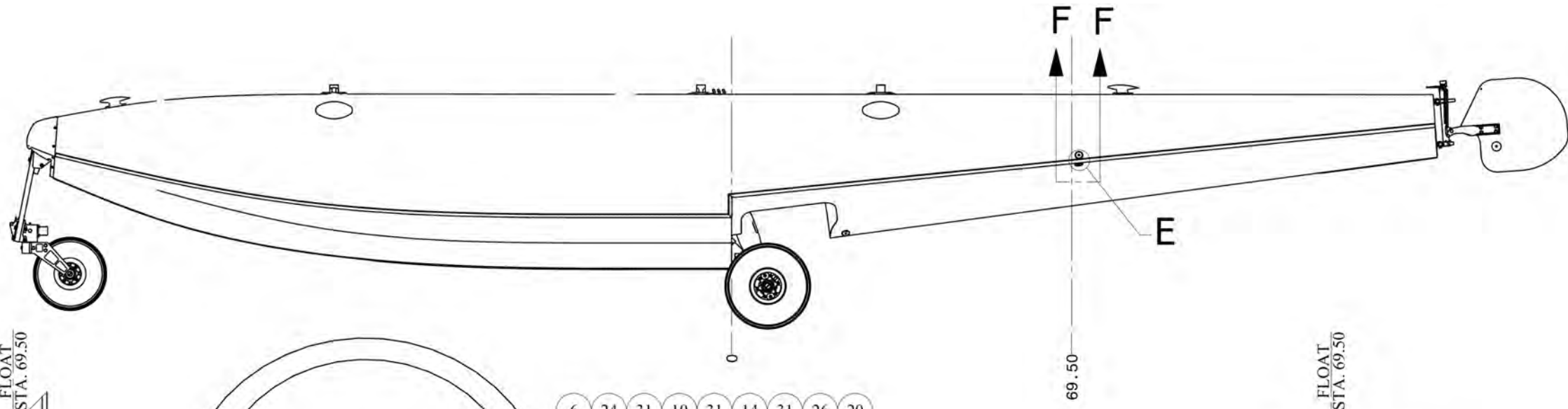
WHEEL WELL LOOKING FORWARD

WHEEL WELL OUTBOARD SIDE

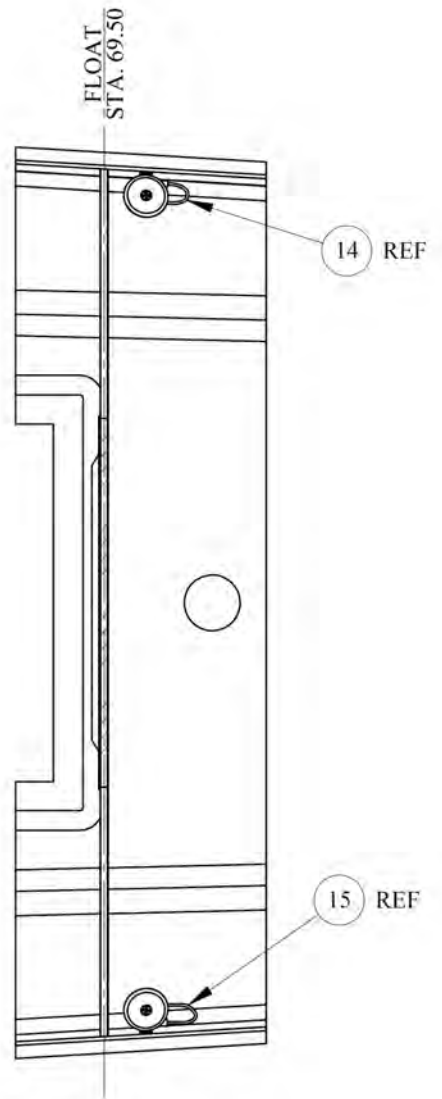


DETAIL G
SCALE 2 : 1
SURGE ARRESTER SHOWN
WITHOUT OUTER SHRINK WRAP

ISSUE DATE: 02/11/15		AEROCET Incorporated	PAGE	A33 of A100
			FILE NO.	A-10038 Appendix A
REVISION DATE: 6/27/2017	TITLE: ICA Maintenance Manual for 6650 Floats on a Quest KODIAK 100		REVISION	1




TWO PLACES: LSP BONDING OF UPPER AND LOWER SHELLS. INBOARD SHOWN, OUTBOARD SAME. SHELLS NOT SHOWN FOR CLARITY.

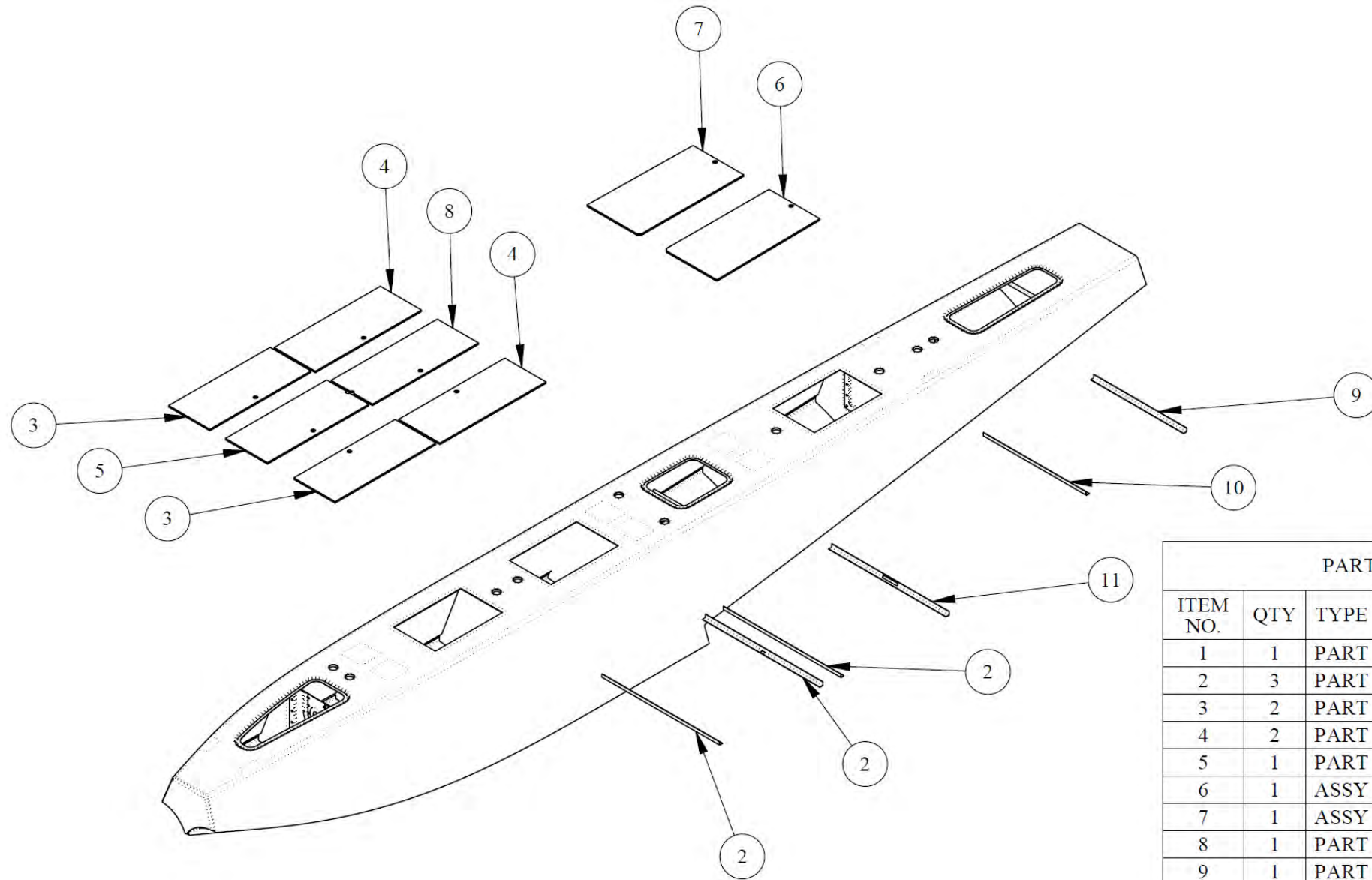


VIEWS SHOWN WITH SHELLS OF FLOAT HULL HIDDEN TO SHOW DETAILS


SECTION F-F

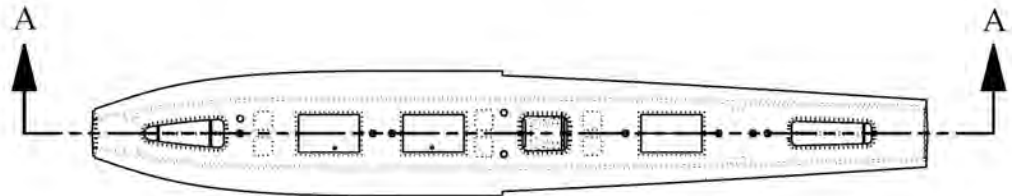
ISSUE DATE: 02/11/15		 Incorporated TITLE: ICA Maintenance Manual for 6650 Floats on a Quest KODIAK 100	PAGE: A34 of A100
REVISION DATE: 6/27/2017			FILE NO.: A-10038 Appendix A
			REVISION: 1

25. 65-17300 FLOOR BOARD INSTALLATION, 6750 SEAPLANE

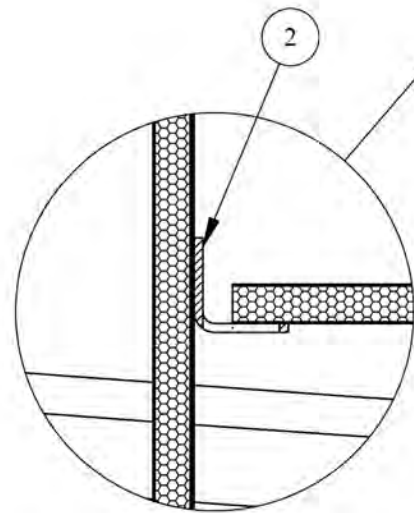
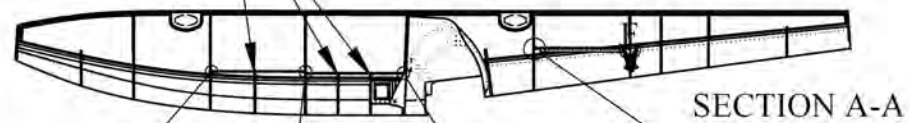


PARTS LIST FOR 65-17300 FLOOR BOARD INSTALLATION, 6650 AMPHIBIAN				
ITEM NO.	QTY	TYPE	PART NUMBER	DESCRIPTION
1	1	PART	35-80053	1/2" FLEXIBLE, CONVOLUTED, SPLIT LOOM
2	3	PART	65-17301	GUSSET, FLOOR BOARD, CARGO HATCH
3	2	PART	65-17302-1	FLOOR BOARD, CARGO HATCH, FWD BAY
4	2	PART	65-17302-2	FLOOR BOARD, CARGO HATCH, CENTER BAY
5	1	PART	65-17302-3	FLOOR BOARD, CARGO HATCH, FWD BAY, CENTER
6	1	ASSY	65-17302-4L	FLOOR BOARD, CARGO HATCH, LHS
7	1	ASSY	65-17302-4R	FLOOR BOARD, CARGO HATCH, RHS
8	1	PART	65-17302-5	FLOOR BOARD, CARGO HATCH, CENTER BAY
9	1	PART	65-17304-1	GUSSET, FLOOR BOARD, CARGO HATCH, AFT BAY
10	1	PART	65-17304-2	GUSSET, FLOOR BOARD, CARGO HATCH, AFT BAY
11	1	PART	65-17305	GUSSET, FLOOR BOARD, CARGO HATCH, CENTER BAY, AFT

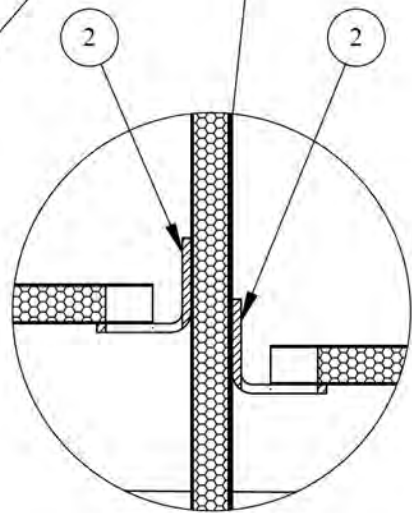
ISSUE DATE: 02/11/15		 Incorporated TITLE: ICA Maintenance Manual for 6650 Floats on a Quest KODIAK 100	PAGE: A35 of A100
REVISION DATE: 6/27/2017			FILE NO.: A-10038 Appendix A
			REVISION: 1



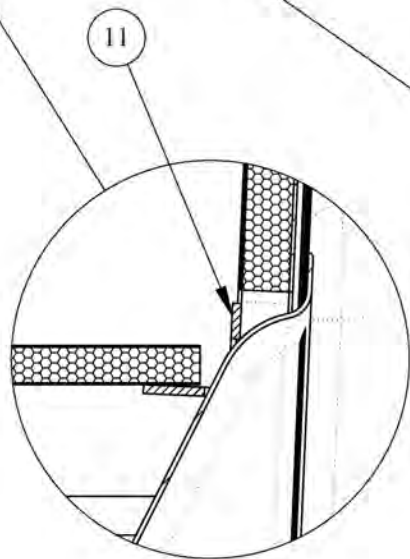
APPLY 35-80053
CONVOLUTED SPLIT LOOM
TO TOPS OF PARTIAL
BULKHEADS



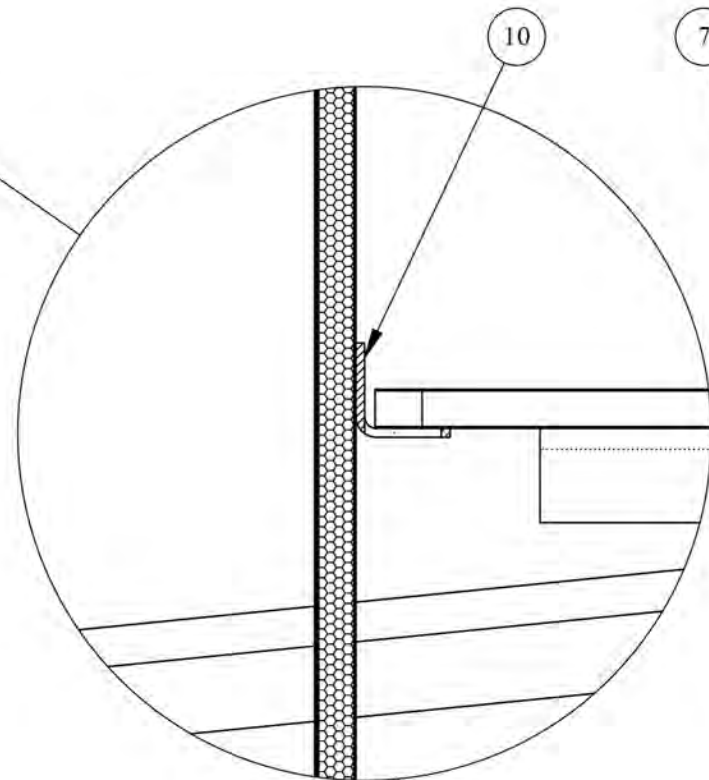
DETAIL B
SCALE 1 : 2



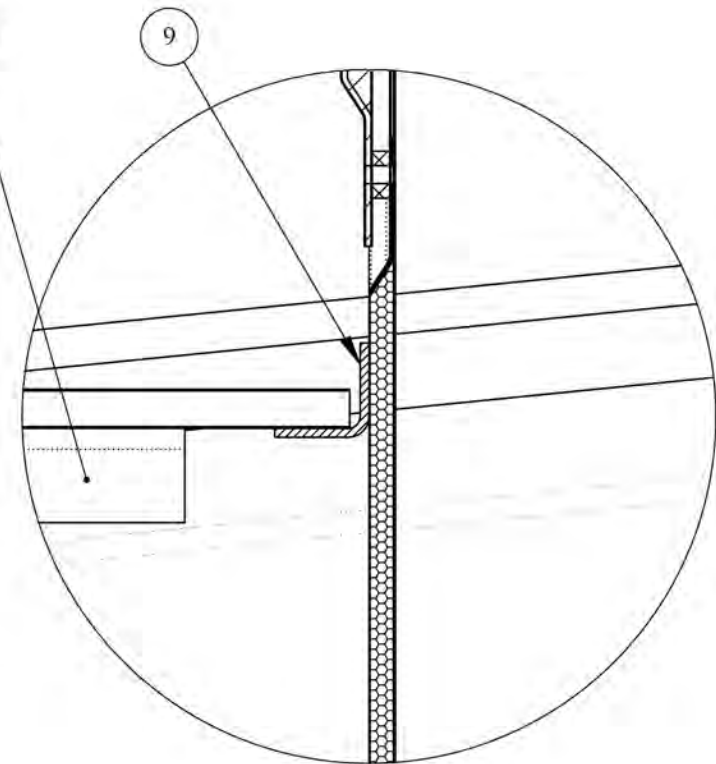
DETAIL C
SCALE 1 : 2




DETAIL D
SCALE 1 : 2



DETAIL E
SCALE 1 : 2



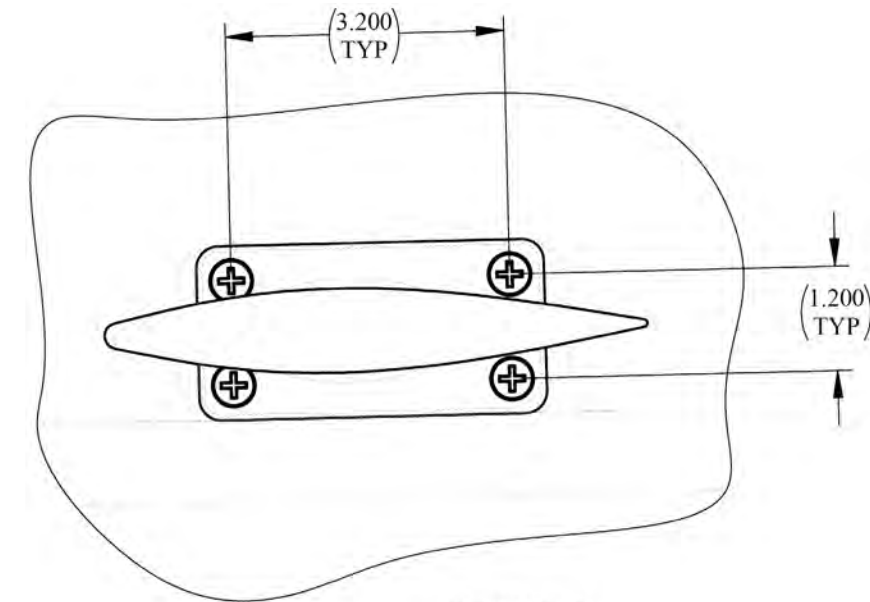
DETAIL F
SCALE 1 : 2

ISSUE DATE: 02/11/15		 Incorporated TITLE: ICA Maintenance Manual for 6650 Floats on a Quest KODIAK 100	PAGE: A36 of A100
REVISION DATE: 6/27/2017			FILE NO.: A-10038 Appendix A
			REVISION: 1

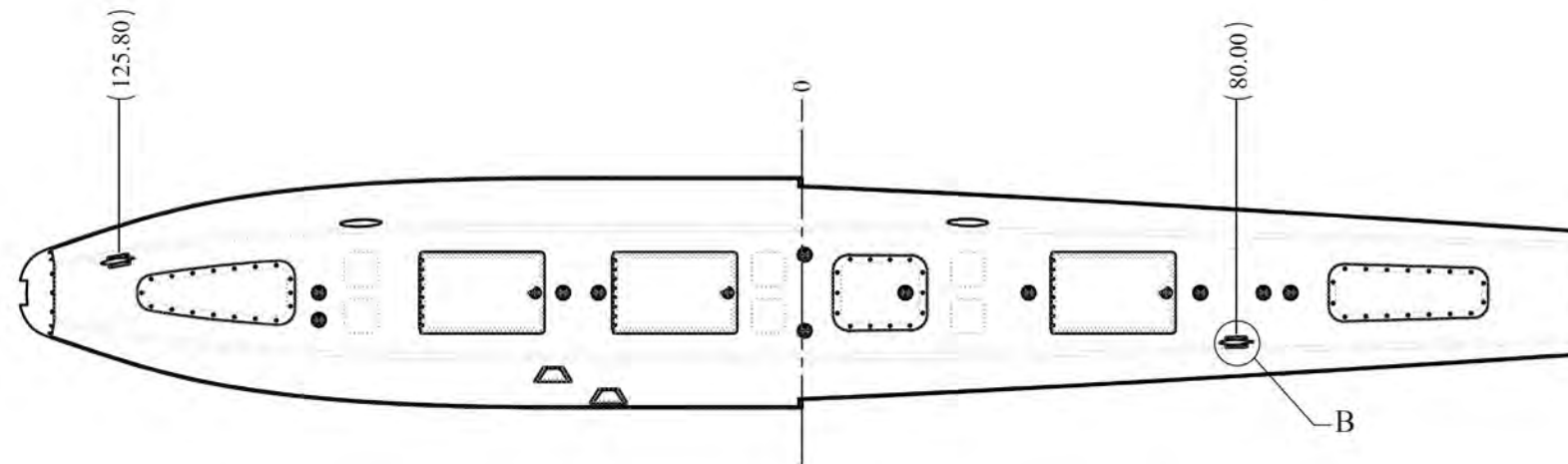
26. 65-17400 DECK CLEAT INSTALLATION

6650 Amphibian or 6750 Seaplane

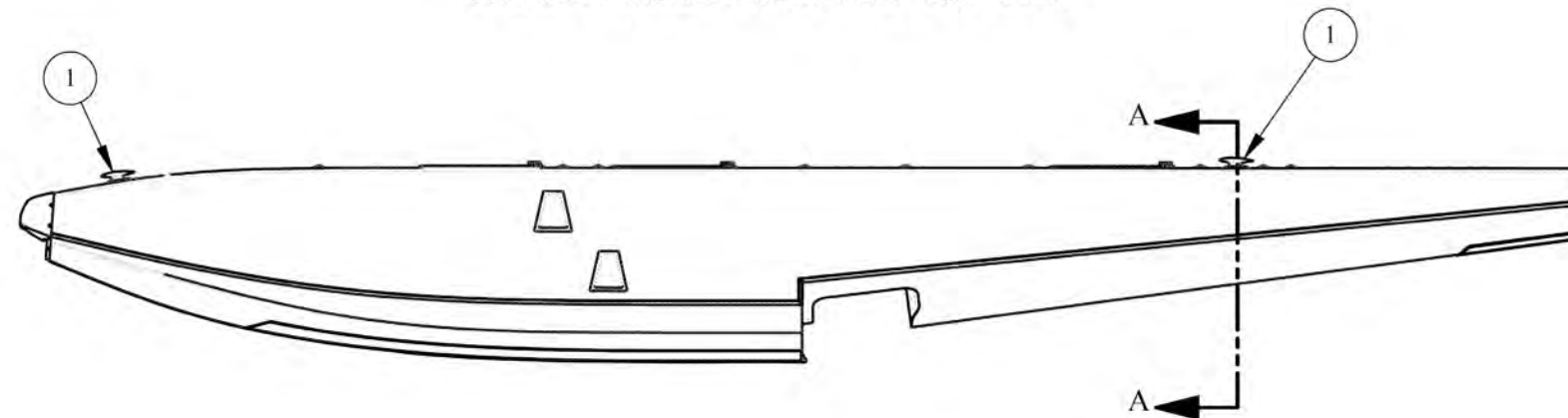
PARTS LIST FOR 65-17400 DECK CLEAT INSTALLATION				
ITEM NO.	QTY	TYPE	PART NUMBER	DESCRIPTION
1	2	PART	35-32250	DECK CLEAT, (VENDOR REF # AE033401)
2	4	PART	35-32251	FENDER WASHER, TRIMMED
3	4	PART	35-32251	FENDER WASHER
4	8	HRDWR	MS21083C4	NUT, SELF-LOCKING, LOW-HEIGHT, STAINLESS
5	8	HRDWR	MS24694C108	MACHINE SCREW, FLAT COUNTERSUNK HEAD, 100°
6	8	HRDWR	NAS1149C0463R	WASHER, FLAT, STAINLESS



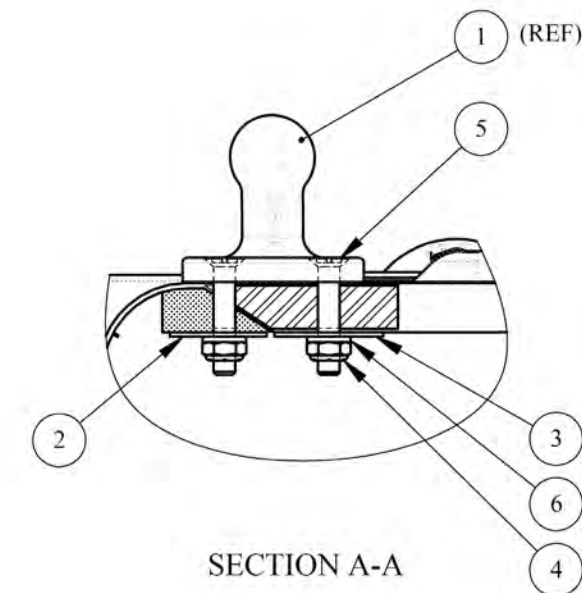
DETAIL B




TOP VIEW
DECK CLEAT INSTALLATION FOR LHS FLOAT SHOWN

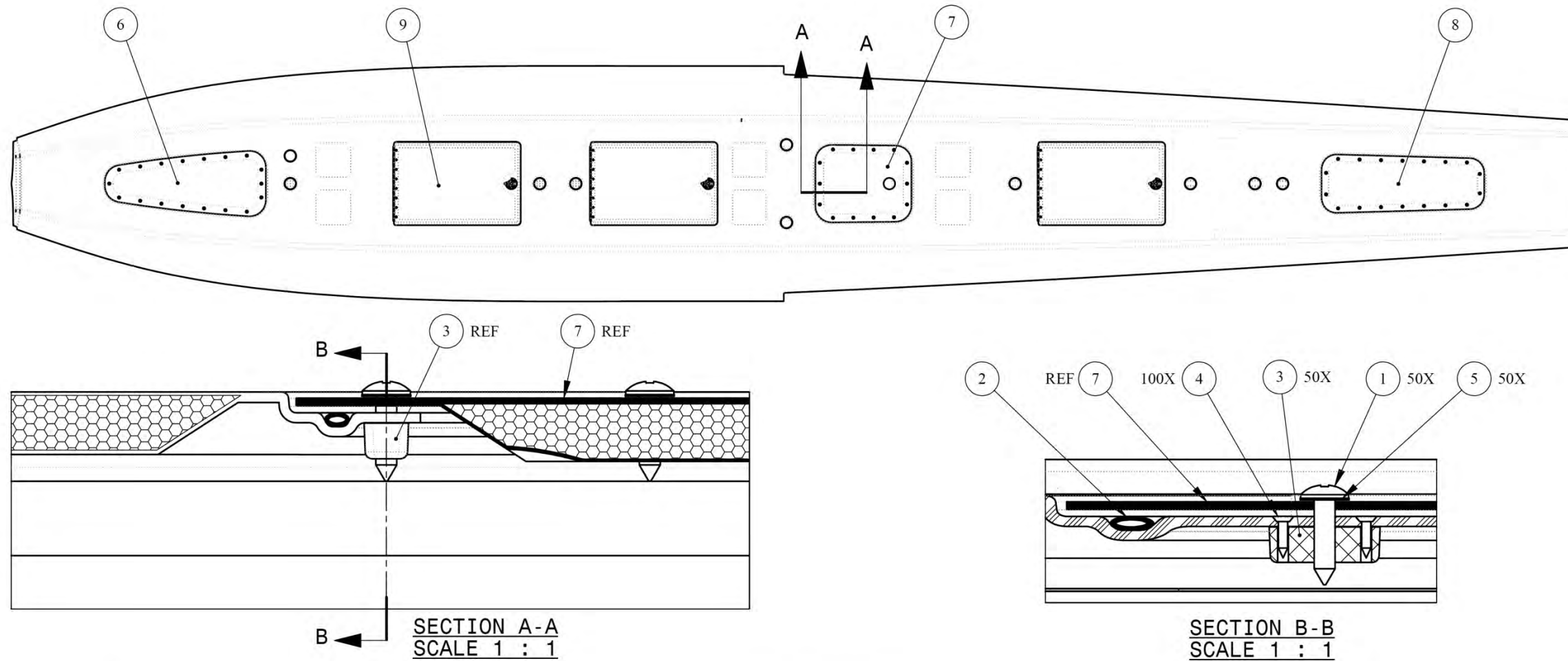


SECTION A-A




ISSUE DATE: 02/11/15		 Incorporated TITLE: ICA Maintenance Manual for 6650 Floats on a Quest KODIAK 100	PAGE: A37 of A100
REVISION DATE: 6/27/2017			FILE NO.: A-10038 Appendix A
			REVISION: 1

27. 65-17500 ACCESS PANEL & LOCKER DOOR INST. 6650 AMPHIBIAN

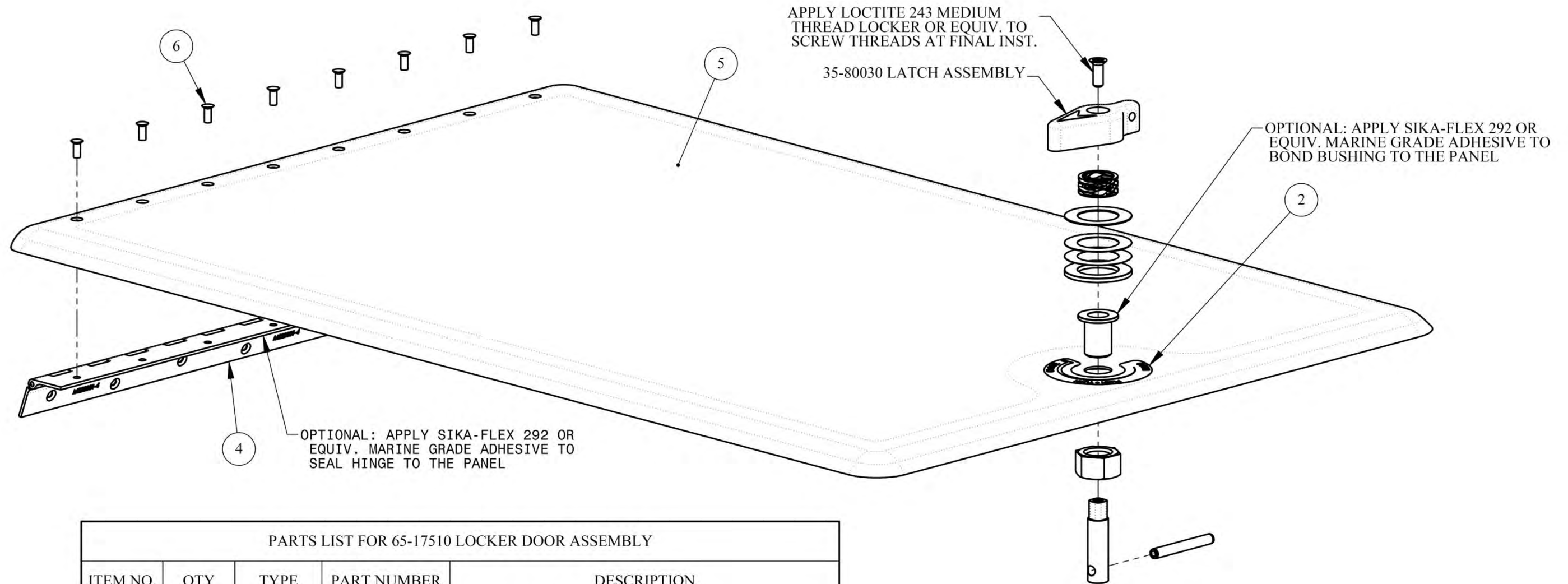


PARTS LIST FOR 65-17500 ACCESS PANEL AND LOCKER DOOR INSTALLATION					
ITEM NO.	QTY	TYPE	PART NUMBER	DESCRIPTION	COMMENTS
1	50	HRDWR	10R X 3/4 TAS	SHT MTL SCREW, STAINLESS, TRUSS HEAD	
2	1	PART	35-80011	HOLLOW CORD SEAL, EPDM (APPROX. 201" TOTAL)	
3	50	PART	35-80047	NUTPLATE, FOR USE WITH #10 SHEET METAL SCREWS	
4	100	PART	35-80048-04-0375	SHEET METAL SCREW, UNDERCUT FLAT HEAD, TYPE A OR AB, STAINLESS	
5	50	PART	35-80050	WASHER, ACCESS PANEL	
6	1	PART	65-17502	ACCESS PANEL, FWD, CARBON FIBER	
7	1	PART	65-17503	ACCESS PANEL, AFT OF STEP, CARBON FIBER	
8	1	PART	65-17504	ACCESS PANEL, AFT, CARBON FIBER	
9	1	ASSY	65-17520	LOCKER DOOR INSTALLATION	
10	1	BULK	LOCTITE 414 SUPER BONDER	CYANOACRYLATE ADHESIVE	*USED TO BOND 35-80011 SEAL


ISSUE DATE: 02/11/15		 Incorporated TITLE: ICA Maintenance Manual for 6650 Floats on a Quest KODIAK 100	PAGE: A38 of A100
REVISION DATE: 6/27/2017			FILE NO.: A-10038 Appendix A
			REVISION: 1

28. 65-17510 LOCKER DOOR ASSY

6650 Amphibian or 6750 Seaplane



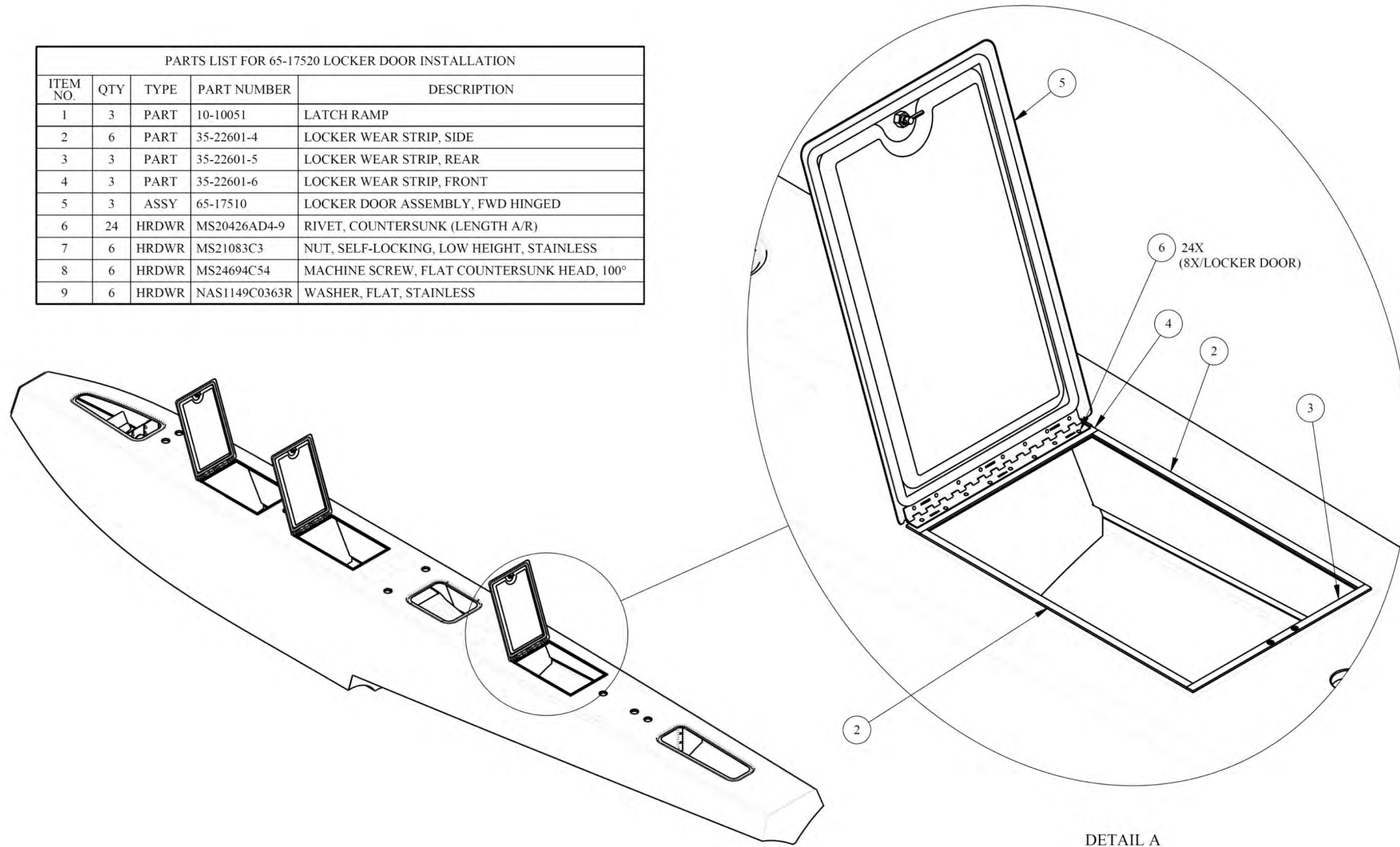
PARTS LIST FOR 65-17510 LOCKER DOOR ASSEMBLY				
ITEM NO.	QTY	TYPE	PART NUMBER	DESCRIPTION
1	1	ASSY	35-80030	LATCH ASSEMBLY
2	1	PART	35-80031	PANEL LATCH POSITION PLACARD
3	1	HDWR	35-80041	EPDM FOAM RUBBER SEAL
4	1	HRDWR	65-16514	LOCKER HINGE ASSEMBLY, 13 3/8"
5	1	PART	65-17511	LOCKER DOOR PANEL, FWD HINGING TYPE
6	8	HRDWR	MS20426AD4-5	RIVET, COUNTERSUNK (LENGTH A/R)


ISSUE DATE: 02/11/15		 Incorporated TITLE: ICA Maintenance Manual for 6650 Floats on a Quest KODIAK 100	PAGE: A39 of A100
REVISION DATE: 6/27/2017			FILE NO.: A-10038 Appendix A
			REVISION: 1

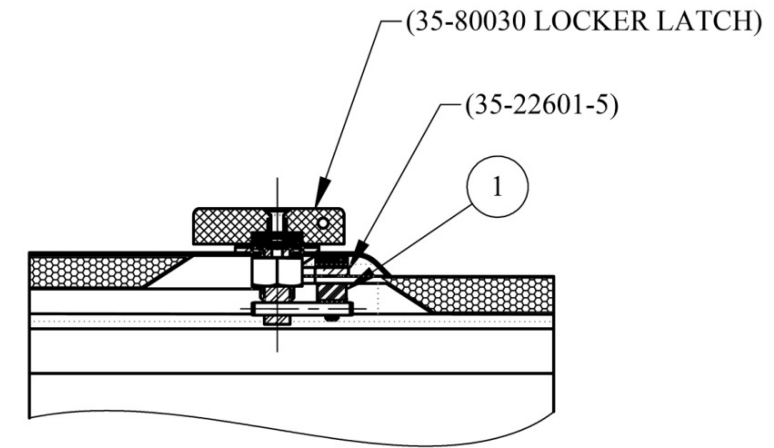
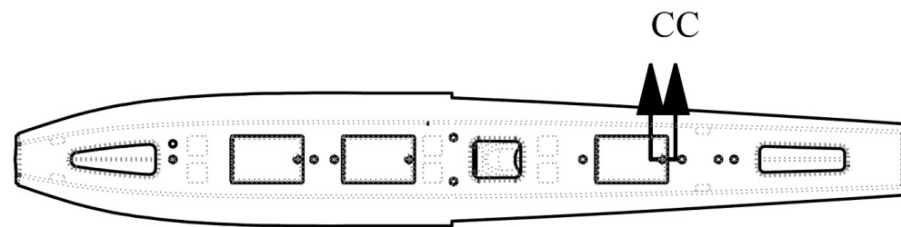
29. 65-17520 LOCKER DOOR INSTALLATION

6650 Amphibian or 6750 Seaplane

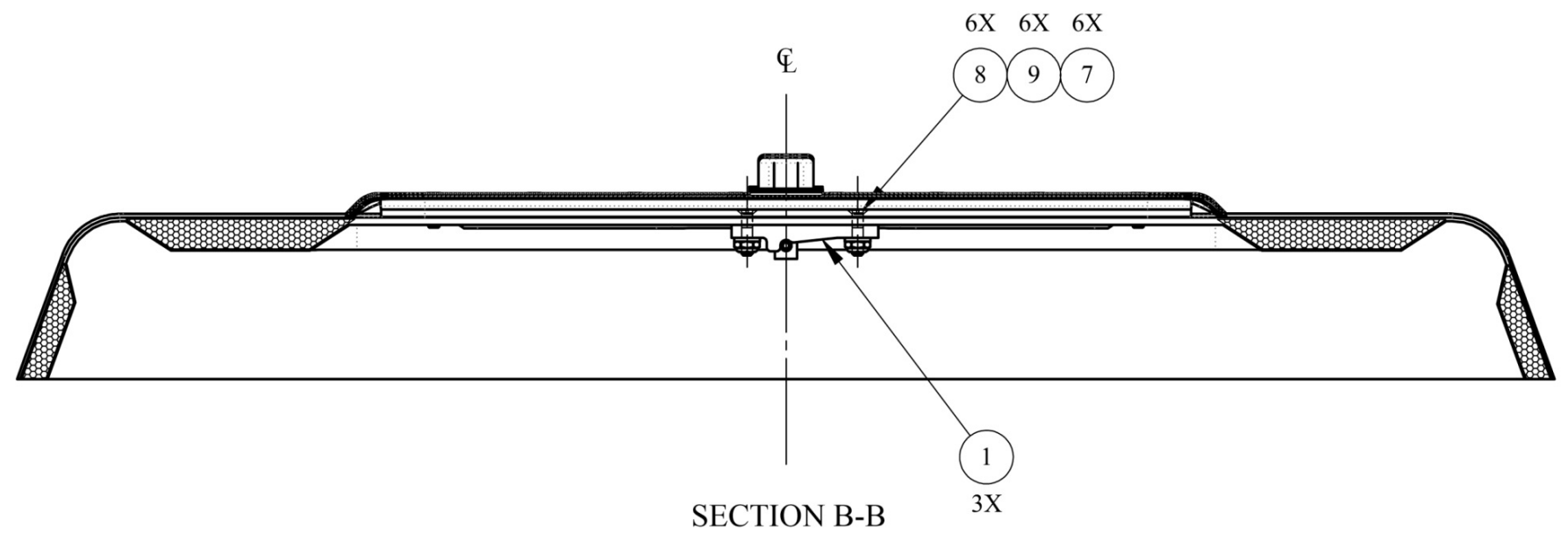
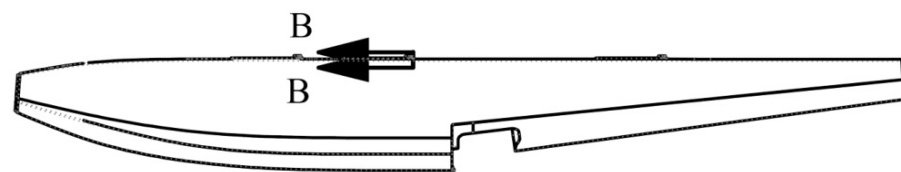
PARTS LIST FOR 65-17520 LOCKER DOOR INSTALLATION				
ITEM NO.	QTY	TYPE	PART NUMBER	DESCRIPTION
1	3	PART	10-10051	LATCH RAMP
2	6	PART	35-22601-4	LOCKER WEAR STRIP, SIDE
3	3	PART	35-22601-5	LOCKER WEAR STRIP, REAR
4	3	PART	35-22601-6	LOCKER WEAR STRIP, FRONT
5	3	ASSY	65-17510	LOCKER DOOR ASSEMBLY, FWD HINGED
6	24	HRDWR	MS20426AD4-9	RIVET, COUNTERSUNK (LENGTH A/R)
7	6	HRDWR	MS21083C3	NUT, SELF-LOCKING, LOW HEIGHT, STAINLESS
8	6	HRDWR	MS24694C54	MACHINE SCREW, FLAT COUNTERSUNK HEAD, 100°
9	6	HRDWR	NAS1149C0363R	WASHER, FLAT, STAINLESS




		 Incorporated TITLE: ICA Maintenance Manual for 6650 Floats on a Quest KODIAK 100		
ISSUE DATE:	02/11/15		PAGE	A40 of A100
REVISION DATE:	6/27/2017		FILE NO.	A-10038 Appendix A
			REVISION	1



SECTION C-C

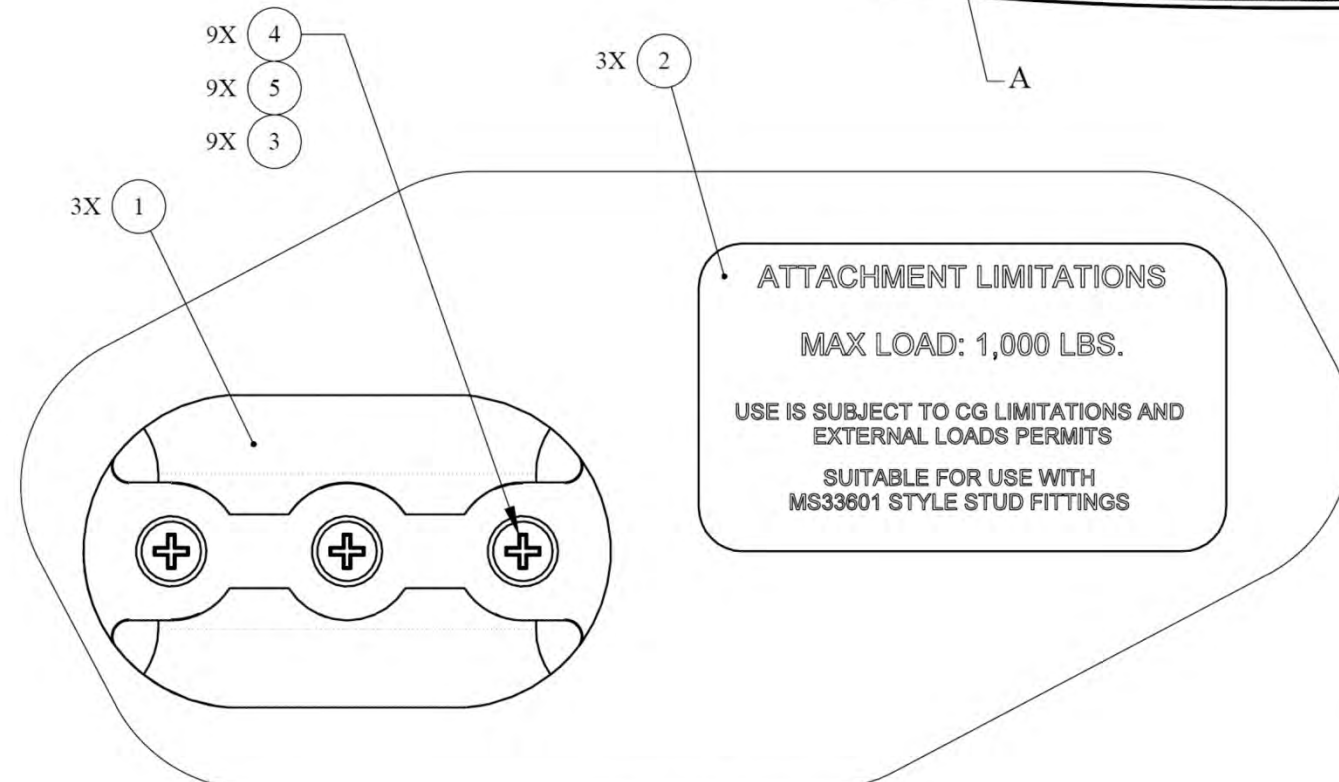
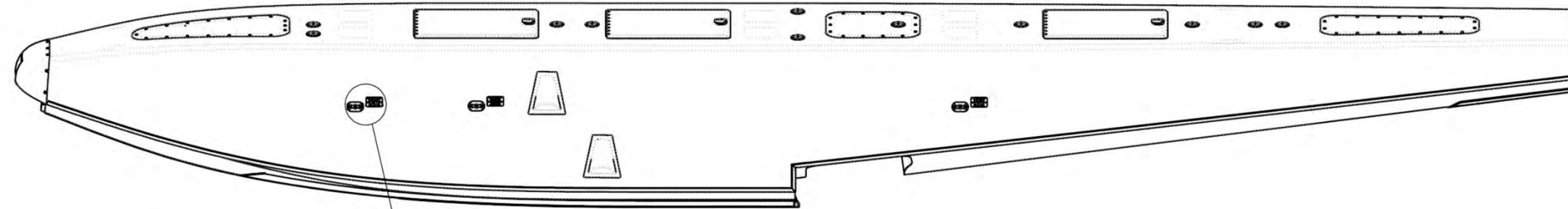


SECTION B-B

ISSUE DATE: 02/11/15		 Incorporated TITLE: ICA Maintenance Manual for 6650 Floats on a Quest KODIAK 100	PAGE: A41 of A100
REVISION DATE: 6/27/2017			FILE NO.: A-10038 Appendix A
			REVISION: 1

30. 65-17700 ANCHOR PLATE INSTALLATION


6650 Amphibian or 6750 Seaplane



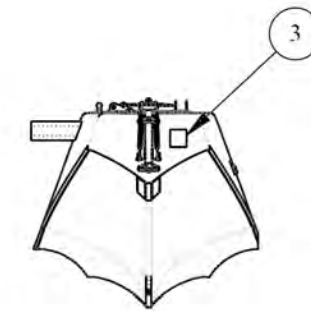
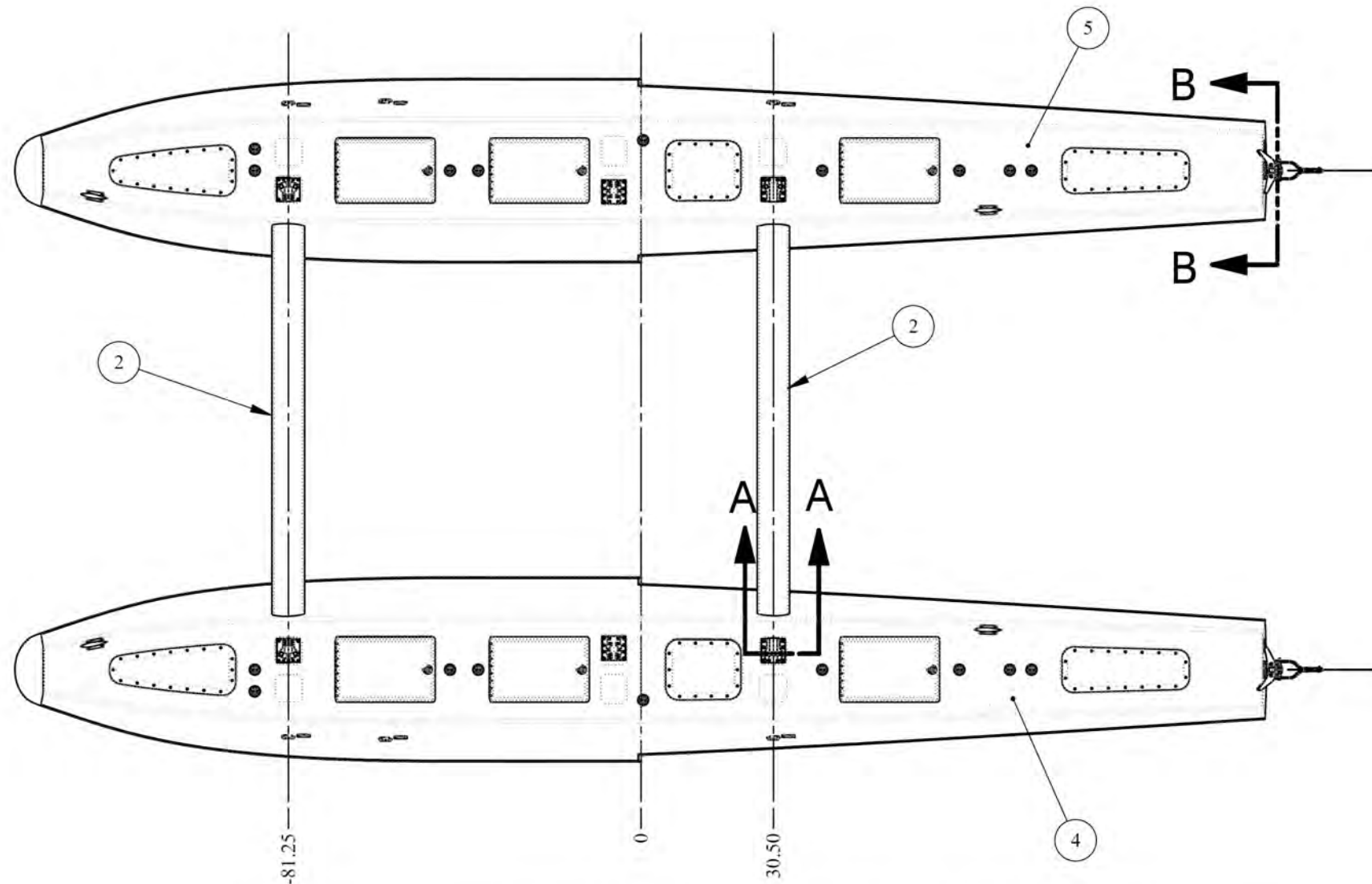
ATTACHMENT LIMITATIONS
MAX LOAD: 1,000 LBS.
 USE IS SUBJECT TO CG LIMITATIONS AND
 EXTERNAL LOADS PERMITS
 SUITABLE FOR USE WITH
 MS33801 STYLE STUD FITTINGS

DETAIL A
 SCALE 1 : 1

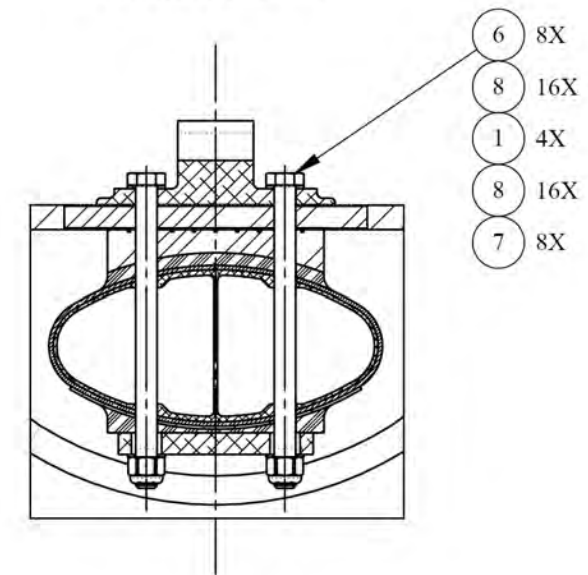
PARTS LIST FOR 65-17700 ANCHOR PLATE INSTALLATION FOR ONE FLOAT ASSEMBLY				
ITEM NO.	QTY	TYPE	PART NUMBER	DESCRIPTION
1	3	PART	56-10163	ANCHOR PLATE
2	3	PART	56-10165	EXTERNAL LOADS LIMITATIONS PLACARD
3	9	HRDWR	MS21044C3	NUT, SELF-LOCKING, STAINLESS, REGULAR HEIGHT
4	9	HRDWR	MS24694C58	MACHINE SCREW, FLAT COUNTERSUNK HEAD, 100°
5	9	HRDWR	NAS1149C0363R	WASHER, FLAT, STAINLESS

ISSUE DATE: 02/11/15		 Incorporated TITLE: ICA Maintenance Manual for 6650 Floats on a Quest KODIAK 100	PAGE: A42 of A100
REVISION DATE: 6/27/2017			FILE NO.: A-10038 Appendix A
			REVISION: 1

31. 65-20001 SPREADER INSTALLATION, 6750 SEAPLANE




SECTION B-B
(VIEW ROTATED 90°)

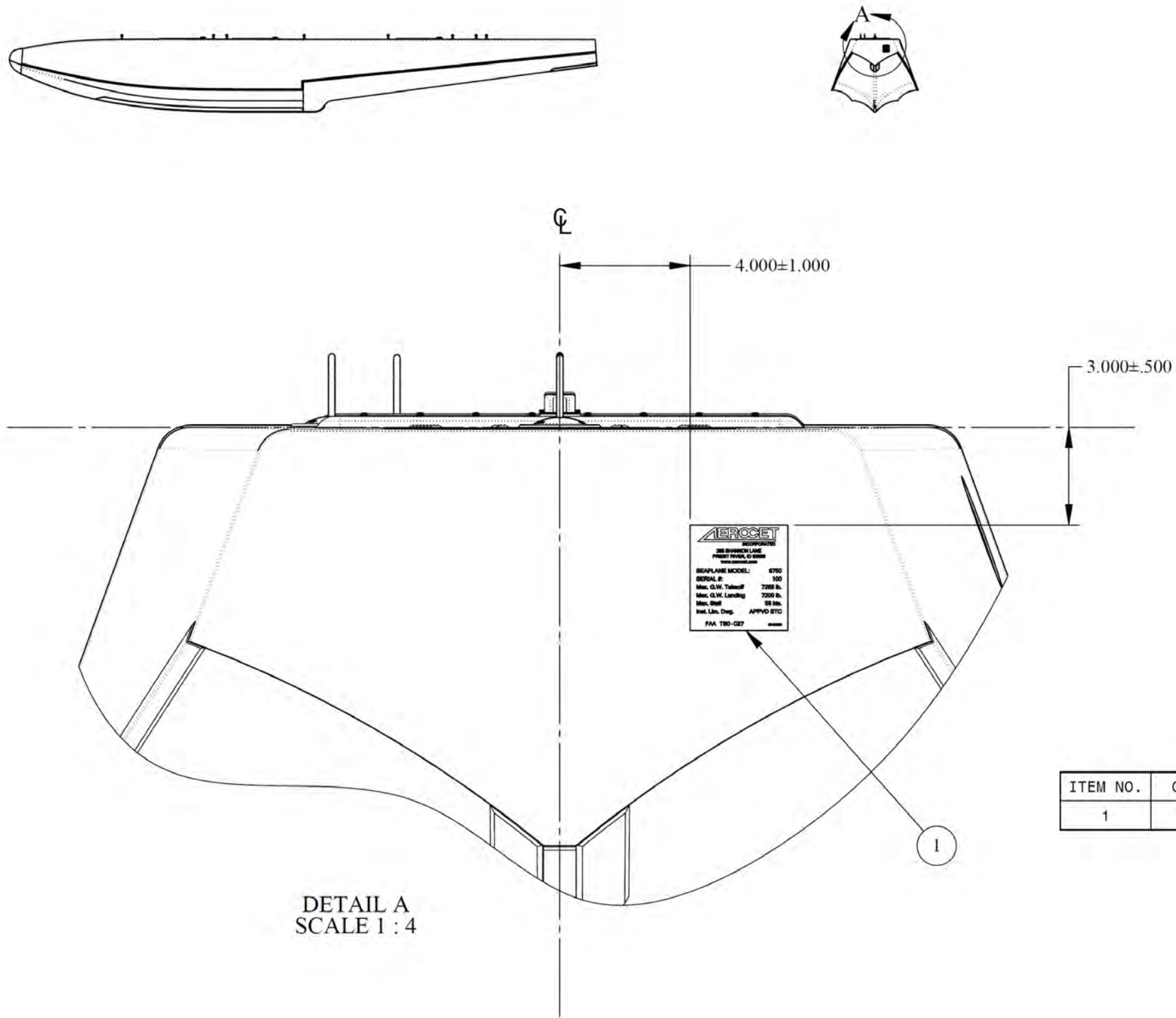


SECTION A-A
SCALE 1 : 4

PARTS LIST FOR 65-10001 FLOAT ASSEMBLY, SPREADER INSTALLATION				
ITEM NO.	QTY.	TYPE	PART NUMBER	DESCRIPTION
1	4	PART	56-10202	CLAMP BLOCK
2	2	PART	65-10015	SPREADER BAR, FWD, AEROCET MODEL 6650 FLOATS
3	2	ASSY	65-20020	DATA PLACARD INSTALLATION, AEROCET MODEL 6750 FLOAT TSO
4	1	ASSY	65-21000-1L	FLOAT HULL ASSEMBLY, LHS
5	1	ASSY	65-21000-1R	FLOAT HULL ASSEMBLY, RHS
6	8	HRDWR	AN8-66A	BOLT - MACHINE, AIRCRAFT
7	8	HRDWR	MS21044N8	NUT, SELF-LOCKING, REGULAR HEIGHT
8	16	HRDWR	NAS1149D0863K	WASHER, FLAT

ISSUE DATE: 02/11/15		 Incorporated TITLE: ICA Maintenance Manual for 6650 Floats on a Quest KODIAK 100	PAGE: A43 of A100
REVISION DATE: 6/27/2017			FILE NO.: A-10038 Appendix A
			REVISION: 1

32. 65-20020 DATA PLACARD INSTALLATION, 6750 SEAPLANE



DETAIL A
SCALE 1 : 4

AFFIX DATA PLACARD USING PERMANENT ADHESIVE SUCH AS SCOTCH 9471 VHB DOUBLE SIDED TAPE OR EQUIVALENT

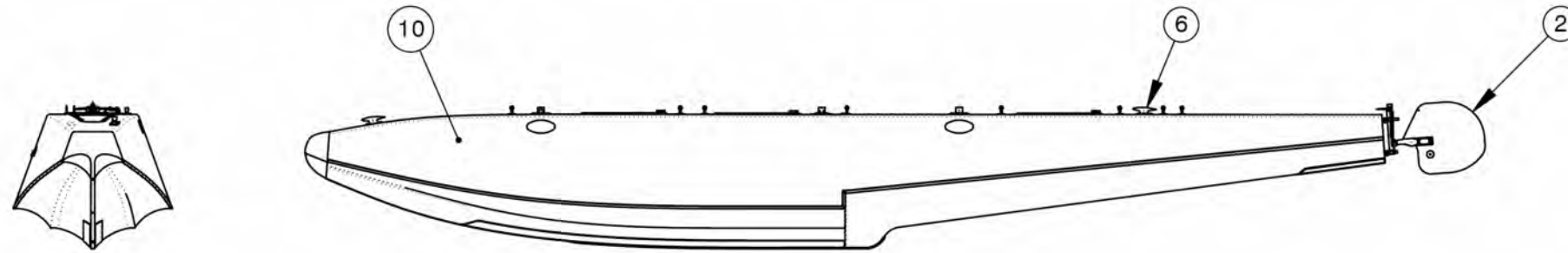
(PLACARD MAY ALTERNATIVELY BE SUPPLIED WITH ADHESIVE PRE-APPLIED)

POSITION IS IDENTICAL FOR BOTH RHS AND LHS FLOAT INSTALLATIONS

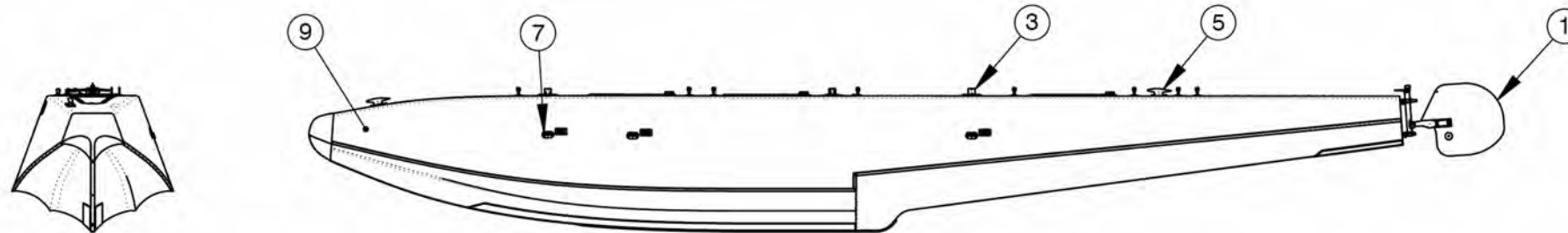
ITEM NO.	QTY	TYPE	PART NUMBER	DESCRIPTION
1	1	PART	65-20025	DATA PLACARD, AEROCET MODEL 6750 FLOATS

		AEROCET Incorporated			
ISSUE DATE:	02/11/15	TITLE:	ICA Maintenance Manual for 6650 Floats on a Quest KODIAK 100	PAGE	A44 of A100
				FILE NO.	A-10038 Appendix A
REVISION DATE:	6/27/2017			REVISION	1

33. 65-21000 FLOAT HULL ASSEMBLY, 6750 SEAPLANE



SHOWING INBOARD SIDE, 65-21000-R, FLOAT ASSEMBLY, RHS



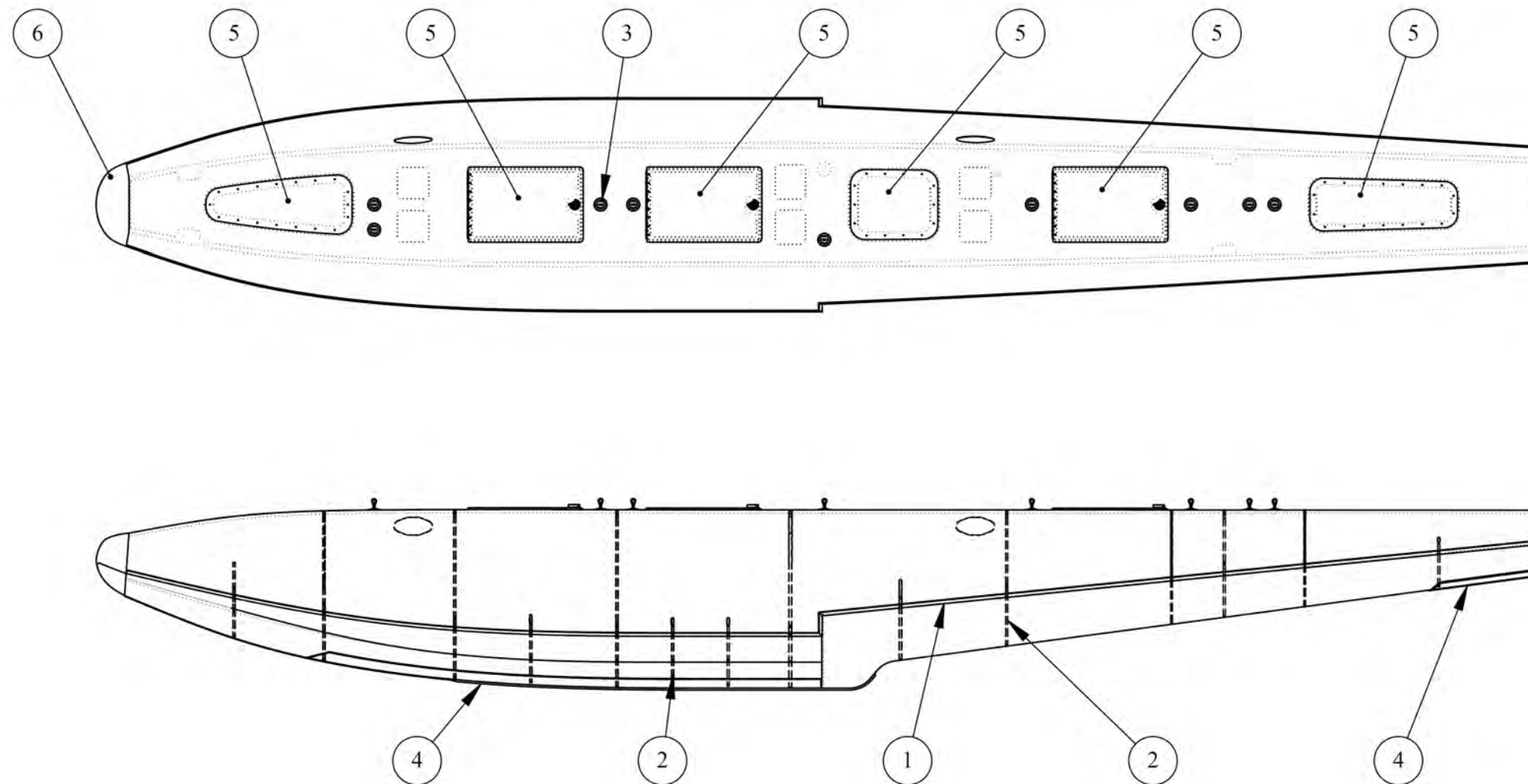
SHOWING OUTBOARD SIDE, 65-21000-L, FLOAT ASSEMBLY, LHS


PARTS LIST FOR 65-21000 FLOAT HULL ASSEMBLY					
ITEM NO.	65-21000-2R QTY.	65-21001-2L QTY.	PART NUMBER	DESCRIPTION	COMMENTS
1	-	1	56-10150-2L	TILLER AND RUDDER INSTALLATION	
2	1	-	56-10150-2R	TILLER AND RUDDER INSTALLATION	
3	1	1	65-16300	DECK PLATE INSTALLATION	
4	1	1	65-17104	FLOAT STRIPES, SURFACE AREAS, AEROCET MODEL 6650 & 6750 FLOATS	
5	-	1	65-17400-L	DECK CLEAT INSTALLATION, LHS	
6	1	-	65-17400-R	DECK CLEAT INSTALLATION, RHS	
7	1	1	65-17700	ANCHOR PLATE INSTALLATION	OPTIONAL
8	1	1	65-21090	LIGHTNING STRIKE PROTECTION (LSP), INSTALLATION	
9	-	1	65-21100-2L	COMPOSITE FLOAT HULL ASSEMBLY, WITH OUTBOARD REINFORCEMENTS, LHS	
10	1	-	65-21100-2R	COMPOSITE FLOAT HULL ASSEMBLY, WITH OUTBOARD REINFORCEMENTS, RHS	

		AEROCET Incorporated			
ISSUE DATE:	02/11/15	TITLE: ICA Maintenance Manual for 6650 Floats on a Quest KODIAK 100		PAGE	A45 of A100
REVISION DATE:	6/27/2017			FILE NO.	A-10038 Appendix A
				REVISION	1

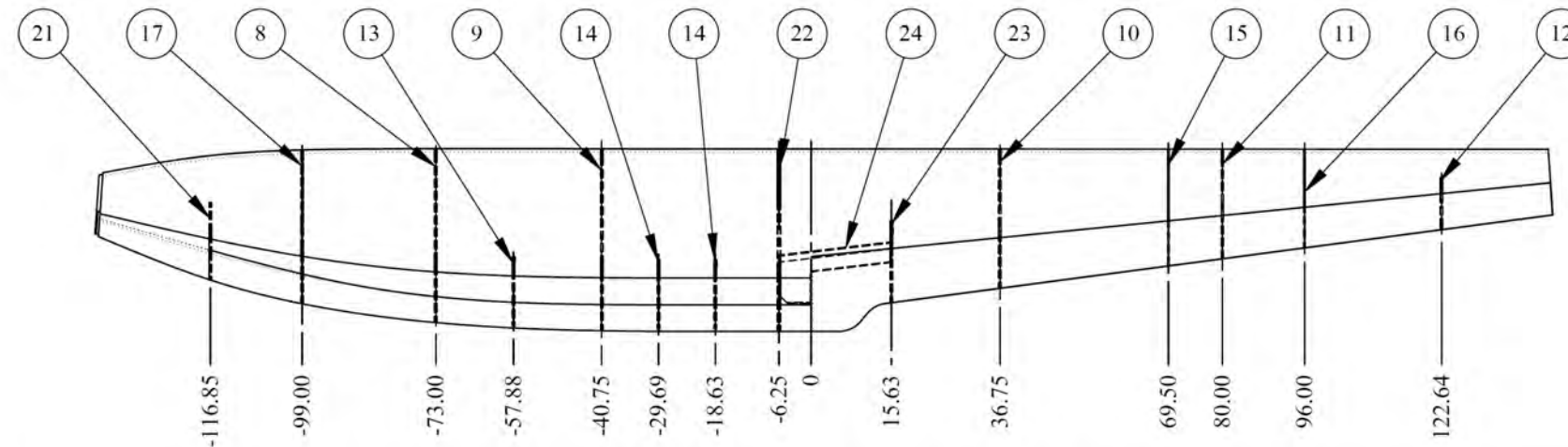
34. 65-21100 COMPOSITE HULL ASSEMBLY, 6750 SEAPLANE

PARTS LIST FOR 65-21100 MODEL 6750 FLOAT HULLS					
ITEM NO.	65-21100-2L QTY.	65-21100-2R QTY.	PART NUMBER	DESCRIPTION	
1	1	1	65-17160	CHINE RUB STRIP INSTALLATION	
2	1	1	65-21110	BULKHEAD INSTALLATION, CARBON FIBER CONSTRUCTION, AEROCET MODEL 6750 FLOATS	
3	1	1	65-21170	PUMP OUT WELL INSTALLATION, AEROCET MODEL 6750 FLOATS	
4	1	1	65-21190	KEEL AND WEAR STRIP INSTALLATION, AEROCET MODEL 6750 FLOATS	
5	1	1	65-21500	ACCESS PANEL AND LOCKER DOOR INSTALLATION, AEROCET MODEL 6750 FLOATS	
6	1	1	65-21900	BUMPER INSTALLATION, AEROCET MODEL 6750 FLOATS	




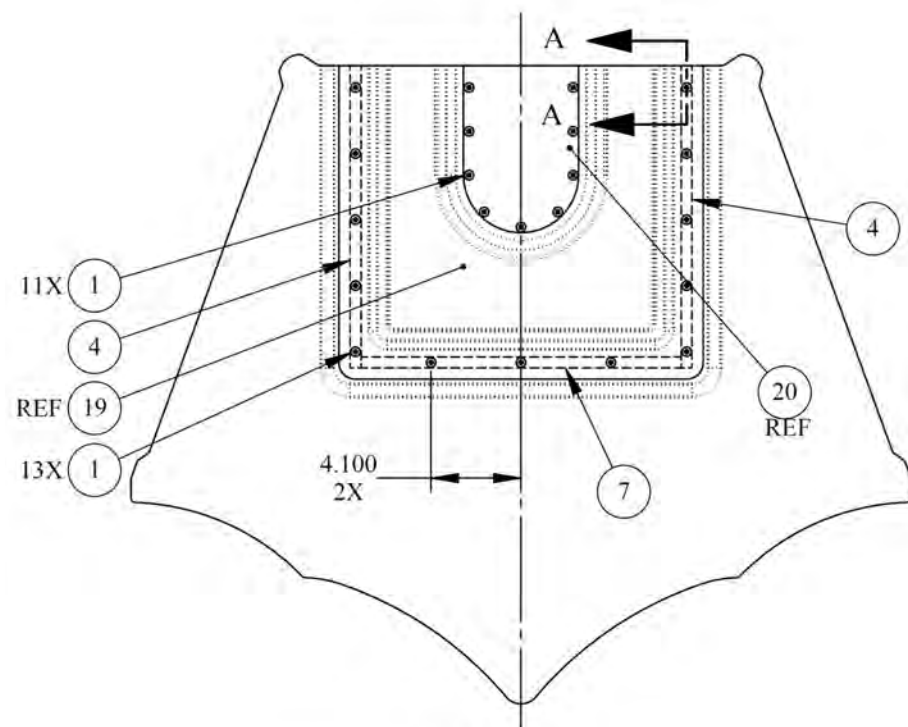
ISSUE DATE: 02/11/15		 Incorporated TITLE: ICA Maintenance Manual for 6650 Floats on a Quest KODIAK 100	PAGE: A46 of A100
REVISION DATE: 6/27/2017			FILE NO.: A-10038 Appendix A
			REVISION: 1

35. 65-21110 BULKHEAD INSTALLATION, 6750 SEAPLANE

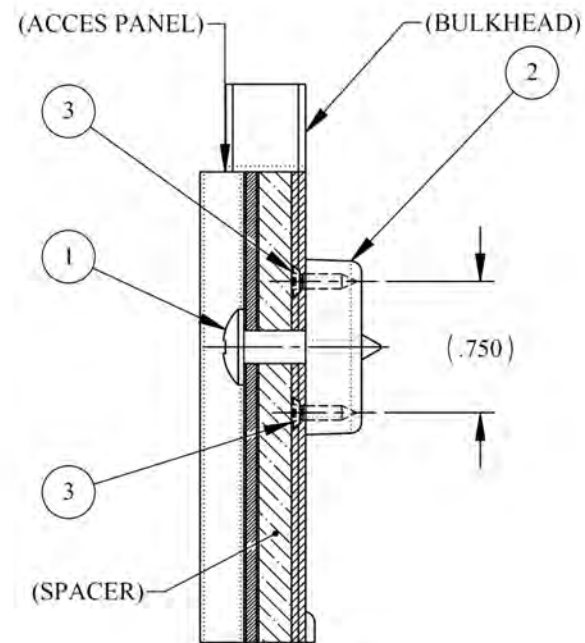


PARTS LIST FOR 65-21110 BULKHEAD INSTALLATION, MODEL 6750 FLOATS QUANTITIES SHOWN FOR A SINGLE FLOAT ASSEMBLY					
ITEM NO.	QTY	TYPE	PART NUMBER	DESCRIPTION	ALTERNATES/COMMENTS
1	44	HRDWR	10R X 3/4 TAS	SHT MTL SCREW, STAINLESS, TRUSS HEAD	
2	44	PART	35-80047	NUTPLATE, FOR USE WITH #10 SHEET METAL SCREWS	
3	88	PART	35-80048-04-0375	SHEET METAL SCREW, UNDERCUT FLAT HEAD, TYPE A OR AB, STAINLESS	
4	2	PART	65-16133-1	SPACER, ACCESS DOOR	
5	4	PART	65-16133-2	SPACER, ACCESS DOOR	
6	2	PART	65-16133-3	SPACER, ACCESS DOOR	
7	1	PART	65-16133-4	SPACER, ACCESS DOOR	
8	1	PART	65-17115	BULKHEAD, STA. -73.00, CARBON FIBER	
9	1	PART	65-17116	BULKHEAD, STA. -40.75, CARBON FIBER	
10	1	PART	65-17118	BULKHEAD, STA. 36.75, CARBON FIBER	
11	1	PART	65-17119	BULKHEAD, STA. 80.00, CARBON FIBER	
12	1	PART	65-17120	PARTIAL BULKHEAD, STA. 122.64, CARBON FIBER	
13	1	PART	65-17123	PARTIAL BULKHEAD, STA. -57.88, CARBON FIBER	
14	2	PART	65-17124	PARTIAL BULKHEAD, STA's. -29.69 & -18.63, CARBON FIBER	
15	1	PART	65-17125	FLOATATION BULKHEAD, STA. 69.50, CARBON FIBER	
16	1	PART	65-17126	FLOATATION BULKHEAD, STA. 96.00, CARBON FIBER	
17	1	PART	65-17127	FLOATATION BULKHEAD, STA. -99.00, CARBON FIBER	
18	2	PART	65-17131	ACCESS DOOR, FLOATATION BULKHEAD, STA. 69.50 & 96.00, CARBON FIBER	
19	1	PART	65-17132	ACCESS DOOR, FLOATATION BULKHEAD, STA. -99.00, CARBON FIBER	
20	1	PART	65-17135	GROMMET PLATE, STA. -99	
21	1	PART	65-21112	PARTIAL BULKHEAD, STA. -116.85, AEROCET MODEL 6750 FLOATS	
22	1	PART	65-21117	BULKHEAD, STA. -6.25, AEROCET MODEL 6750 FLOATS	
23	1	PART	65-21118	PARTIAL BULKHEAD, STA. 15.63, AEROCET MODEL 6750 FLOATS	65-17122
24	2	PART	65-21119	STRINGER, STEP AREA, AEROCET MODEL 6750 FLOATS	

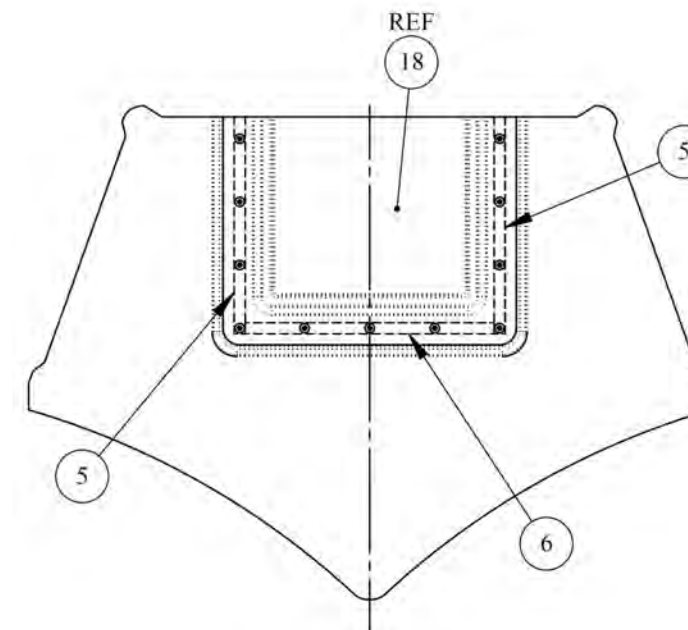
ISSUE DATE: 02/11/15		 Incorporated TITLE: ICA Maintenance Manual for 6650 Floats on a Quest KODIAK 100	PAGE: A47 of A100
REVISION DATE: 6/27/2017			FILE NO.: A-10038 Appendix A
			REVISION: 1



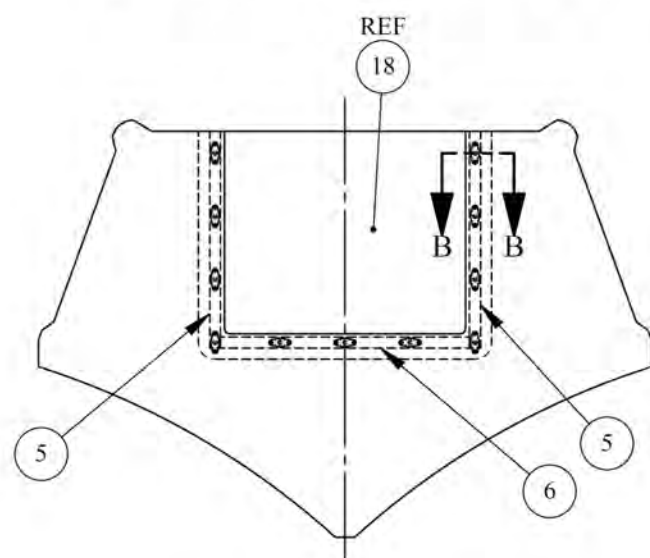
65-17127
FLOATATION BULKHEAD,
STA. -99.00, CARBON FIBER



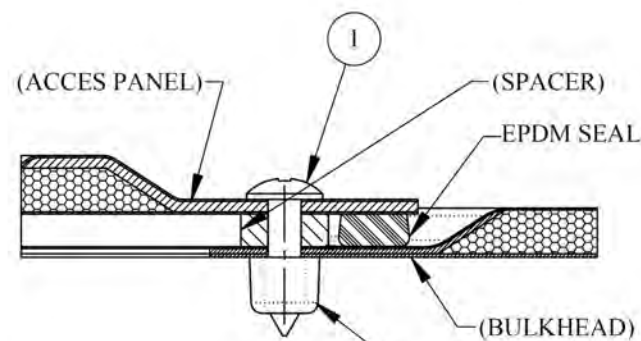
SECTION A-A
SCALE 1 : 1




65-17125
FLOATATION BULKHEAD,
STA. 69.50, CARBON FIBER



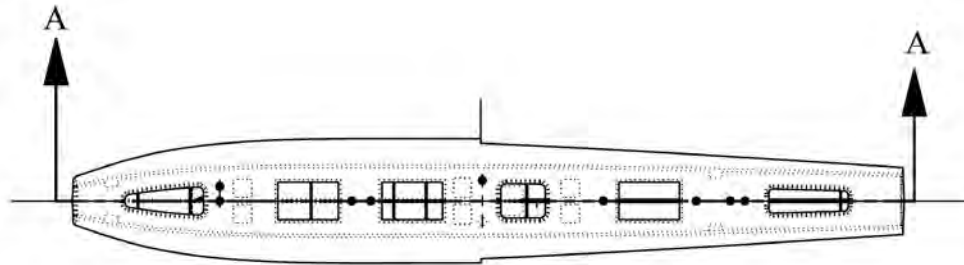
65-17126
FLOATATION BULKHEAD,
STA. 96.00, CARBON FIBER



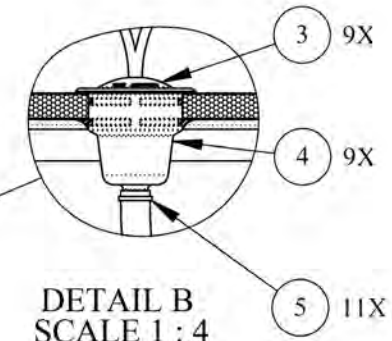
SECTION B-B
SCALE 1 : 1

ISSUE DATE: 02/11/15		 Incorporated TITLE: ICA Maintenance Manual for 6650 Floats on a Quest KODIAK 100	PAGE: A48 of A100
REVISION DATE: 6/27/2017			FILE NO.: A-10038 Appendix A
			REVISION: 1

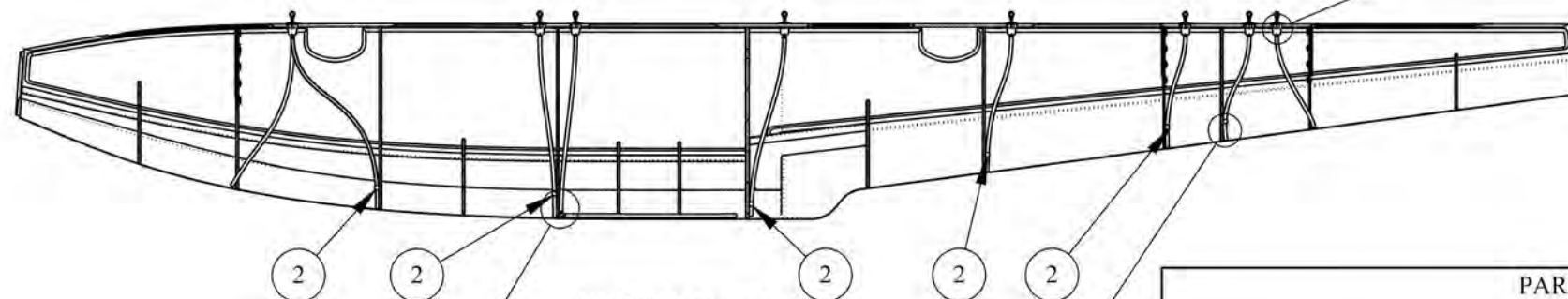
36. 65-21170 PUMP-OUT WELL INST. 6750 SEAPLANE



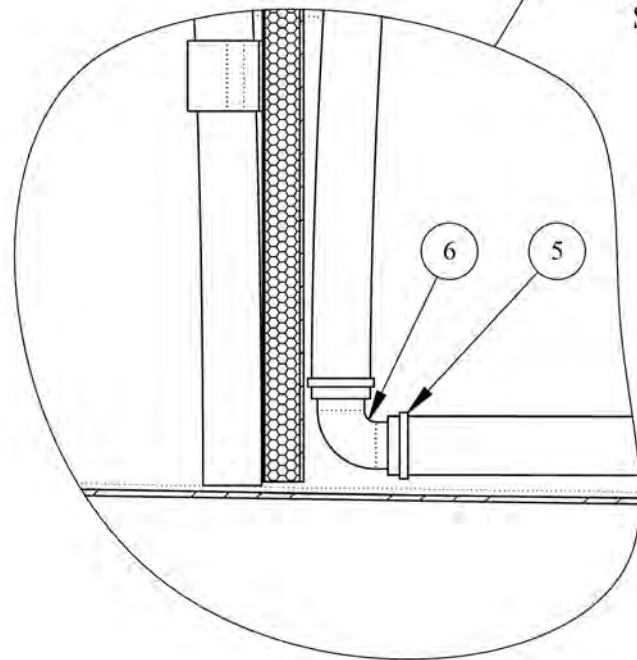
RIGHT FLOAT SHOWN,
LEFT SIDE OPPOSITE



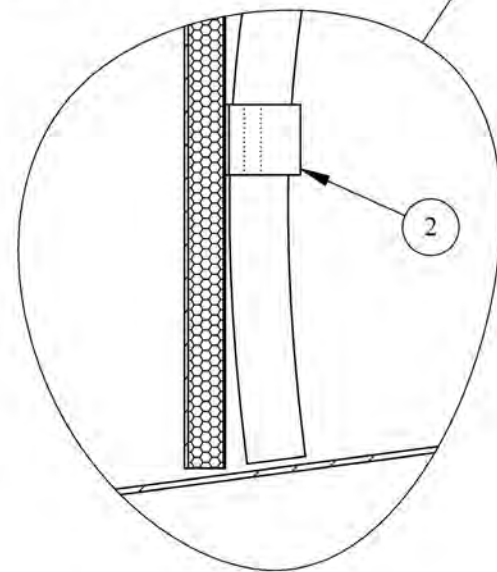
DETAIL B
SCALE 1 : 4



SECTION A-A
SCALE 1 : 32



DETAIL D
SCALE 1 : 2

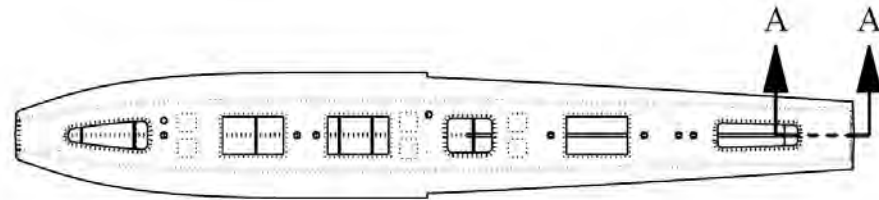


DETAIL C
SCALE 1 : 2

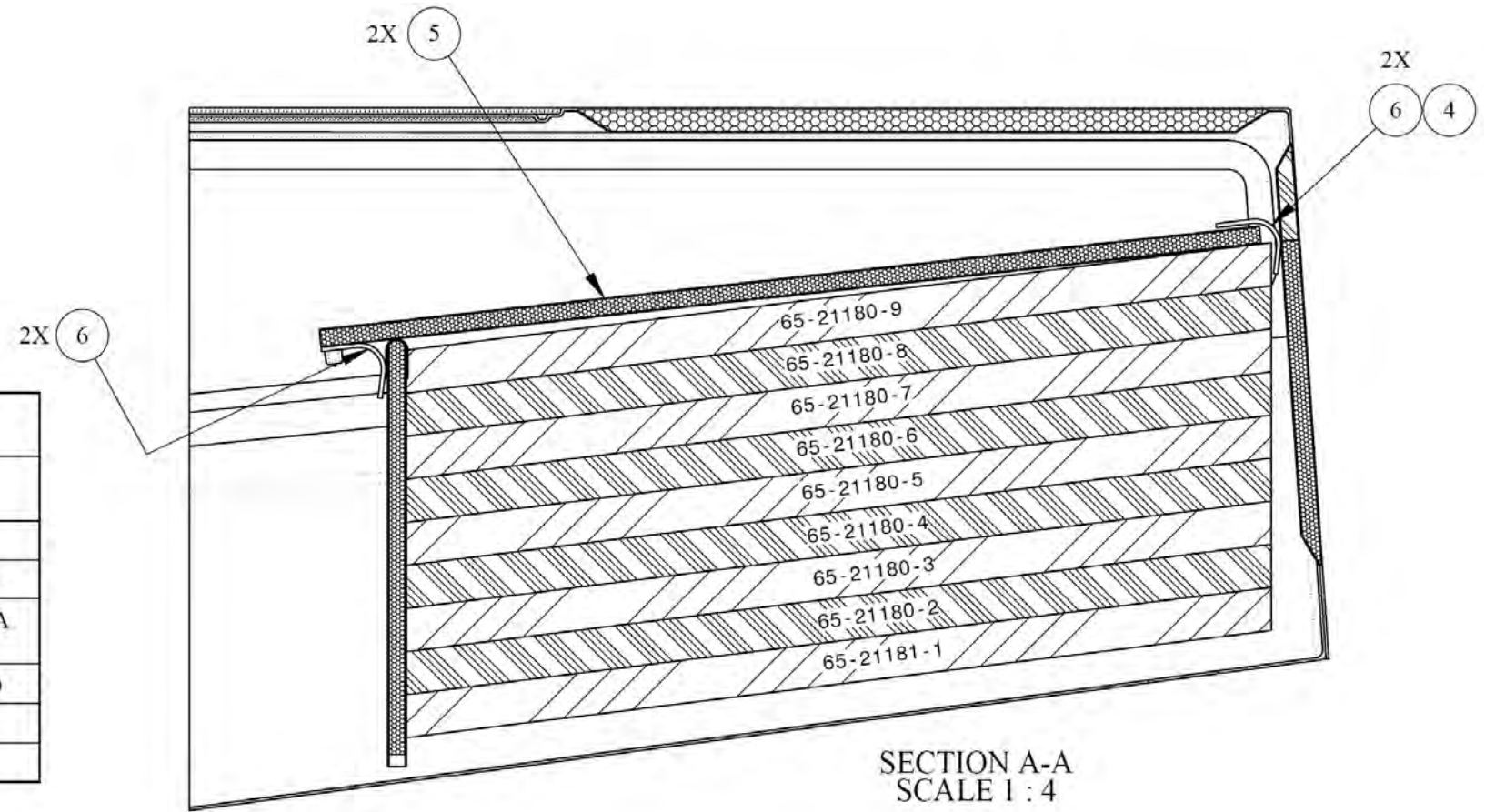
PARTS LIST FOR 65-21170 PUMP-OUT WELL INSTALLATION, QUANTITIES FOR ONE 6750 FLOAT HULL SHOWN					
ITEM NO.	QTY	TYPE	PART NUMBER	DESCRIPTION	ALERNATES/COMMENTS
1	1	BULK	5/8 X 1/16	PUMP-OUT TUBING, LENGTH AS REQUIRED	
2	6	PART	35-41056	TUBING GUIDE, CARBON FIBER	
3	9	PART	35-80027	PUMP OUT PLUG, AEROCET VERSION 2	65-16171; OR LAKE & AIR P/N 2111 OR 2111R PER SHT. 2
4	9	PART	35-80049	PUMP OUT CUP, NYLON	
5	11	HRDWR	T18 R9 C2	CABLE TIE (MS3367-4-9)	
6	1	HRDWR	TE20-88T	HOSE MENDER ELBOW	

ISSUE DATE: 02/11/15		AEROCET Incorporated	PAGE	A49 of A100	
			FILE NO.	A-10038 Appendix A	
REVISION DATE: 6/27/2017			TITLE:	ICA Maintenance Manual for 6650 Floats on a Quest KODIAK 100	REVISION


37. 65-21180 FLOTATION FOAM INSTALLATION



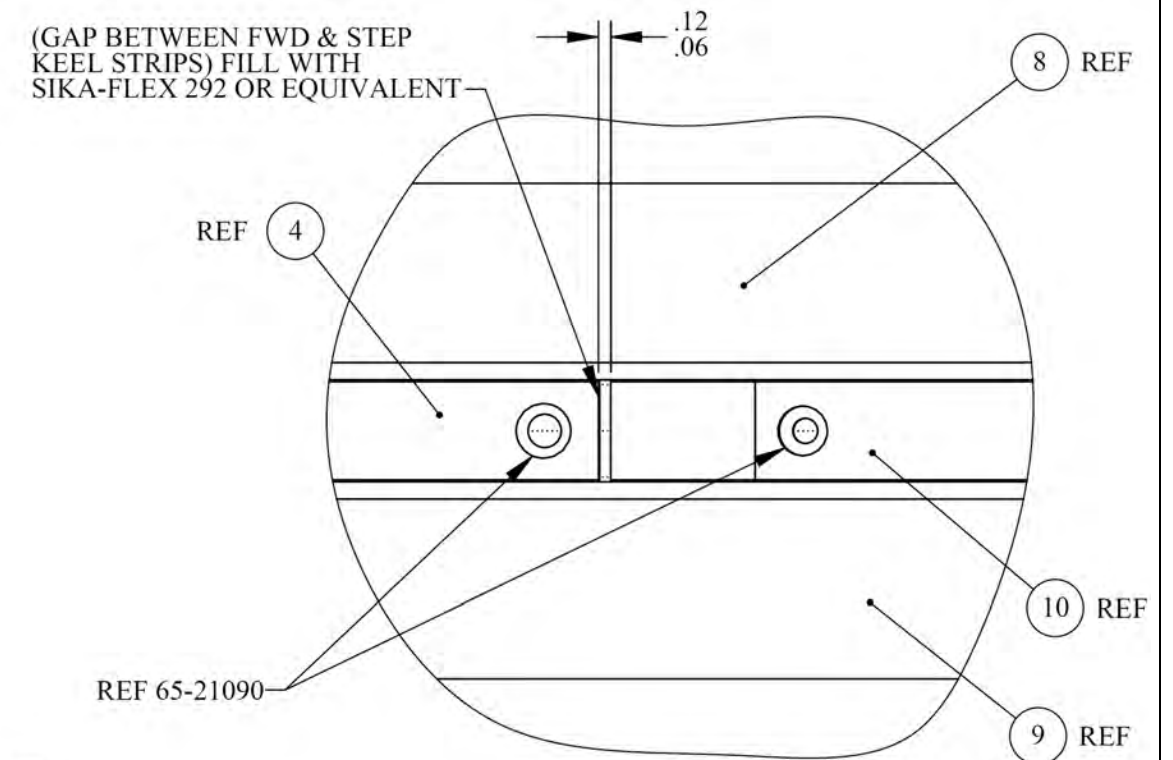
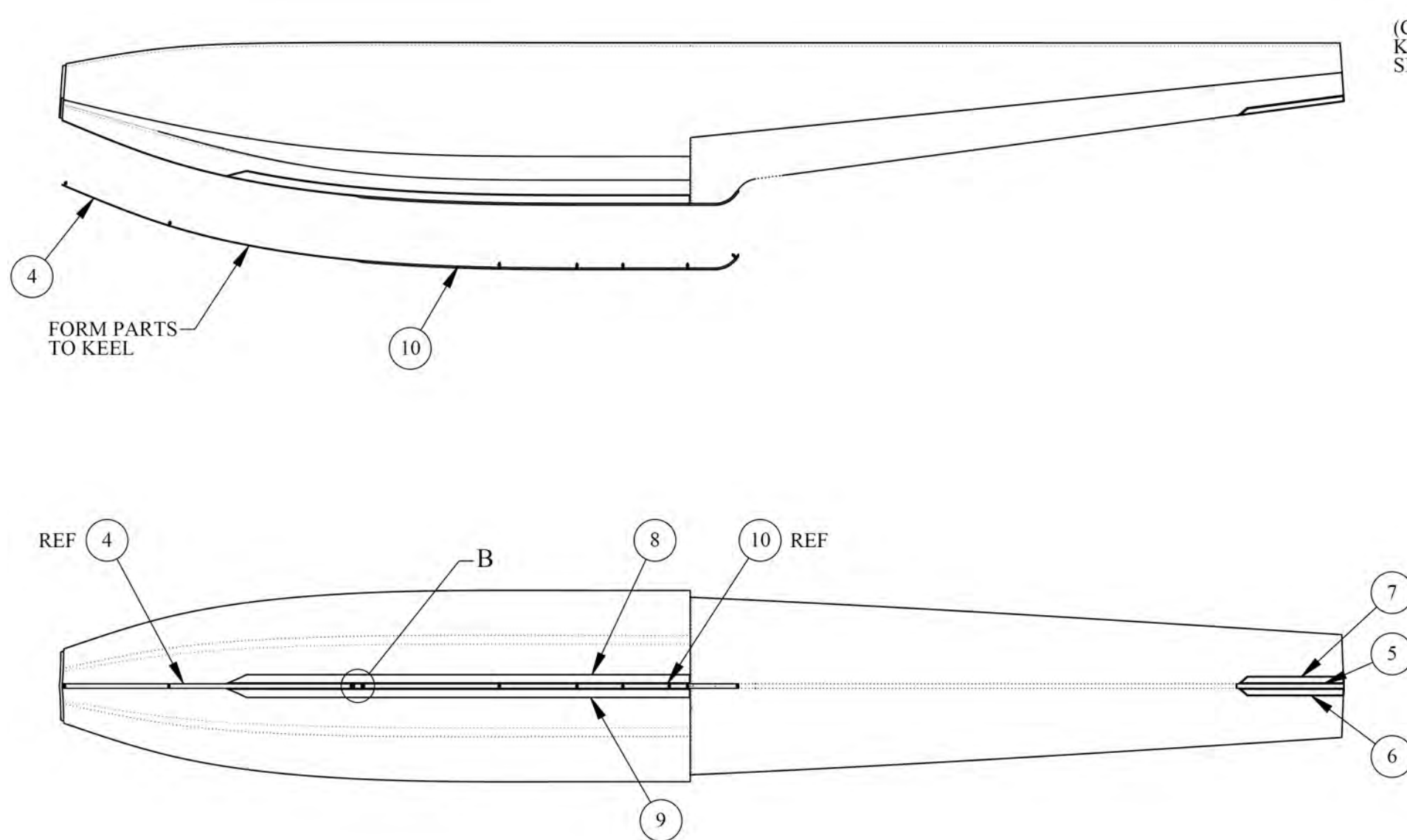
PARTS LIST FOR 65-21180 INSTALLATION QTY. FOR ONE FLOAT HULL SHOWN			
ITEM NO.	QTY.	PART NUMBER	DESCRIPTION
1	2	10R X 1/2 TAS	TRUSS HEAD SCREW, STAINLESS
2	2	35-80047	NUTPLATE, FOR USE WITH #10 SHEET METAL SCREWS
3	4	35-80048-04-0375	SHEET METAL SCREW, UNDERCUT FLAT HEAD, TYPE A OR AB, STAINLESS
4	1	65-21181	FLOTATION FOAM BOARD (USE -1 THRU -9 AS SHOWN)
5	2	65-21182	TOP PANEL
6	4	65-47031	LOCKER BAY, HYDRAULIC LINE, SHIELD TAB



SECTION A-A
SCALE 1 : 4

ISSUE DATE: 02/11/15		 Incorporated TITLE: ICA Maintenance Manual for 6650 Floats on a Quest KODIAK 100	PAGE: A50 of A100
REVISION DATE: 6/27/2017			FILE NO.: A-10038 Appendix A
			REVISION: 1


38. 65-21190 KEEL AND WEAR STRIP INSTALLATION, 6750 SEAPLANE

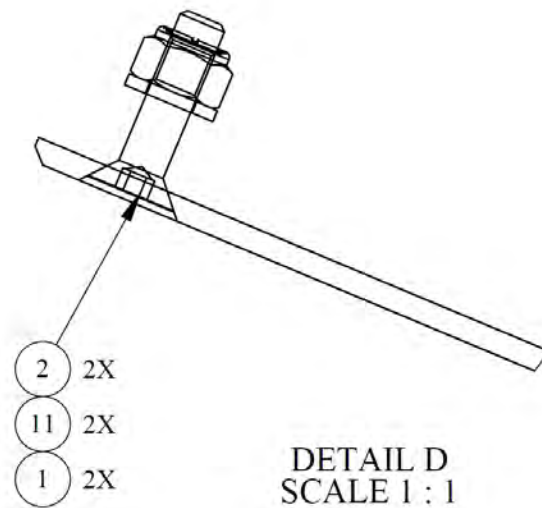
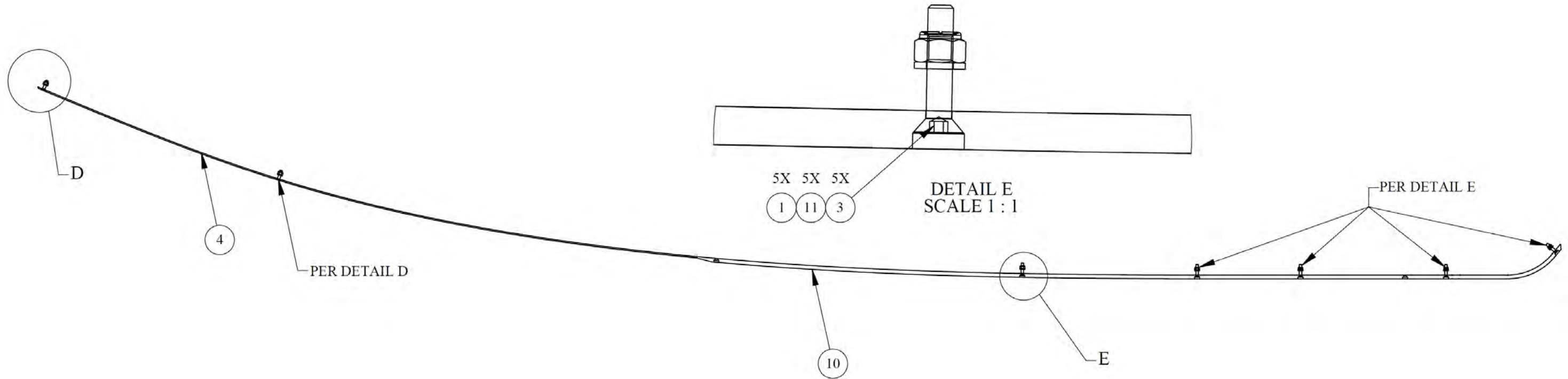


DETAIL B
SCALE 1 : 2


NOTES:

1. BOND WEAR STRIPS USING RESIN/CABOSIL/GELCOAT MIXTURE. BOND KEEL STRIPS USING SIKA-FLEX 292 OR EQUIVALENT.
2. DRILL $\phi 1/4"$ THRU USING HOLES IN KEEL STRIPS WHERE APPLICABLE. INSTALL FASTENERS AND SEAL THEM WITH SIKA-FLEX 292.
3. WEAR STRIPS ARE OPTIONAL. TYPICAL CONFIGURATION SHOWN. MORE OR FEWER NUMBERS OF STRIPS MAY BE ADDED TO SUIT PILOT/OPERATOR PREFERENCES.

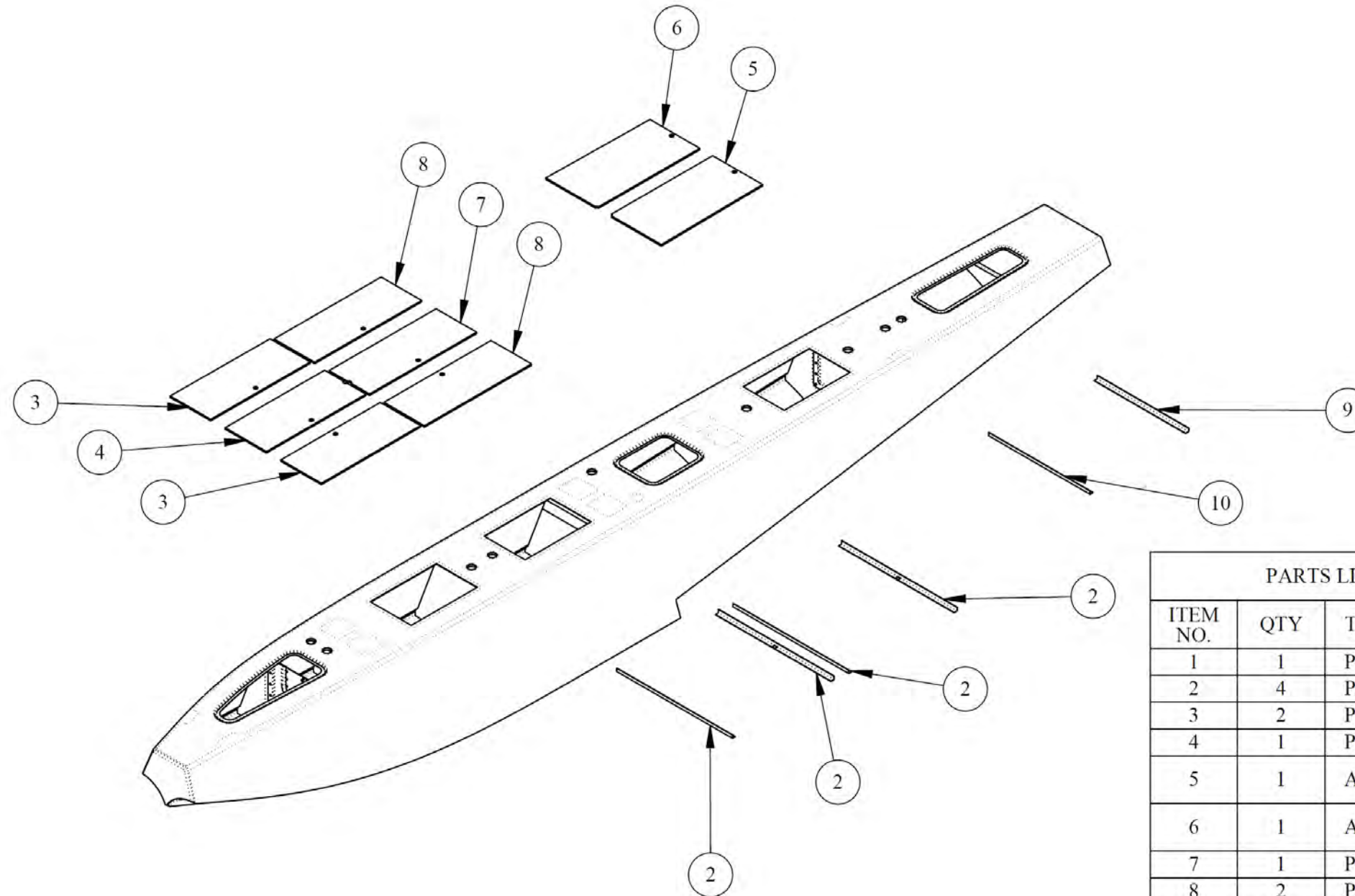
ISSUE DATE: 02/11/15		 Incorporated TITLE: ICA Maintenance Manual for 6650 Floats on a Quest KODIAK 100	PAGE: A51 of A100
REVISION DATE: 6/27/2017			FILE NO.: A-10038 Appendix A
			REVISION: 1




PARTS LIST FOR 65-16190, KEEL AND WEAR STRIP INSTALLATION (REF 65-21090 FOR LSP FASTENERS)					
ITEM NO.	QTY	TYPE	PART NUMBER	DESCRIPTION	ALTERNATE PART NUMBER
1	7	HRDWR	1/4-20	NUT, SELF-LOCKING, 18-8 OR 300 SERIES STAINLESS	
2	2	HRDWR	1/4-20 X 1 FAS	FLAT SOCKET CAP SCREW, 82°, 18-8 OR 300 SERIES S/S	
3	5	HRDWR	1/4-20 X 1.25 FAS	FLAT SOCKET CAP SCREW, 82°, 18-8 OR 300 SERIES S/S	
4	1	PART	65-16192	KEEL STRIP, FORWARD	
5	1	PART	65-16193	KEEL STRIP, AFT AREA	
6	1	PART	65-16194	WEAR STRIP, AFT, RHS	56-10185-R
7	1	PART	65-16194-L	WEAR STRIP, AFT, LHS	56-10185-L
8	1	PART	65-16195-L	WEAR STRIP, FOREBODY, LHS	56-10183-L
9	1	PART	65-16195-R	WEAR STRIP, FOREBODY, RHS	56-10183-R
10	1	PART	65-21191	KEEL STRIP, STEP AREA	
11	7	HRDWR	NAS1149C0463R	WASHER, FLAT, STAINLESS	

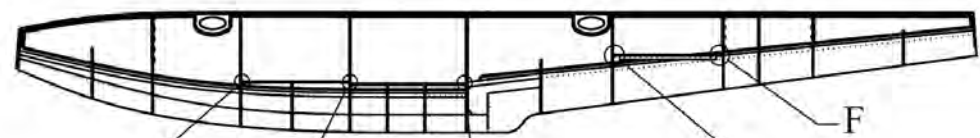
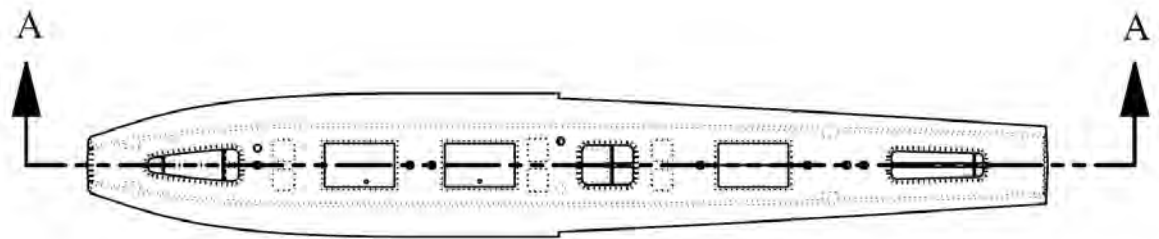
ISSUE DATE: 02/11/15		 Incorporated TITLE: ICA Maintenance Manual for 6650 Floats on a Quest KODIAK 100	PAGE: A52 of A100
REVISION DATE: 6/27/2017			FILE NO.: A-10038 Appendix A
			REVISION: 1

39. 65-21400 FLOOR BOARD INSTALLATION, 6750 SEAPLANE

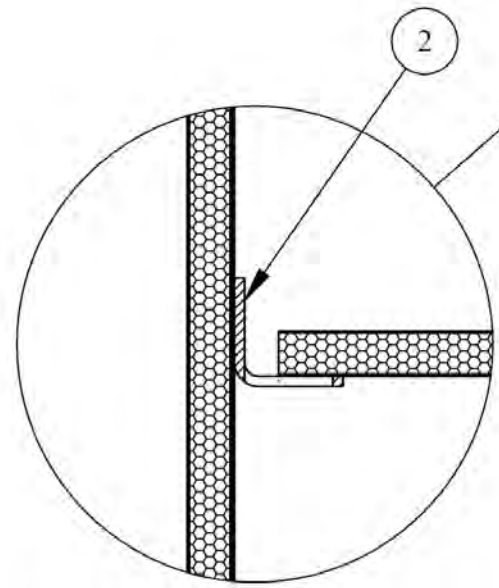


PARTS LIST FOR 65-21400 FLOOR BOARD INSTALLATION, 6750 SEAPLANE				
ITEM NO.	QTY	TYPE	PART NUMBER	DESCRIPTION
1	1	PART	35-80053	1/2" FLEXIBLE, CONVOLUTED, SPLIT LOOM
2	4	PART	65-17301	GUSSET, FLOOR BOARD, CARGO HATCH
3	2	PART	65-17302-1	FLOOR BOARD, CARGO HATCH, FWD BAY
4	1	PART	65-17302-3	FLOOR BOARD, CARGO HATCH, FWD BAY, CENTER
5	1	ASSY	65-17302-4L	FLOOR BOARD, CARGO HATCH, LHS
6	1	ASSY	65-17302-4R	FLOOR BOARD, CARGO HATCH, RHS
7	1	PART	65-17302-6	FLOOR BOARD, CARGO HATCH, CENTER BAY
8	2	PART	65-17302-7	FLOOR BOARD, CARGO HATCH, CENTER BAY
9	1	PART	65-17304-1	GUSSET, FLOOR BOARD, CARGO HATCH, AFT BAY
10	1	PART	65-17304-2	GUSSET, FLOOR BOARD, CARGO HATCH, AFT BAY

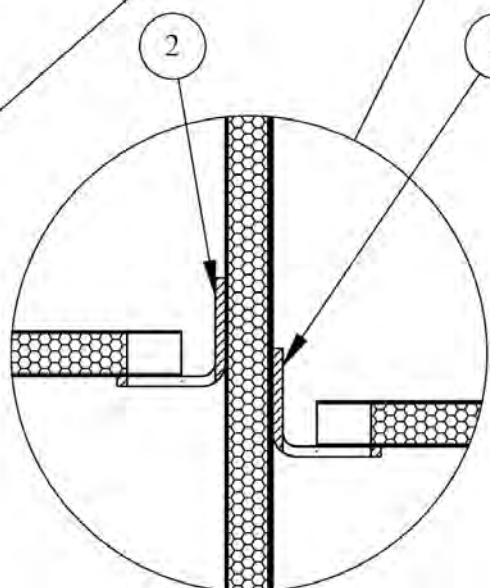
ISSUE DATE: 02/11/15		 Incorporated TITLE: ICA Maintenance Manual for 6650 Floats on a Quest KODIAK 100	PAGE: A53 of A100
REVISION DATE: 6/27/2017			FILE NO.: A-10038 Appendix A
			REVISION: 1



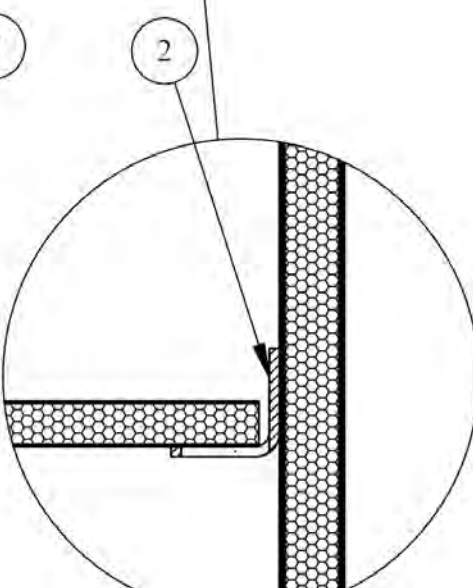
SECTION A-A



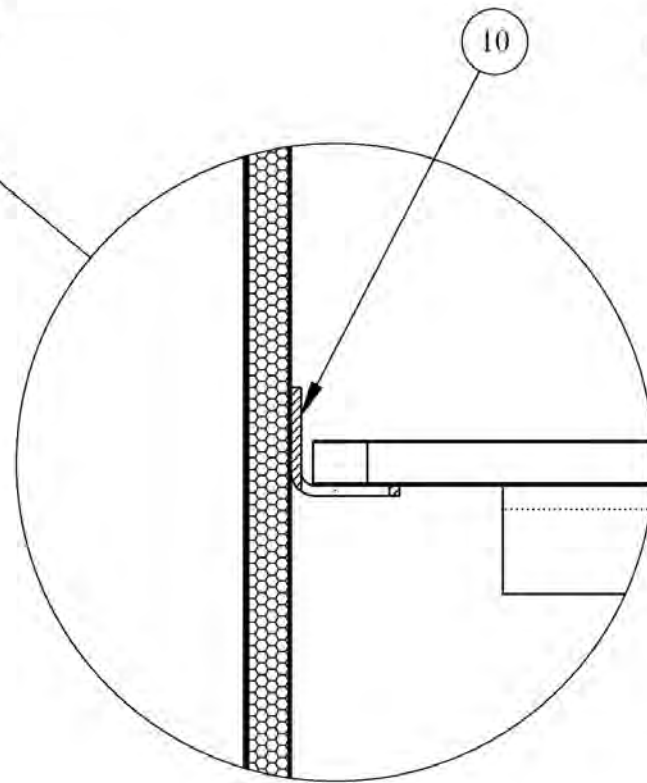
DETAIL B
SCALE 1 : 2



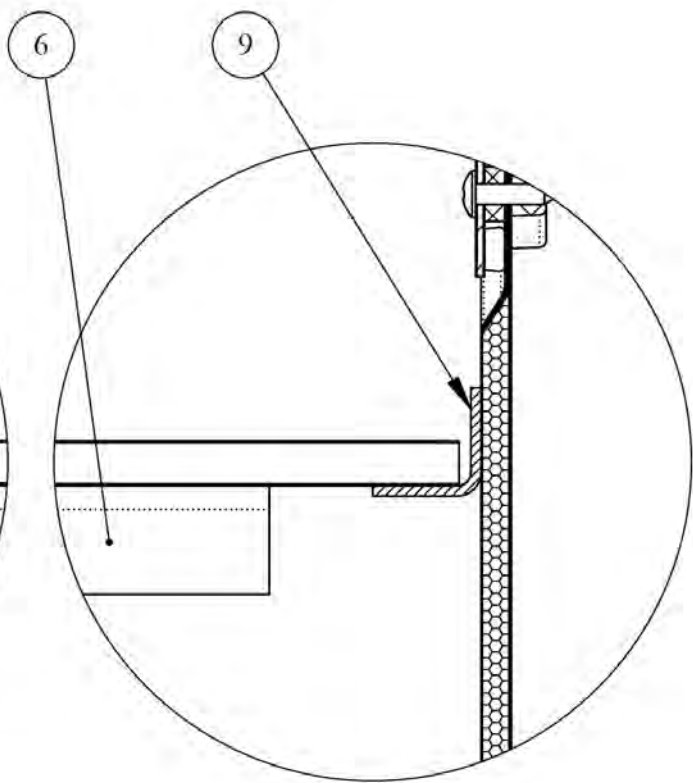
DETAIL C
SCALE 1 : 2




DETAIL D
SCALE 1 : 2



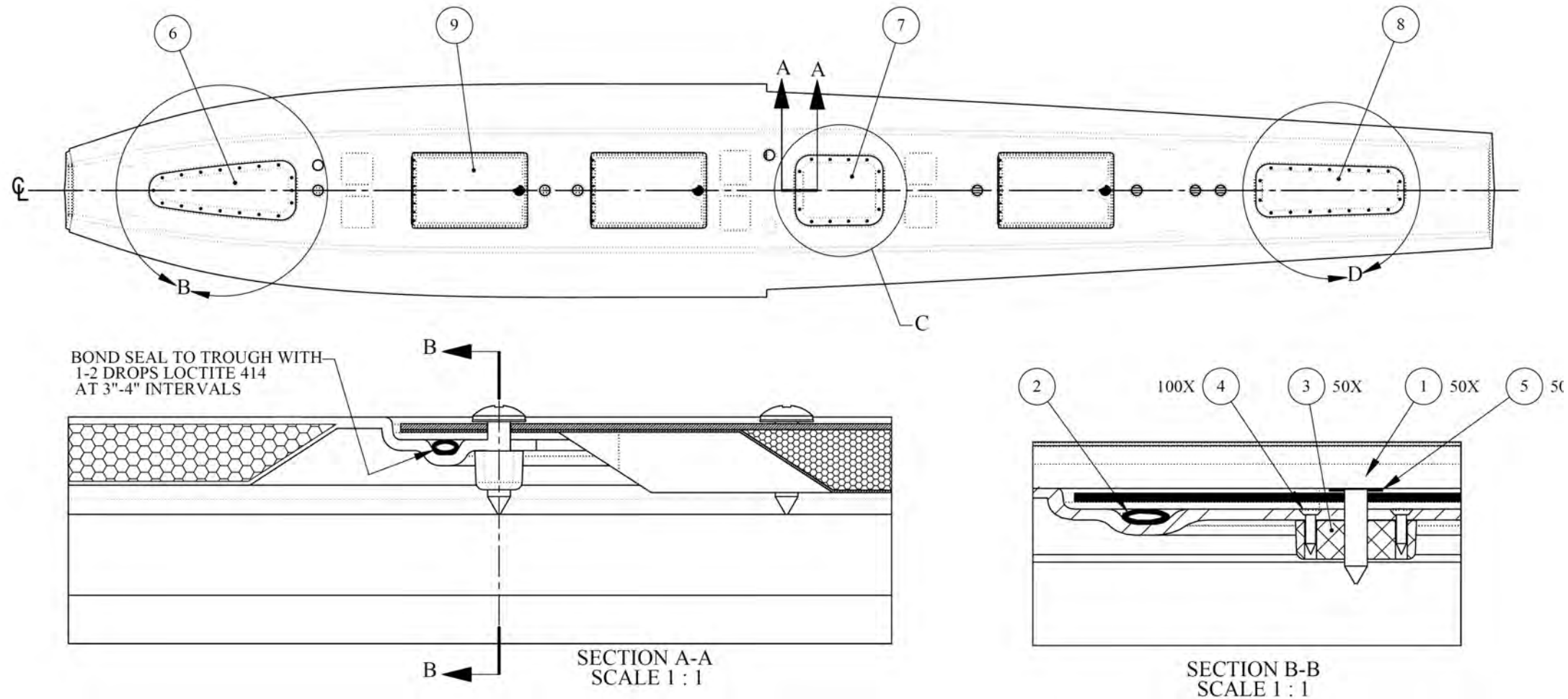
DETAIL E
SCALE 1 : 2




DETAIL F
SCALE 1 : 2

ISSUE DATE: 02/11/15		 Incorporated TITLE: ICA Maintenance Manual for 6650 Floats on a Quest KODIAK 100	PAGE: A54 of A100
REVISION DATE: 6/27/2017			FILE NO.: A-10038 Appendix A
			REVISION: 1

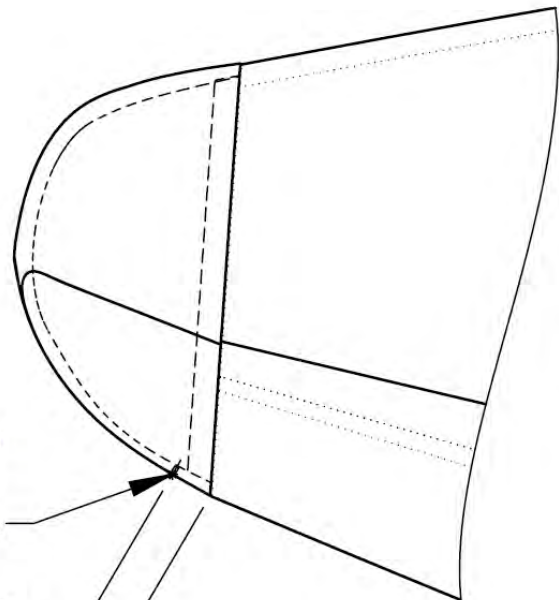
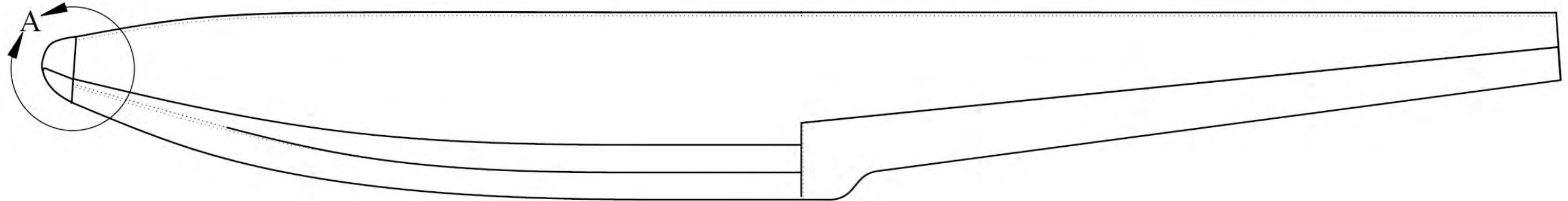
40. 65-21500 ACCESS PANEL & LOCKER DOOR INST. 6750 SEAPLANE



PARTS LIST FOR 65-17500 ACCESS PANEL AND LOCKER DOOR INSTALLATION					
ITEM NO.	QTY	TYPE	PART NUMBER	DESCRIPTION	COMMENTS
1	50	HRDWR	10R X 3/4 TAS	SHT MTL SCREW, STAINLESS, TRUSS HEAD	
2	1	PART	35-80011	HOLLOW CORD SEAL, EPDM (APPROX. 201" TOTAL)	
3	50	PART	35-80047	NUTPLATE, FOR USE WITH #10 SHEET METAL SCREWS	
4	100	PART	35-80048-04-0375	SHEET METAL SCREW, UNDERCUT FLAT HEAD, TYPE A OR AB, STAINLESS	
5	50	PART	35-80050	WASHER, ACCESS PANEL	
6	1	PART	65-17502	ACCESS PANEL, FWD, CARBON FIBER	
7	1	PART	65-17503-2	ACCESS PANEL, AFT OF STEP, CARBON FIBER	
8	1	PART	65-17504	ACCESS PANEL, AFT, CARBON FIBER	
9	1	ASSY	65-17520	LOCKER DOOR INSTALLATION	
10	1	BULK	LOCTITE 414 SUPER BONDER	CYANOACRYLATE ADHESIVE	USED TO BOND 35-80011 SEAL

ISSUE DATE: 02/11/15		 Incorporated TITLE: ICA Maintenance Manual for 6650 Floats on a Quest KODIAK 100	PAGE	A55 of A100
REVISION DATE: 6/27/2017			FILE NO.	A-10038 Appendix A
			REVISION	1

41. 65-21900 BUMPER INSTALLATION, 6750 SEAPLANE



③ DRILL $\phi 1/8" - 11/64"$
VENT HOLE THRU
BUMPER WALL

1.25 ± .25 ③

DETAIL A
SCALE 1 : 8


PARTS LIST FOR 65-21900 BUMPER INSTALLATION, MODEL 6750 FLOATS				
ITEM NO.	QTY	TYPE	PART NUMBER	DESCRIPTION
1	1	PART	56-10125	BUMPER
2	1	HRDWR	4475	3M SCOTCH 4475 ADHESIVE

NOTES:

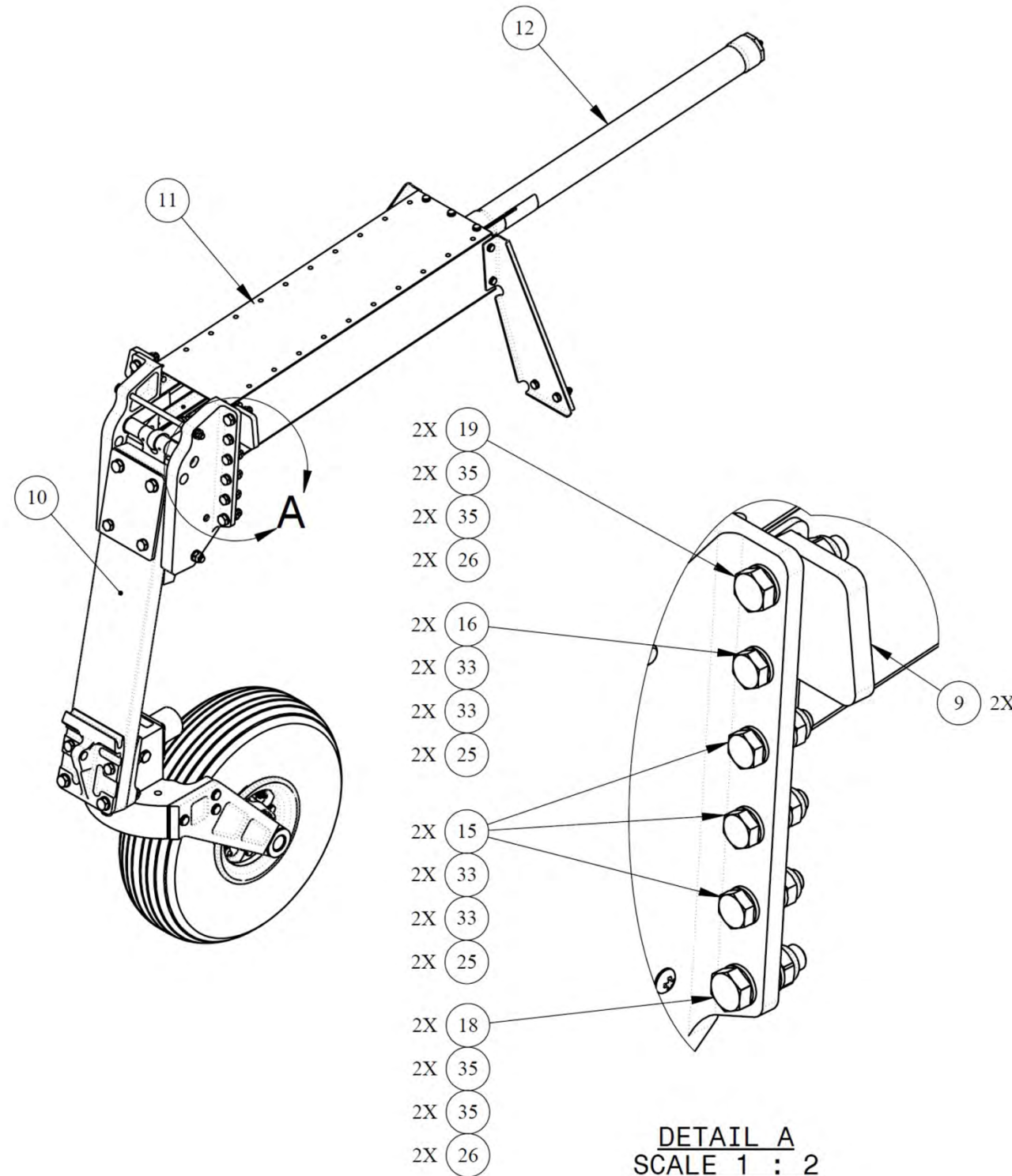
1) SOME TRIMMING OF THE BUMPER MAY BE NECESSARY TO ASSURE PROPER, SNUG FIT.

2) USE 3M SCOTCH 4475 ADHESIVE, OR EQUIVALENT PERMANENT ADHESIVE PER MANUFACTURER'S RECOMMENDATIONS.


③ DRILL VENT HOLE AT DIAMETER SHOWN THOUGH BUMPER WALL.

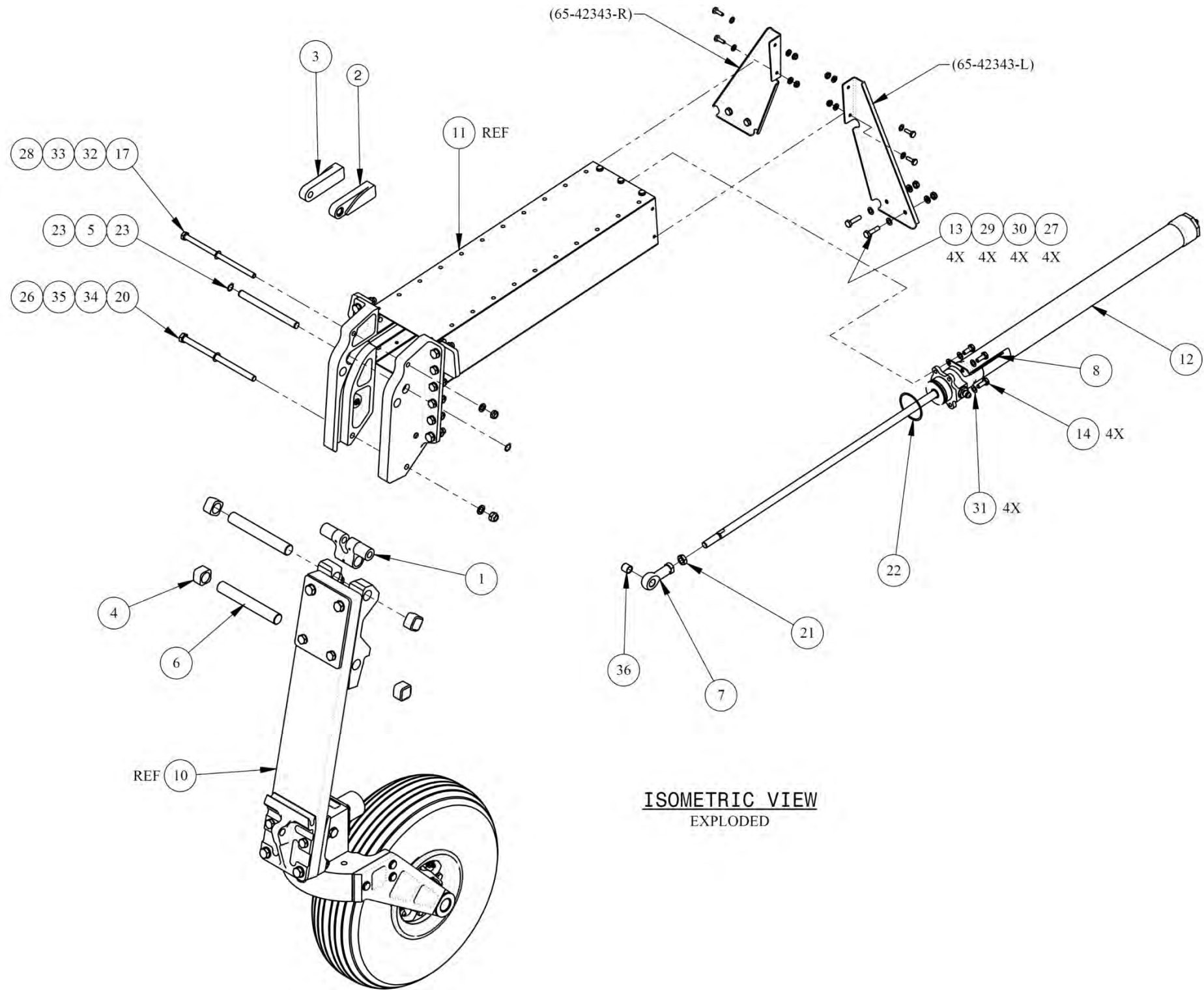
ISSUE DATE: 02/11/15		 Incorporated TITLE: ICA Maintenance Manual for 6650 Floats on a Quest KODIAK 100	PAGE: A56 of A100
REVISION DATE: 6/27/2017			FILE NO.: A-10038 Appendix A
			REVISION: 1


42. 65-42000 NOSE GEAR ASSEMBLY, 6650 AMPHIBIAN



ITEM NO.	QTY.	TYPE	PART NUMBER	DESCRIPTION
1	1	PART	65-42021	LOCK BRACKET, NOSE GEAR
2	1	PART	65-42023-L	SLIDE LOCK, LHS
3	1	PART	65-42023-R	SLIDE LOCK, RHS
4	4	PART	65-42024	SLIDE BUSHING
5	1	PART	65-42027	PIN, SLIDE LOCK
6	2	PART	65-42028	PIN, SLIDE BUSHINGS
7	1	PART	65-42029	ROD END
8	1	PART	65-42031	POSITION SENSOR ATTACHMENT BRACKET
9	2	PART	65-42088	BACKING PLATE, NOSE GEAR
10	1	ASSY	65-42100	LOWER NOSE GEAR ASSEMBLY
11	1	ASSY	65-42300	SLIDE BOX ASSEMBLY
12	1	ASSY	65-42400	HYDRAULIC ACTUATOR ASSEMBLY, NOSE GEAR
13	4	HRDWR	AN4C10A	BOLT - MACHINE, AIRCRAFT, STAINLESS
14	4	HRDWR	AN4H5A	BOLT - MACHINE, AIRCRAFT
15	6	HRDWR	AN5-10A	BOLT - MACHINE, AIRCRAFT
16	2	HRDWR	AN5-13A	BOLT - MACHINE, AIRCRAFT
17	1	HRDWR	AN5-63A	BOLT - MACHINE, AIRCRAFT
18	2	HRDWR	AN6-11A	BOLT - MACHINE, AIRCRAFT
19	2	HRDWR	AN6-14A	BOLT - MACHINE, AIRCRAFT
20	1	HRDWR	AN6-64A	BOLT - MACHINE, AIRCRAFT
21	1	HRDWR	AN316-7R	7/16-20 UNF-3B STEEL JAM NUT, RH THREADS
22	1	HRDWR	M83461/1-032	ORING, NITRILE (ALT. USE MS28775-032)
23	2	HRDWR	MS16624-4043	RETAINING RING, EXTERNAL
24	1	BULK	MS20995C20	SAFETY WIRE, Ø.020, STAINLESS
25	8	HRDWR	MS21044N5	NUT, SELF-LOCKING, REGULAR HEIGHT
26	5	HRDWR	MS21044N6	NUT, SELF-LOCKING, REGULAR HEIGHT
27	4	HRDWR	MS21083C4	NUT, SELF-LOCKING, LOW-HEIGHT, STAINLESS
28	1	HRDWR	MS21083N5	NUT, SELF-LOCKING, LOW HEIGHT
29	4	HRDWR	NAS1149C0416R	WASHER, FLAT, STAINLESS
30	4	HRDWR	NAS1149C0463R	WASHER, FLAT, STAINLESS
31	4	HRDWR	NAS1149D0416K	WASHER, FLAT
32	1	HRDWR	NAS1149D0516K	WASHER, FLAT
33	17	HRDWR	NAS1149D0563K	WASHER, FLAT
34	1	HRDWR	NAS1149D0616K	WASHER, FLAT
35	9	HRDWR	NAS1149D0663K	WASHER, FLAT
36	1	HRDWR	TSI-0708-08	IGLIDE T500, PLAIN BEARING (iglide P/N)

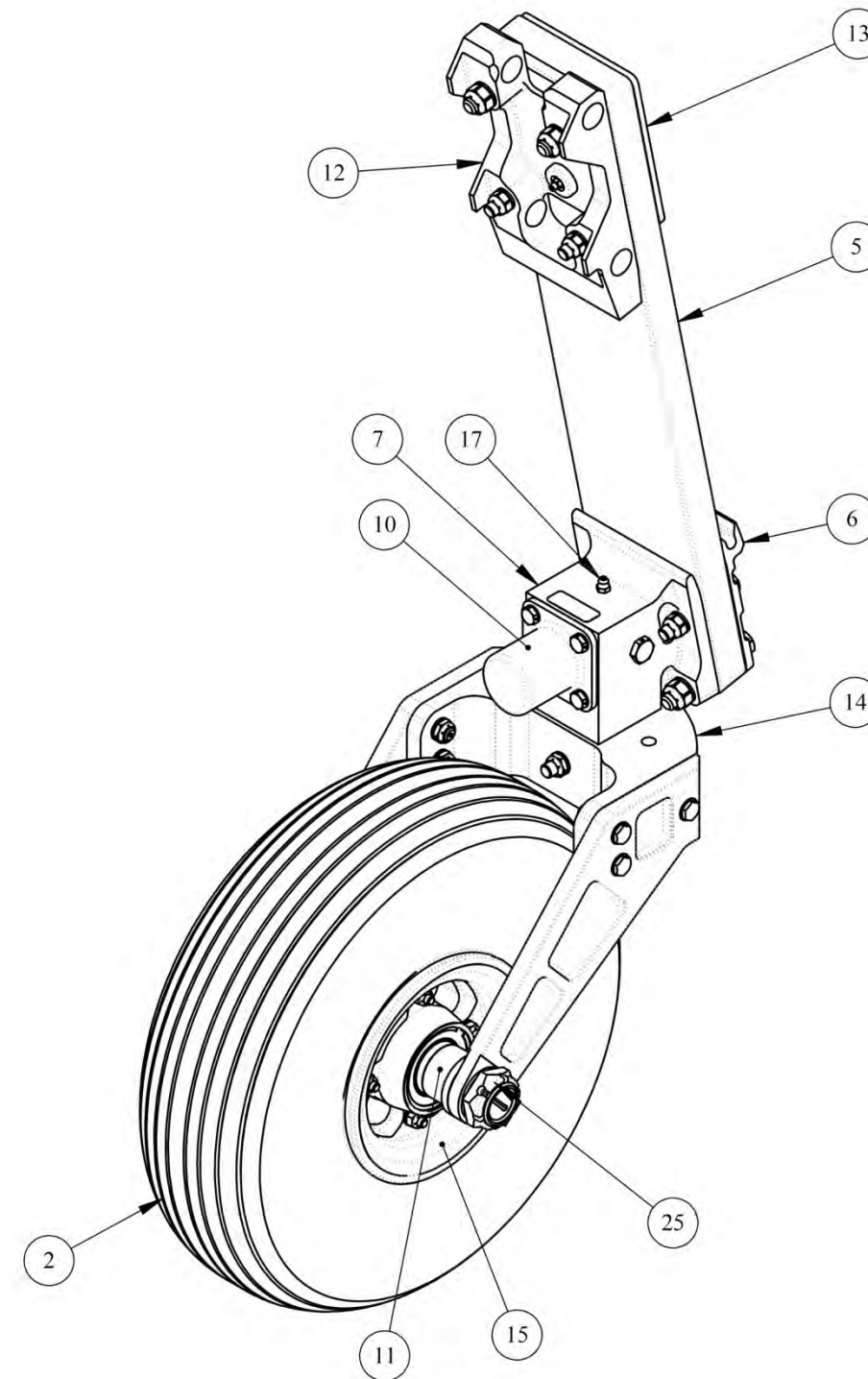
ISSUE DATE: 02/11/15		 Incorporated TITLE: ICA Maintenance Manual for 6650 Floats on a Quest KODIAK 100	PAGE: A57 of A100
REVISION DATE: 6/27/2017			FILE NO.: A-10038 Appendix A
			REVISION: 1




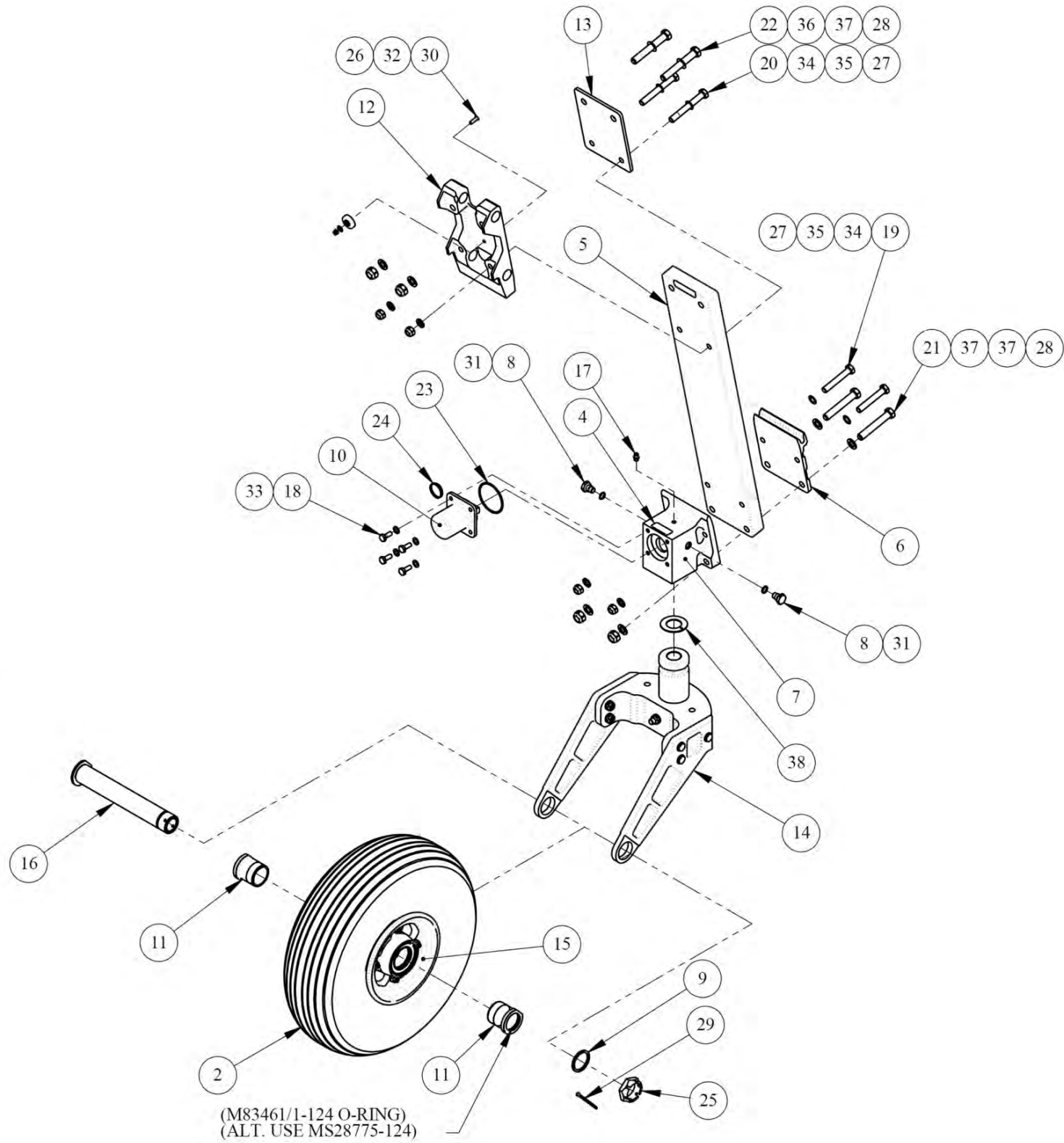
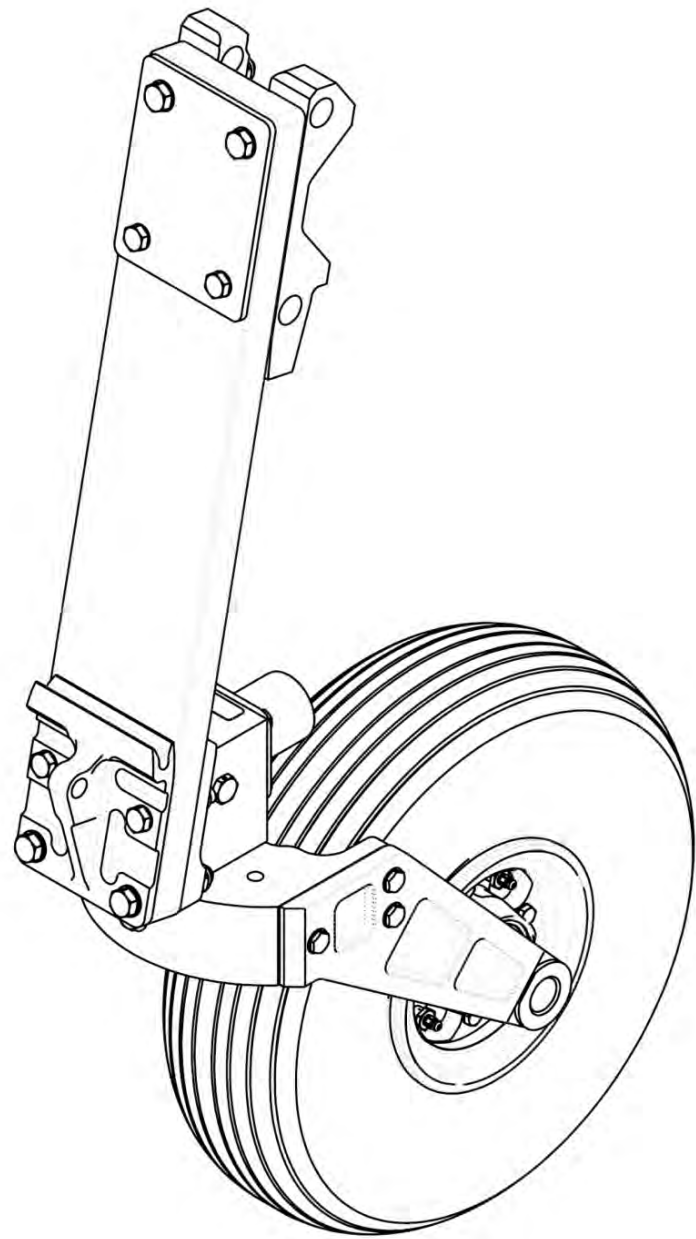
ISSUE DATE: 02/11/15		 Incorporated TITLE: ICA Maintenance Manual for 6650 Floats on a Quest KODIAK 100	PAGE: A58 of A100
REVISION DATE: 6/27/2017			FILE NO.: A-10038 Appendix A
			REVISION: 1

43. 65-42100 LOWER NOSE GEAR ASSEMBLY, 6650 AMPHIBIAN


ITEM NO.	QTY.	TYPE	PART NUMBER	DESCRIPTION
1	1	HRDWR	5.00-5	TIRE TUBE [TR67(A) VALVE STEM]
2	1	HRDWR	5.00-5 6 PLY	TIRE PER FAA APPROVED TSO-C62
3	1	PART	35A-40120	ZINC ANODE
4	1	PART	35A-42127	WARNING PLACARD
5	1	PART	65-42103	COMPOSITE SPRING
6	1	PART	65-42104	LOWER CLAMP BLOCK
7	1	PART	65-42105	PIVOT BLOCK
8	2	PART	65-42107	PIVOT PIN SAFETY LOCK
9	1	PART	65-42117	WASHER
10	1	ASSY	65-42120	DETENT PISTON ASSEMBLY
11	2	ASSY	65-42130	TENSIONER BUSHING ASSEMBLY, FOR USE WITH 5.00-5 WHEEL ASSEMBLY
12	1	PART	65-42141	SLIDE TRUCK
13	1	PART	65-42142	PLATE
14	1	ASSY	65-42150	PIVOT PIN ASSEMBLY, FOR 5.00-5 WHEEL & TIRE INSTALLATION
15	1	ASSY	65-42170	5.00-5 NOSE WHEEL ASSEMBLY
16	1	PART	65-42178	AXLE, NOSE GEAR, 5.00-5 WHEEL ASSEMBLY
17	1	HRDWR	03244860	GREASE FITTING, 1/4-28, STAINLESS
18	4	HRDWR	AN4H5A	BOLT - MACHINE, AIRCRAFT
19	2	HRDWR	AN6-22A	BOLT - MACHINE, AIRCRAFT
20	2	HRDWR	AN6-27A	BOLT - MACHINE, AIRCRAFT
21	2	HRDWR	AN7-25A	BOLT - MACHINE, AIRCRAFT
22	2	HRDWR	AN7-27A	BOLT - MACHINE, AIRCRAFT
23	1	HRDWR	M83461/1-136	O-RING (ALT. USE MS28775-136)
24	1	BULK	MS20995C20	SAFETY WIRE, Ø.020, STAINLESS
25	1	HRDWR	MS21025-20	NUT, CASTELLATED, HEXAGON
26	1	HRDWR	MS21042-3	NUT, SELF-LOCKING, REDUCED HEX
27	4	HRDWR	MS21044N6	NUT, SELF-LOCKING, REGULAR HEIGHT
28	4	HRDWR	MS21044N7	NUT, SELF-LOCKING, REGULAR HEIGHT
29	1	HRDWR	MS24665-362	COTTER PIN
30	1	HRDWR	MS24693-S273	MACHINE SCREW, COUNTERSUNK HEAD
31	2	HRDWR	MS28778-4	O-RING, STRAIGHT THREAD TUBE FITTING BOSS
32	1	HRDWR	NAS1149D0316K	WASHER, FLAT
33	4	HRDWR	NAS1149D0416K	WASHER, FLAT
34	4	HRDWR	NAS1149D0616K	WASHER, FLAT
35	4	HRDWR	NAS1149D0663K	WASHER, FLAT
36	2	HRDWR	NAS1149D0716K	WASHER, FLAT
37	6	HRDWR	NAS1149D0763K	WASHER, FLAT
38	1	HRDWR	TTI-1628-01	THRUST WASHER, igus P/N



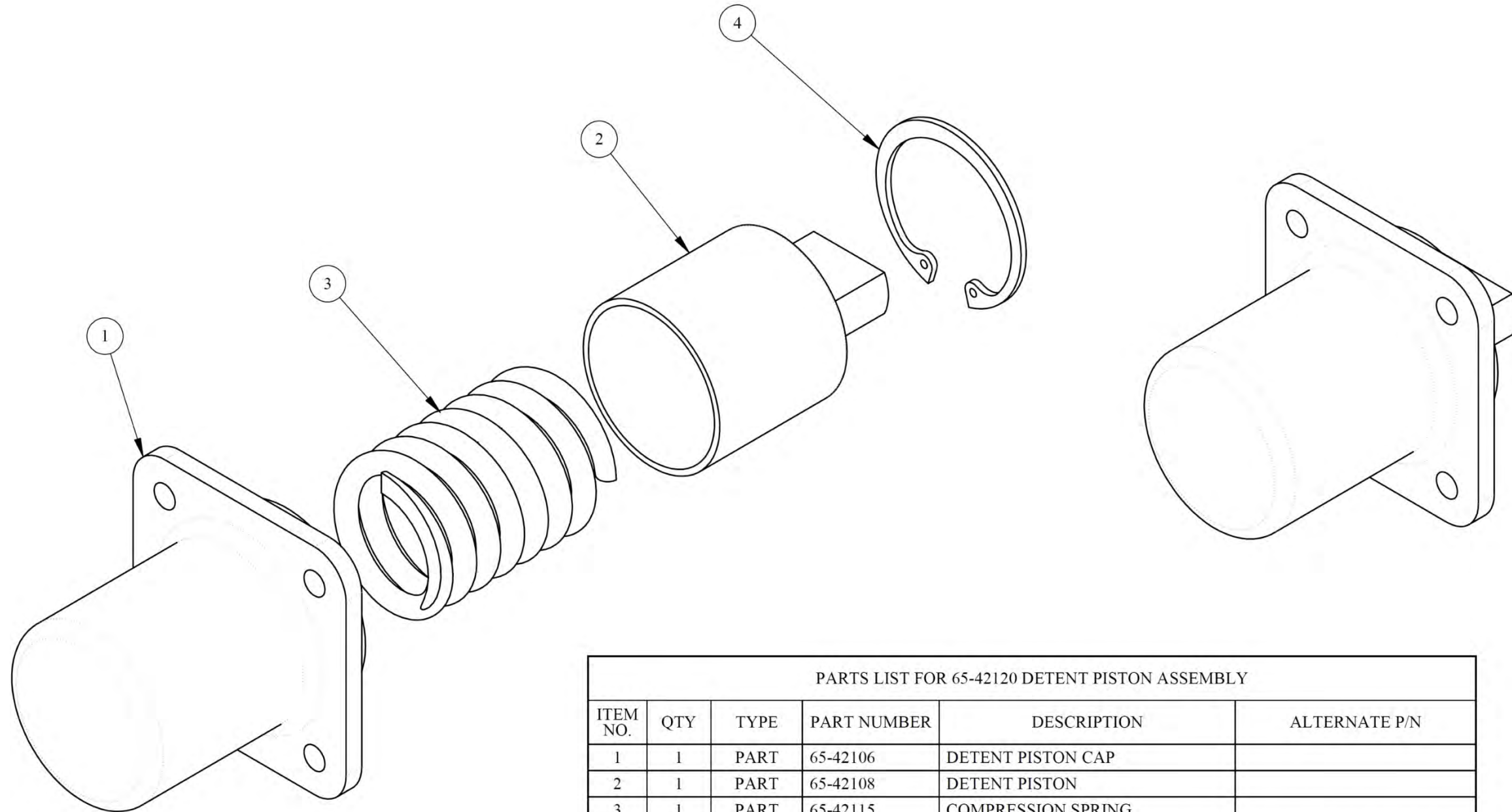
ISSUE DATE: 02/11/15		 Incorporated TITLE: ICA Maintenance Manual for 6650 Floats on a Quest KODIAK 100	PAGE: A59 of A100
REVISION DATE: 6/27/2017			FILE NO.: A-10038 Appendix A
			REVISION: 1




(M83461/1-124 O-RING)
(ALT. USE MS28775-124)

ISSUE DATE: 02/11/15		 Incorporated TITLE: ICA Maintenance Manual for 6650 Floats on a Quest KODIAK 100	PAGE: A60 of A100
REVISION DATE: 6/27/2017			FILE NO.: A-10038 Appendix A
			REVISION: 1

44. 65-42120 DETENT PISTON ASSEMBLY, 6650 AMPHIBIAN

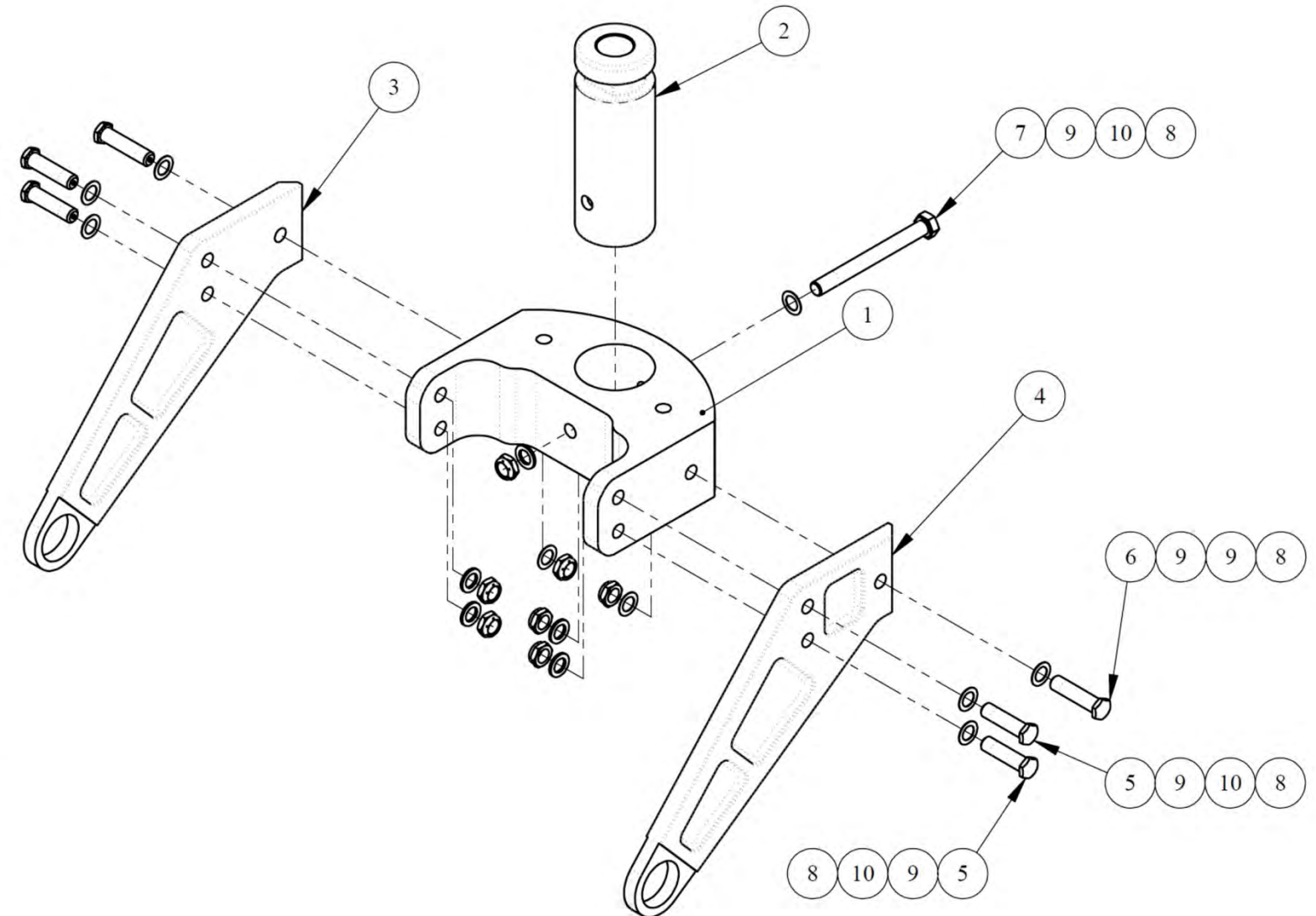



PARTS LIST FOR 65-42120 DETENT PISTON ASSEMBLY					
ITEM NO.	QTY	TYPE	PART NUMBER	DESCRIPTION	ALTERNATE P/N
1	1	PART	65-42106	DETENT PISTON CAP	
2	1	PART	65-42108	DETENT PISTON	
3	1	PART	65-42115	COMPRESSION SPRING	
4	1	HRDWR	MS16625-1162	RETAINING RING, INTERNAL	ROTORCLIP P/N HO-162ST & PER NOTE1

ISSUE DATE: 02/11/15		 Incorporated TITLE: ICA Maintenance Manual for 6650 Floats on a Quest KODIAK 100	PAGE: A61 of A100
REVISION DATE: 6/27/2017			FILE NO.: A-10038 Appendix A
			REVISION: 1

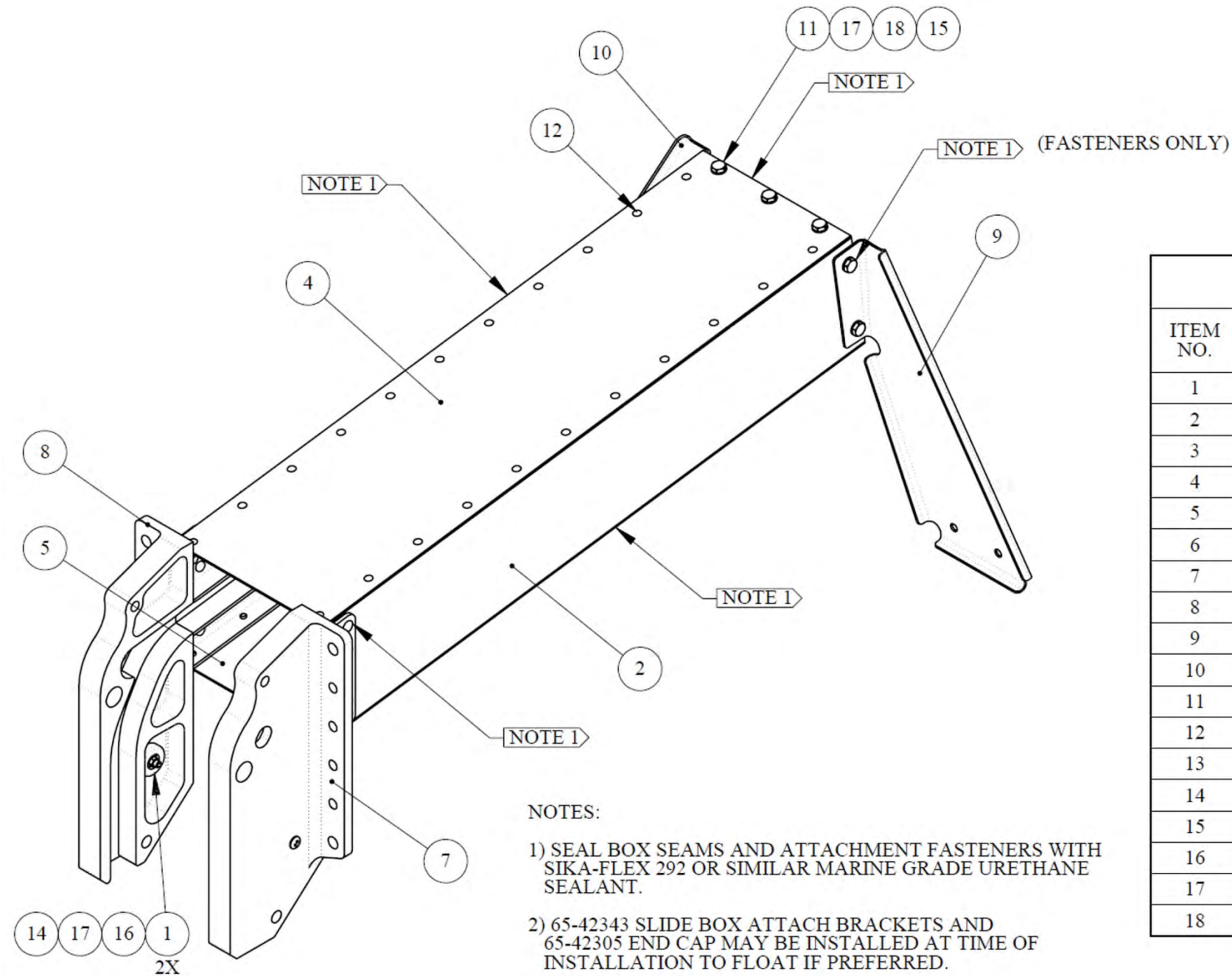
45. 65-42150 PIVOT PIN ASSEMBLY, 6650 AMPHIBIAN

PARTS LIST FOR 65-42150 PIVOT PIN ASSEMBLY				
ITEM NO.	QTY	TYPE	PART NUMBER	DESCRIPTION
1	1	PART	65-42151	FORK ATTACHMENT BLOCK
2	1	PART	65-42152	PIVOT PIN
3	1	PART	65-42153-L	NOSE FORK, LHS
4	1	PART	65-42153-R	NOSE FORK, RHS
5	4	PART	65-42156-22A	BOLT, DOME-HEAD, Ø3/8"
6	2	PART	65-42156-24A	BOLT, DOME-HEAD, Ø3/8"
7	1	HRDWR	AN6-35A	BOLT - MACHINE, AIRCRAFT
8	7	HRDWR	MS21083N6	NUT, SELF LOCKING, LOW HEIGHT
9	9	HRDWR	NAS1149D0616K	WASHER, FLAT
10	5	HRDWR	NAS1149D0663K	WASHER, FLAT



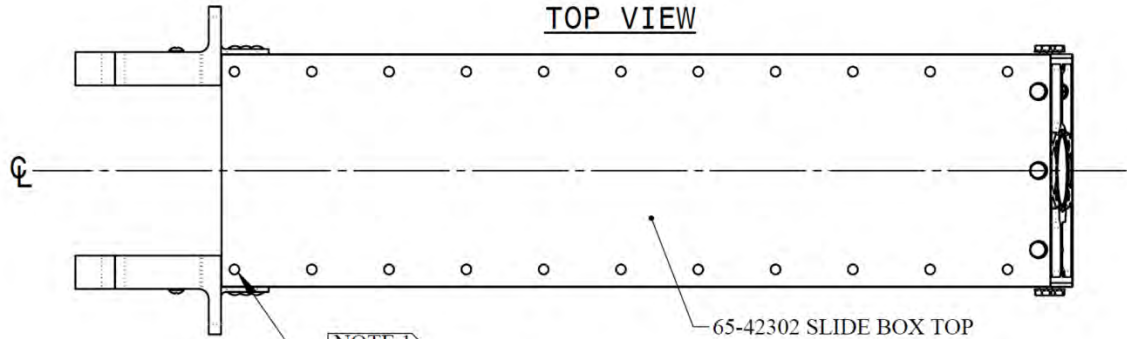
ISSUE DATE: 02/11/15		 Incorporated TITLE: ICA Maintenance Manual for 6650 Floats on a Quest KODIAK 100	PAGE: A62 of A100
REVISION DATE: 6/27/2017			FILE NO.: A-10038 Appendix A
			REVISION: 1

46. 65-42300 SLIDE BOX ASSEMBLY, 6650 AMPHIBIAN



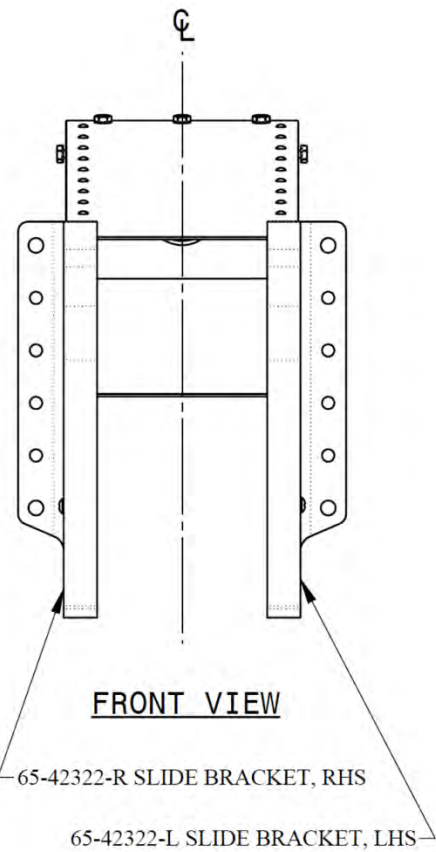
PARTS LIST FOR 65-42300 SLIDE BOX ASSEMBLY				
ITEM NO.	QTY	TYPE	PART NUMBER	DESCRIPTION
1	2	PART	35A-40120	ZINC ANODE
2	1	PART	65-42301-L	SLIDE BOX TRACK, LHS
3	1	PART	65-42301-R	SLIDE BOX TRACK, RHS
4	1	PART	65-42302	SLIDE BOX TOP
5	1	PART	65-42303	SLIDE BOX BOTTOM
6	1	PART	65-42305	END CAP
7	1	PART	65-42322-L	SLIDE BRACKET, LHS
8	1	PART	65-42322-R	SLIDE BRACKET, RHS
9	1	PART	65-42343-L	SLIDE BOX ATTACH BRACKET, LHS
10	1	PART	65-42343-R	SLIDE BOX ATTACH BRACKET, RHS
11	8	HRDWR	AN3-5A	BOLT - MACHINE, AIRCRAFT
12	44	HRDWR	MS20470AD4-6	RIVET, SOLID, UNIVERSAL HEAD (LENGTH A/R)
13	18	HRDWR	MS20470AD6-7	RIVET, SOLID, UNIVERSAL HEAD (LENGTH A/R)
14	2	HRDWR	MS21042-3	NUT, SELF-LOCKING, REDUCED HEX
15	8	HRDWR	MS21083N3	NUT, SELF-LOCKING, LOW-HEIGHT
16	2	HRDWR	MS35207-264	MACHINE SCREW
17	10	HRDWR	NAS1149D0316K	WASHER, FLAT
18	8	HRDWR	NAS1149D0363K	WASHER, FLAT

ISSUE DATE: 02/11/15		AEROCET Incorporated	PAGE	A63 of A100
			FILE NO.	A-10038 Appendix A
REVISION DATE: 6/27/2017	TITLE: ICA Maintenance Manual for 6650 Floats on a Quest KODIAK 100		REVISION	1

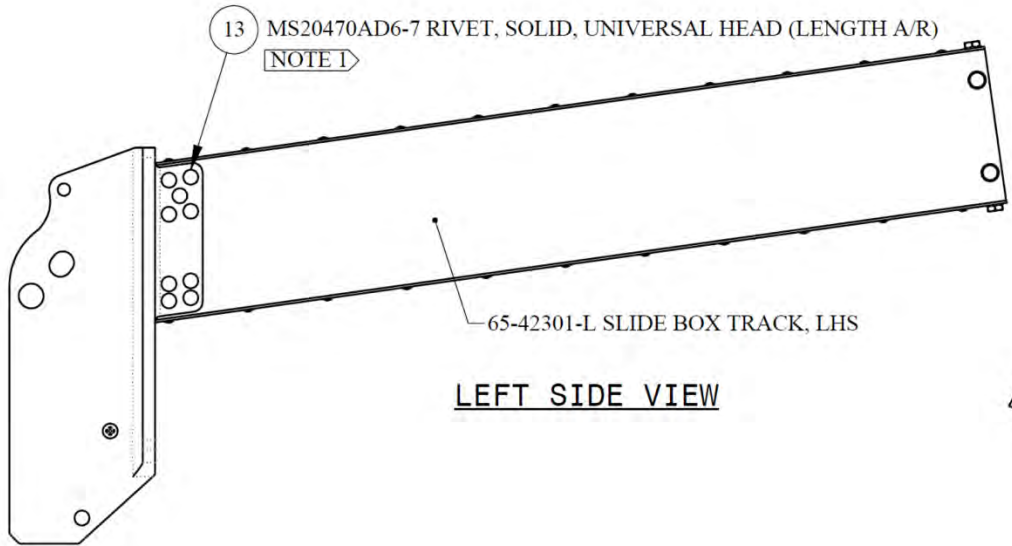


NOTE 1
MS20470AD4-6 RIVET, SOLID, UNIVERSAL HEAD (LENGTH A/R)

65-42302 SLIDE BOX TOP

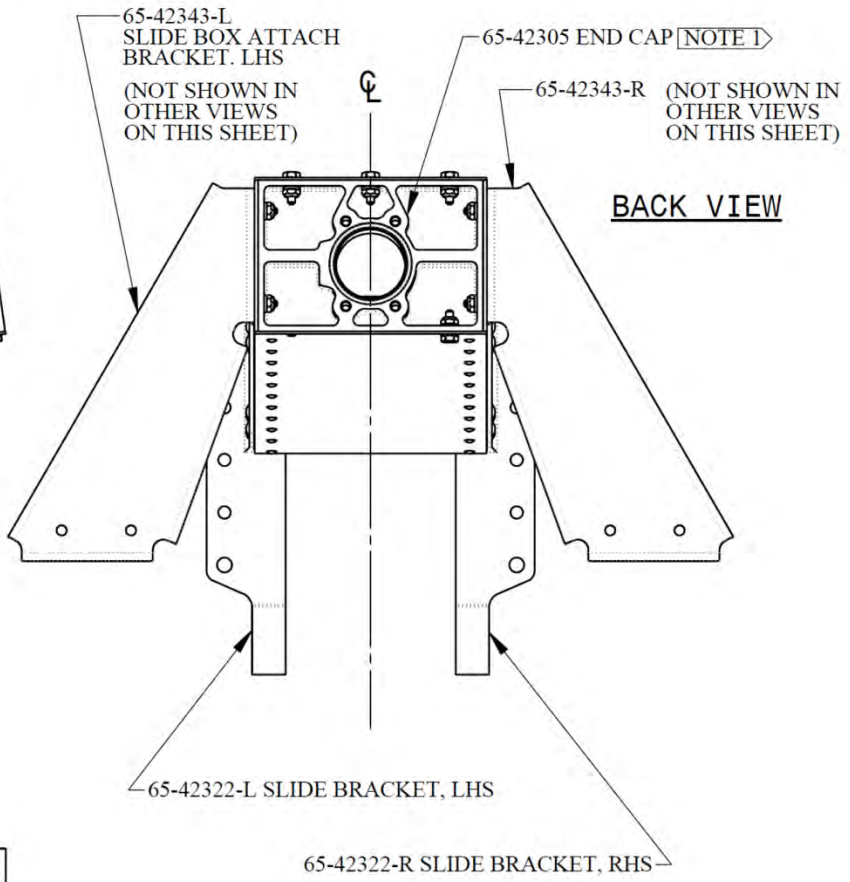


65-42322-R SLIDE BRACKET, RHS
65-42322-L SLIDE BRACKET, LHS



13 MS20470AD6-7 RIVET, SOLID, UNIVERSAL HEAD (LENGTH A/R)
NOTE 1

65-42301-L SLIDE BOX TRACK, LHS



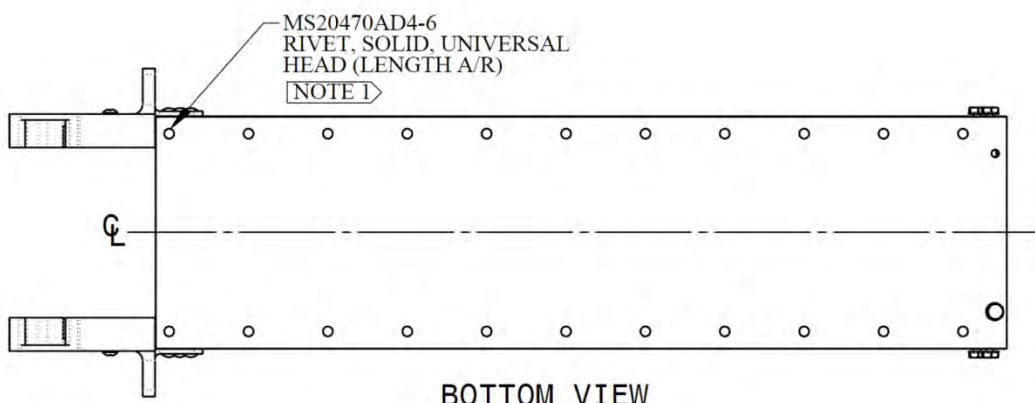
65-42343-L SLIDE BOX ATTACH BRACKET, LHS
(NOT SHOWN IN OTHER VIEWS ON THIS SHEET)

65-42305 END CAP **NOTE 1**

65-42343-R (NOT SHOWN IN OTHER VIEWS ON THIS SHEET)

65-42322-L SLIDE BRACKET, LHS

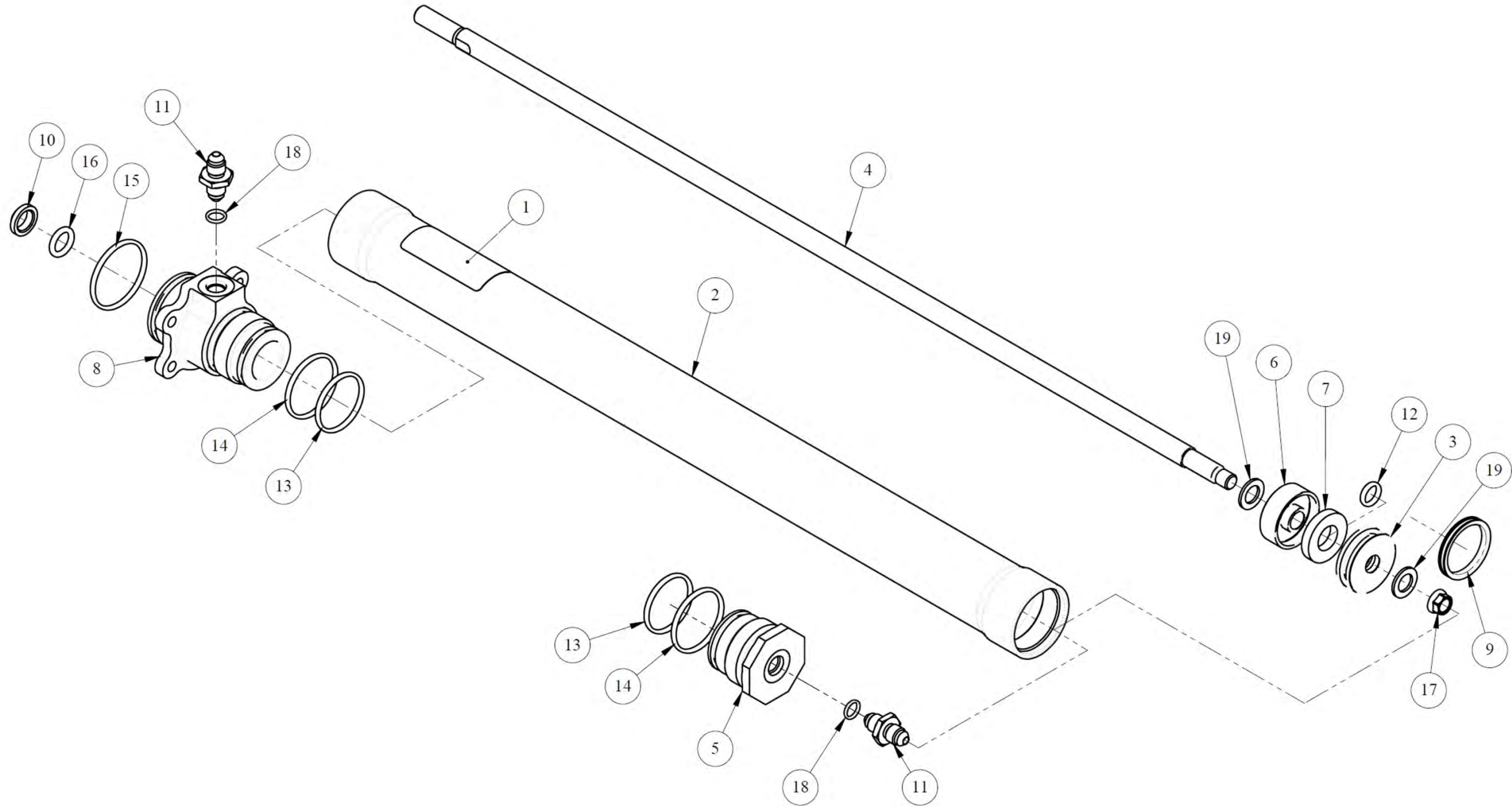
65-42322-R SLIDE BRACKET, RHS




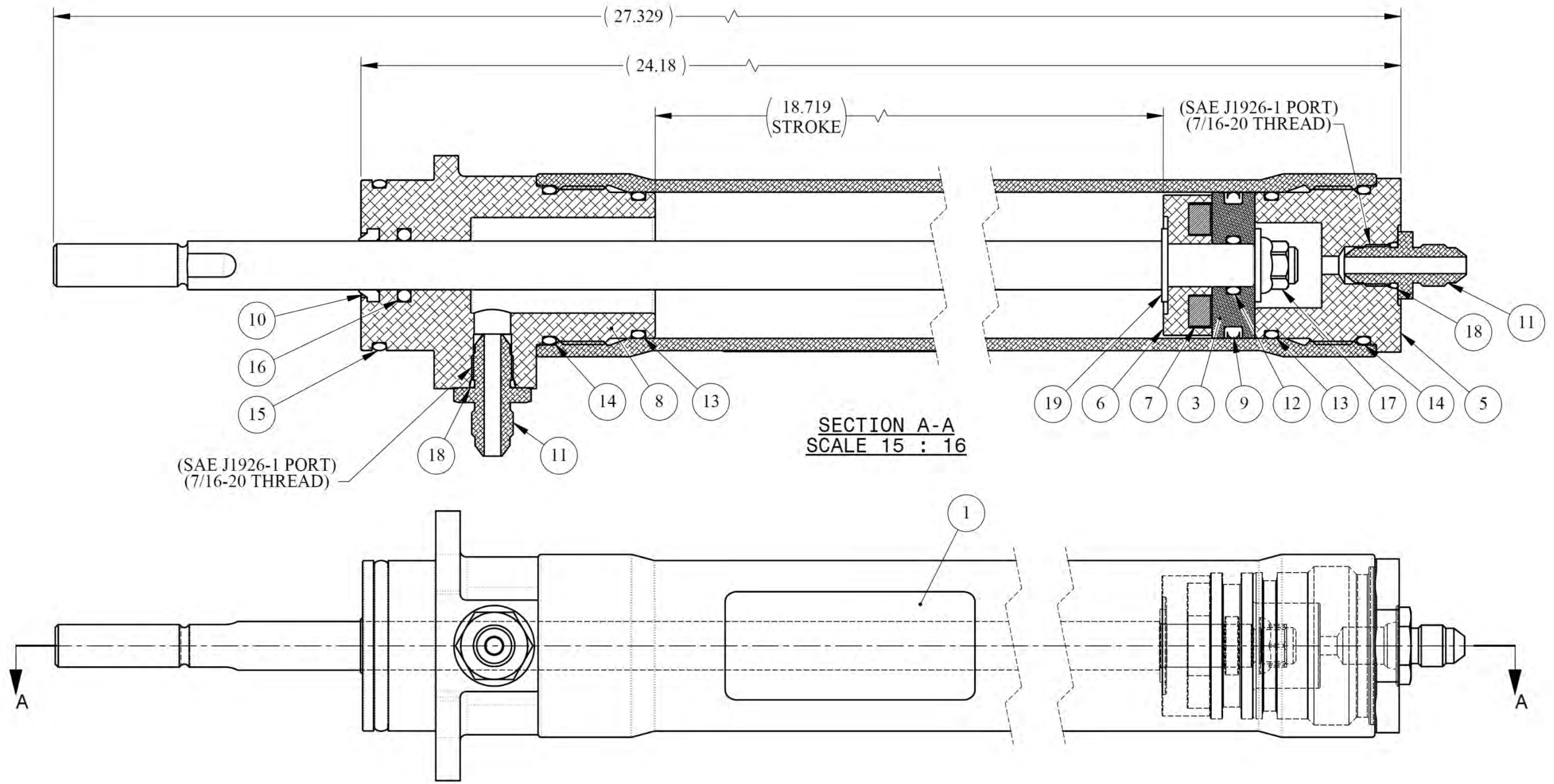
MS20470AD4-6 RIVET, SOLID, UNIVERSAL HEAD (LENGTH A/R)
NOTE 1


ISSUE DATE: 02/11/15		AEROCET Incorporated	PAGE	A64 of A100
			FILE NO.	A-10038 Appendix A
REVISION DATE: 6/27/2017		TITLE: ICA Maintenance Manual for 6650 Floats on a Quest KODIAK 100	REVISION	1

47. 65-42400 NOSE GEAR ACTUATOR ASSEMBLY, 6650 AMPHIBIAN



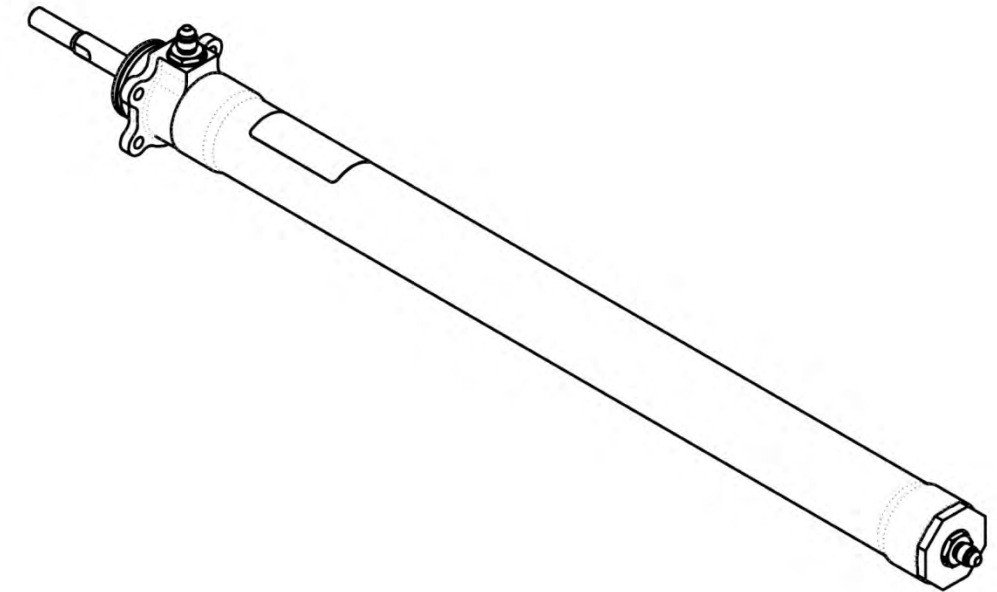
ISSUE DATE: 02/11/15		 Incorporated TITLE: ICA Maintenance Manual for 6650 Floats on a Quest KODIAK 100	PAGE: A65 of A100
REVISION DATE: 6/27/2017			FILE NO.: A-10038 Appendix A
			REVISION: 1




ISSUE DATE: 02/11/15		 Incorporated TITLE: ICA Maintenance Manual for 6650 Floats on a Quest KODIAK 100	PAGE	A66 of A100
REVISION DATE: 6/27/2017			FILE NO.	A-10038 Appendix A
			REVISION	1

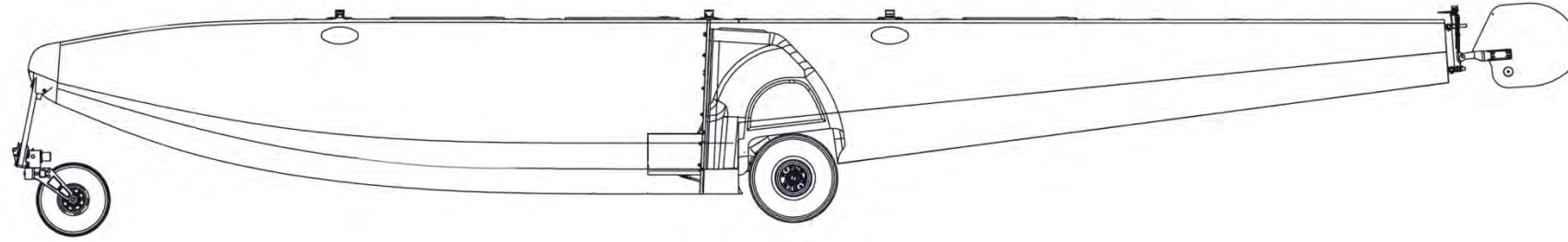
PARTS LIST FOR 65-42400 HYDRAULIC ACTUATOR ASSEMBLY, NOSE GEAR

ITEM NO.	QTY	TYPE	PART NUMBER	DESCRIPTION
1	1	PART	35A-45412	CAUTION PLACARD, HYDRAULIC ACTUATOR
2	1	PART	65-42401	ACTUATOR CYLINDER, NOSE GEAR
3	1	PART	65-42403	ACTUATOR PISTON, NOSE GEAR
4	1	PART	65-42404	ACTUATOR ROD, NOSE GEAR
5	1	PART	65-42405	ACTUATOR END CAP, NOSE GEAR
6	1	PART	65-42407	SPACER AND MAGNET KEEPER, NOSE GEAR ACTUATOR
7	1	PART	65-42408	CERAMIC MAGNET
8	1	PART	65-42415	ACTUATOR END CAP AND MOUNTING FLANGE, NOSE GEAR
9	1	HRDWR	4115B001TP019	T-SEAL, PISTON, PARKER P/N
10	1	HRDWR	4615 SHD 00500	WIPER RING, PARKER P/N, MOLYTHANE MATERIAL
11	2	HRDWR	AS5174D0404	UNION, FLARED TUBE (AN815-4D, OBS.)
12	1	HRDWR	M83461/1-111	ORING, NITRILE (ALT. USE MS28775-111)
13	2	HRDWR	M83461/1-125	ORING, NITRILE (ALT. USE MS28775-125)
14	2	HRDWR	M83461/1-127	ORING, NITRILE (ALT. USE MS28775-127)
15	1	HRDWR	M83461/1-129	ORING, NITRILE (ALT. USE MS28775-129)
16	1	HRDWR	M83461/1-206	O-RING
17	1	HRDWR	MS21042-6	NUT, SELF-LOCKING, REDUCED HEX
18	2	HRDWR	MS28778-4	O-RING, STRAIGHT THREAD TUBE FITTING BOSS
19	2	HRDWR	NAS1149F0763P	WASHER, FLAT

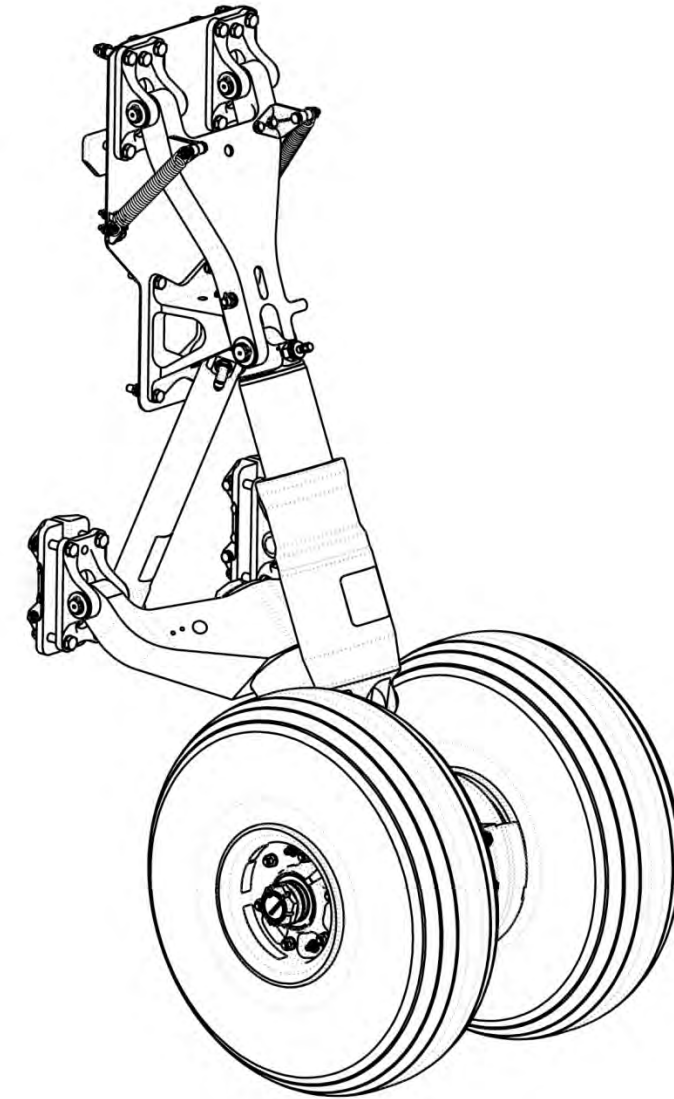


		 Incorporated TITLE: ICA Maintenance Manual for 6650 Floats on a Quest KODIAK 100	PAGE	A67 of A100
ISSUE DATE:	02/11/15		FILE NO.	A-10038 Appendix A
REVISION DATE:	6/27/2017		REVISION	1

48. 65-45000 MAIN GEAR ASSY & INST. 6650 AMPHIBIAN

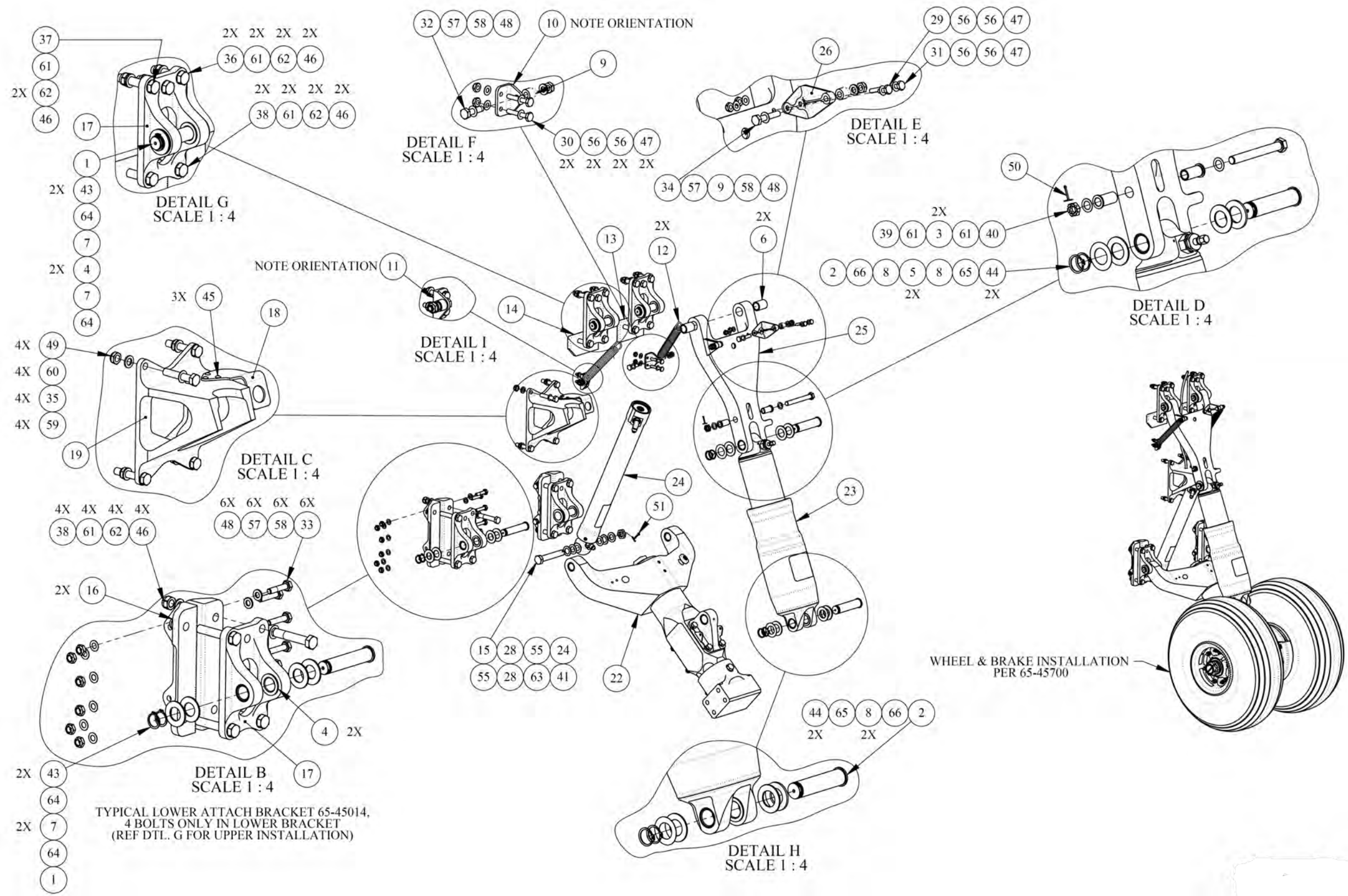


65-17000, 6650 AMPHIBIOUS FLOAT HULL, RHS
 (SHOWING 65-45000 MAIN GEAR LOCATION AND INSTALLATION)
 (MAIN GEAR ASSEMBLY IDENTICAL FOR L.H. & R.H. SIDES)




65-45000 MAIN GEAR, MODEL 6650 FLOATS
 (FLOAT HULL HIDDEN)

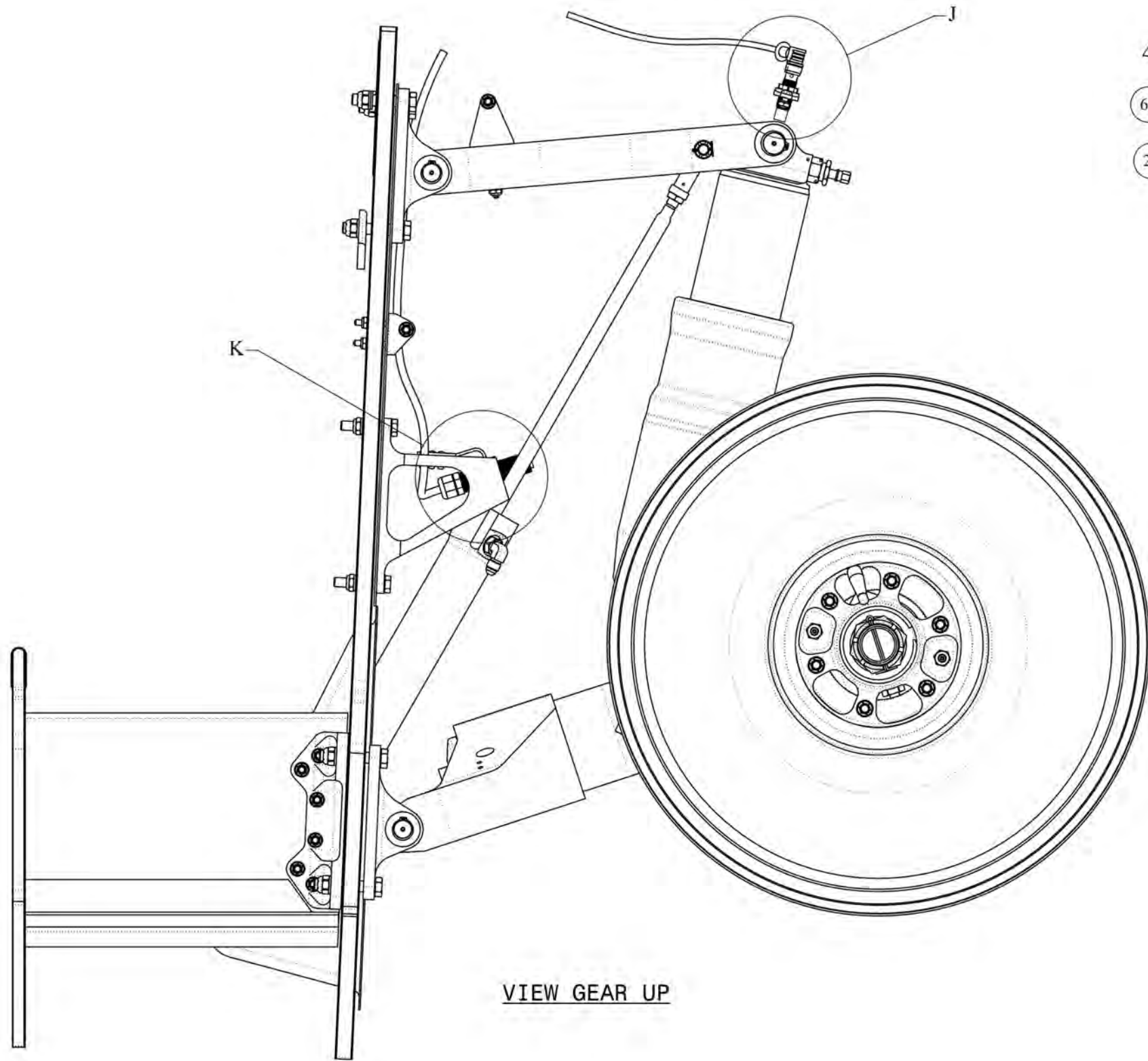
AEROCET		Incorporated	
ISSUE DATE:	02/11/15	TITLE:	ICA Maintenance Manual for 6650 Floats on a Quest KODIAK 100
REVISION DATE:	6/27/2017	PAGE:	A68 of A100
		FILE NO.:	A-10038 Appendix A
		REVISION:	1



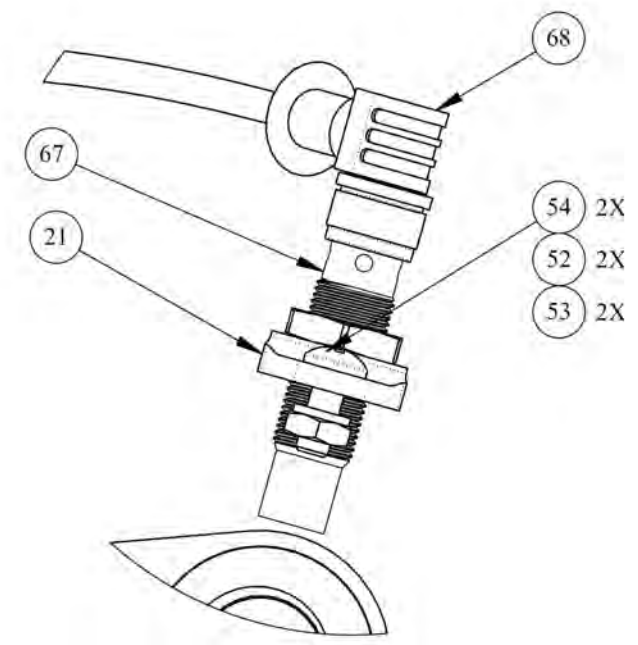
TYPICAL LOWER ATTACH BRACKET 65-45014,
4 BOLTS ONLY IN LOWER BRACKET
(REF DTL. G FOR UPPER INSTALLATION)

WHEEL & BRAKE INSTALLATION
PER 65-45700

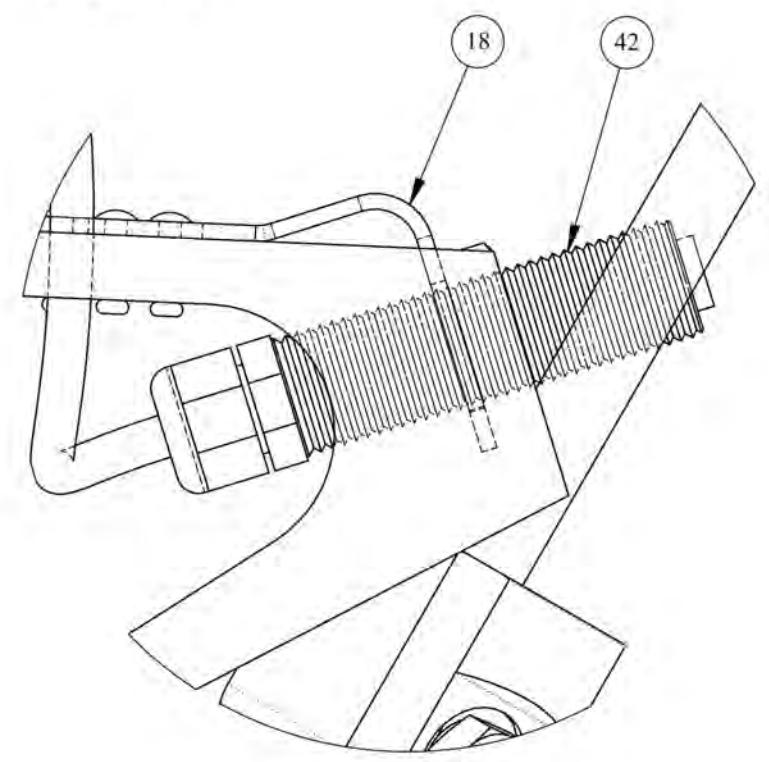
ISSUE DATE: 02/11/15		 Incorporated TITLE: ICA Maintenance Manual for 6650 Floats on a Quest KODIAK 100	PAGE: A69 of A100
REVISION DATE: 6/27/2017			FILE NO.: A-10038 Appendix A
			REVISION: 1




VIEW GEAR UP



DETAIL J
SCALE 1 : 1




DETAIL K
SCALE 1 : 1

ISSUE DATE: 02/11/15		 Incorporated TITLE: ICA Maintenance Manual for 6650 Floats on a Quest KODIAK 100	PAGE: A70 of A100
REVISION DATE: 6/27/2017			FILE NO.: A-10038 Appendix A
			REVISION: 1

PARTS LIST FOR 65-45000 MAIN GEAR ASSEMBLY				
ITEM NO.	QTY.	TYPE	PART NUMBER	DESCRIPTION
1	4	PART	35-80002-9P89	PIN, STRAIGHT, HEADED, GROOVED SHANK
2	2	PART	35-80002-10P91	PIN, STRAIGHT, HEADED, GROOVED SHANK
3	2	PART	35-80006A6-100P	FLANGED BUSHING
4	8	PART	35-80006A10-060P	FLANGED BUSHING
5	2	PART	35-80006A12-071P	FLANGED BUSHING
6	2	PART	35-80007A10-111P	BUSHING
7	8	PART	35-80008-625	WASHER, PLASTIC
8	4	PART	35-80008-750	WASHER, PLASTIC
9	4	PART	35A-45035	SPRING BUSHING
10	1	PART	35A-45036	LOWER SPRING BRACKET, RHS
11	1	PART	35A-45037	LOWER SPRING BRACKET, LHS
12	2	PART	35A-45095	EXTENSION SPRING
13	1	PART	65-35036	REINFORCEMENT, UPPER ATTACH BRACKET
14	1	PART	65-35037-R	REINFORCEMENT, RIGHT, UPPER ATTACH BRACKET
15	1	PART	65-45010	RETAINER, MAIN GEAR ACTUATOR, LOWER
16	4	PART	65-45012	REINFORCEMENT BRACKET, MAIN GEAR
17	4	PART	65-45014	ATTACH BRACKET, BULKHEAD
18	1	PART	65-45015	BRACKET, SENSOR ATTACH, MAIN GEAR
19	1	PART	65-45021	STOP BRACKET
20	1	PART	65-45033	BULKHEAD REINFORCEMENT, MAIN GEAR
21	1	PART	65-45051	SENSOR MOUNT, THREADED
22	1	ASSY	65-45100	MAIN GEAR ASSEMBLY, LOWER
23	1	ASSY	65-45200	SHOCK STRUT (OLEO) ASSEMBLY
24	1	ASSY	65-45300	HYDRAULIC ACTUATOR, MAIN GEAR
25	1	PART	65-45325	DRAG LINK, MAIN GEAR
26	2	PART	65-45326	BRACKET, SPRING, UPPER
27	1	ASSY	65-45700	MAIN WHEEL CONFIGURATION ASSEMBLY
28	2	HRDWR	600-0101-1/2	STAT-O-SEAL WASHER SEAL
29	2	HRDWR	AN3-4A	BOLT - MACHINE, AIRCRAFT
30	4	HRDWR	AN3-12A	BOLT - MACHINE, AIRCRAFT
31	2	HRDWR	AN3-17A	BOLT - MACHINE, AIRCRAFT
32	2	HRDWR	AN4-10A	BOLT - MACHINE, AIRCRAFT
33	12	HRDWR	AN4-11A	BOLT - MACHINE, AIRCRAFT
34	2	HRDWR	AN4-13A	BOLT - MACHINE, AIRCRAFT
35	4	HRDWR	AN5-15A	BOLT - MACHINE, AIRCRAFT
36	4	HRDWR	AN6-15A	BOLT - MACHINE, AIRCRAFT
37	2	HRDWR	AN6-17A	BOLT - MACHINE, AIRCRAFT
38	12	HRDWR	AN6-20A	BOLT - MACHINE, AIRCRAFT
39	1	HRDWR	AN6-31	BOLT - MACHINE, AIRCRAFT
40	1	HRDWR	AN320-6	NUT, PLAIN, CASTELLATED, SHEAR

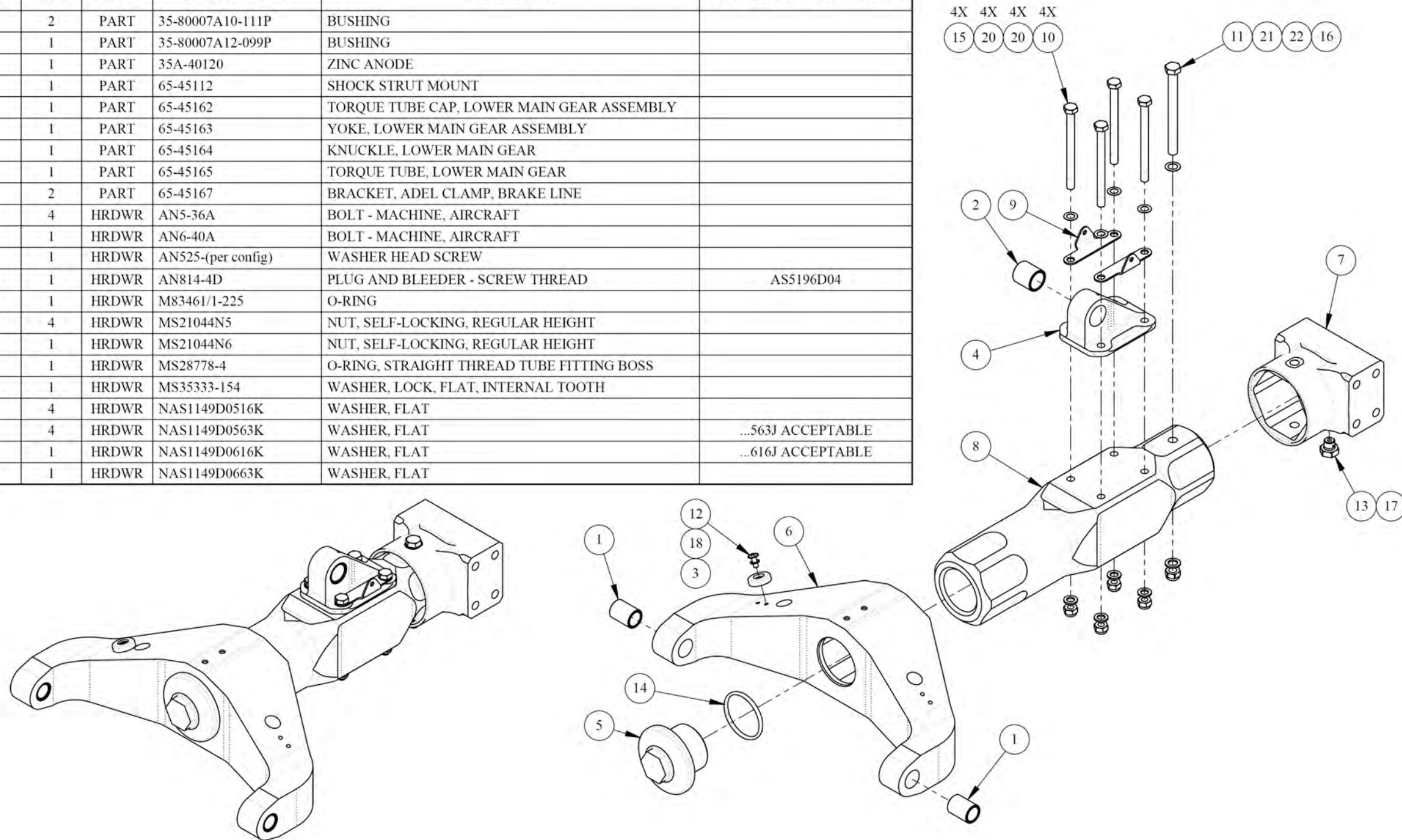
PARTS LIST FOR 65-45000 MAIN GEAR ASSEMBLY				
ITEM NO.	QTY.	TYPE	PART NUMBER	DESCRIPTION
41	1	HRDWR	AN320-8	NUT, CASTELLATED
42	1	HRDWR	Bi 5-P18-AN6/S139-S1261	SUBMERSIBLE SENSOR (TURCK) REF
43	8	HRDWR	MS16624-4062	RETAINING RING, EXTERNAL
44	4	HRDWR	MS16624-4075	RETAINING RING, EXTERNAL
45	3	HRDWR	MS20470AD4-10	RIVET, SOLID, UNIVERSAL HEAD (LENGTH A/R)
46	18	HRDWR	MS21044N6	NUT, SELF-LOCKING, REGULAR HEIGHT
47	8	HRDWR	MS21083N3	NUT, SELF-LOCKING, LOW-HEIGHT
48	16	HRDWR	MS21083N4	NUT, SELF-LOCKING, LOW HEIGHT
49	4	HRDWR	MS21083N5	NUT, SELF-LOCKING, LOW HEIGHT
50	1	HRDWR	MS24665-153	COTTER PIN *
51	1	HRDWR	MS24665-304	COTTER PIN
52	2	HRDWR	MS35338-138	SPLIT LOCK WASHER, STAINLESS
53	2	HRDWR	MS35649-204	LIGHT HEX NUT, STAINLESS, (10-24 UNC-2B THREAD)
54	2	HRDWR	MS51957-63	MACHINE SCREW
55	2	HRDWR	NAS1149C0832R	WASHER, FLAT, STAINLESS
56	16	HRDWR	NAS1149D0316K	WASHER, FLAT
57	16	HRDWR	NAS1149D0416K	WASHER, FLAT
58	16	HRDWR	NAS1149D0463K	WASHER, FLAT
59	4	HRDWR	NAS1149D0516K	WASHER, FLAT
60	4	HRDWR	NAS1149D0563K	WASHER, FLAT
61	20	HRDWR	NAS1149D0616K	WASHER, FLAT
62	20	HRDWR	NAS1149D0663K	WASHER, FLAT
63	1	HRDWR	NAS1149D0863K	WASHER, FLAT
64	8	HRDWR	NAS1149D1063K	WASHER, FLAT
65	2	HRDWR	NAS1149D1216K	WASHER, FLAT
66	2	HRDWR	NAS1149D1290K	WASHER, FLAT
67	1	HRDWR	Ni 8U-EM12-AN6X-H1141	INDUCTIVE SENSOR, TURCK P/N REF
68	1	HRDWR	WK - 4T	CABLE SET ASSEMBLY (TURCK) REF


REFER TO DRAWING NO. 65-46010 FOR ELECTRICAL ITEMS LISTED AS "REF"
 * FOR MS24665-153, ACCEPTABLE ALTERNATE IS MS24665-229.

ISSUE DATE: 02/11/15		 Incorporated TITLE: ICA Maintenance Manual for 6650 Floats on a Quest KODIAK 100	PAGE: A71 of A100
REVISION DATE: 6/27/2017			FILE NO.: A-10038 Appendix A
			REVISION: 1

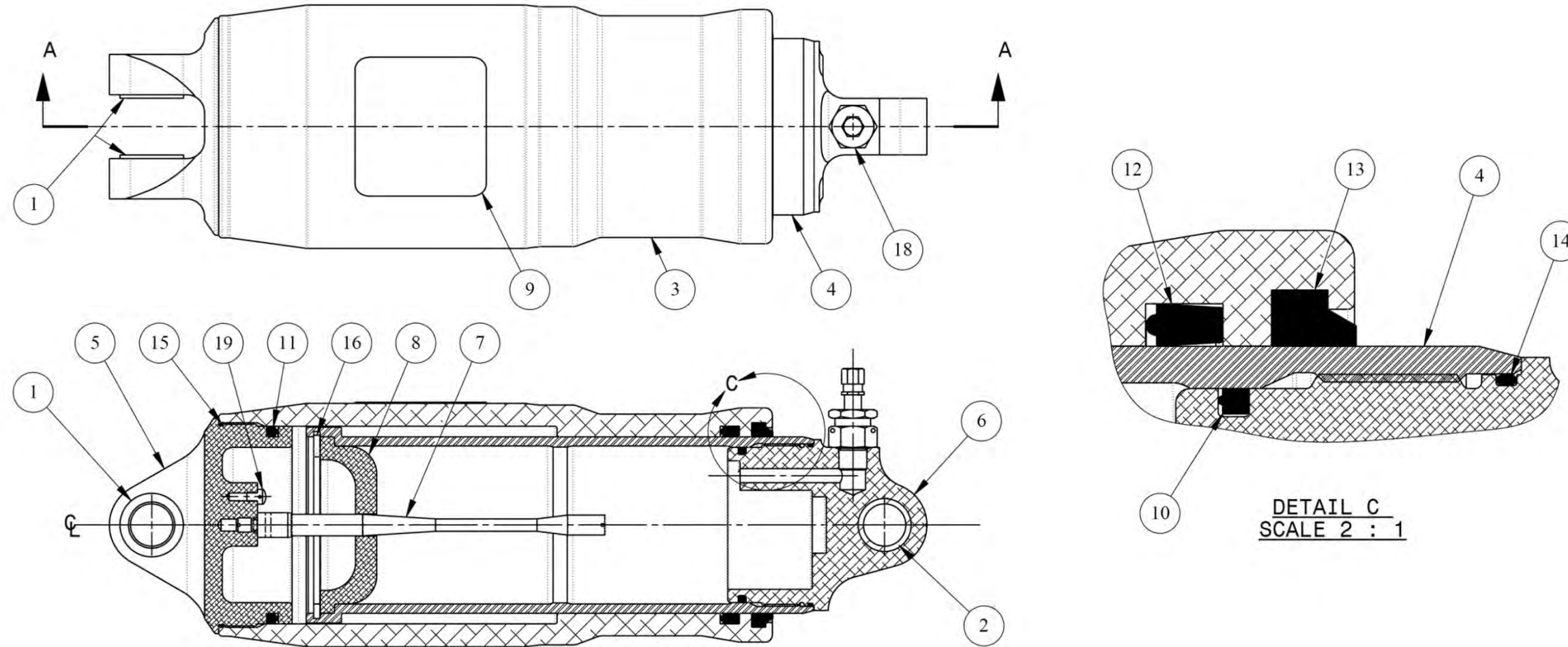
49. 65-45100 LOWER MAIN GEAR ASSY, 6650 AMPHIBIAN

PARTS LIST FOR 65-45100 MAIN GEAR ASSEMBLY, LOWER					
ITEM NO.	QTY	TYPE	PART NUMBER	DESCRIPTION	ALTERNATES/COMMENTS
1	2	PART	35-80007A10-111P	BUSHING	
2	1	PART	35-80007A12-099P	BUSHING	
3	1	PART	35A-40120	ZINC ANODE	
4	1	PART	65-45112	SHOCK STRUT MOUNT	
5	1	PART	65-45162	TORQUE TUBE CAP, LOWER MAIN GEAR ASSEMBLY	
6	1	PART	65-45163	YOKE, LOWER MAIN GEAR ASSEMBLY	
7	1	PART	65-45164	KNUCKLE, LOWER MAIN GEAR	
8	1	PART	65-45165	TORQUE TUBE, LOWER MAIN GEAR	
9	2	PART	65-45167	BRACKET, ADEL CLAMP, BRAKE LINE	
10	4	HRDWR	AN5-36A	BOLT - MACHINE, AIRCRAFT	
11	1	HRDWR	AN6-40A	BOLT - MACHINE, AIRCRAFT	
12	1	HRDWR	AN525-(per config)	WASHER HEAD SCREW	
13	1	HRDWR	AN814-4D	PLUG AND BLEEDER - SCREW THREAD	AS5196D04
14	1	HRDWR	M83461/1-225	O-RING	
15	4	HRDWR	MS21044N5	NUT, SELF-LOCKING, REGULAR HEIGHT	
16	1	HRDWR	MS21044N6	NUT, SELF-LOCKING, REGULAR HEIGHT	
17	1	HRDWR	MS28778-4	O-RING, STRAIGHT THREAD TUBE FITTING BOSS	
18	1	HRDWR	MS35333-154	WASHER, LOCK, FLAT, INTERNAL TOOTH	
19	4	HRDWR	NAS1149D0516K	WASHER, FLAT	
20	4	HRDWR	NAS1149D0563K	WASHER, FLAT	...563J ACCEPTABLE
21	1	HRDWR	NAS1149D0616K	WASHER, FLAT	...616J ACCEPTABLE
22	1	HRDWR	NAS1149D0663K	WASHER, FLAT	



ISSUE DATE: 02/11/15		 Incorporated TITLE: ICA Maintenance Manual for 6650 Floats on a Quest KODIAK 100	PAGE: A72 of A100
REVISION DATE: 6/27/2017			FILE NO.: A-10038 Appendix A
			REVISION: 1

50. 65-45200 OLEO ASSEMBLY, 6650 AMPHIBIAN




SECTION A-A
SCALE 1 : 2

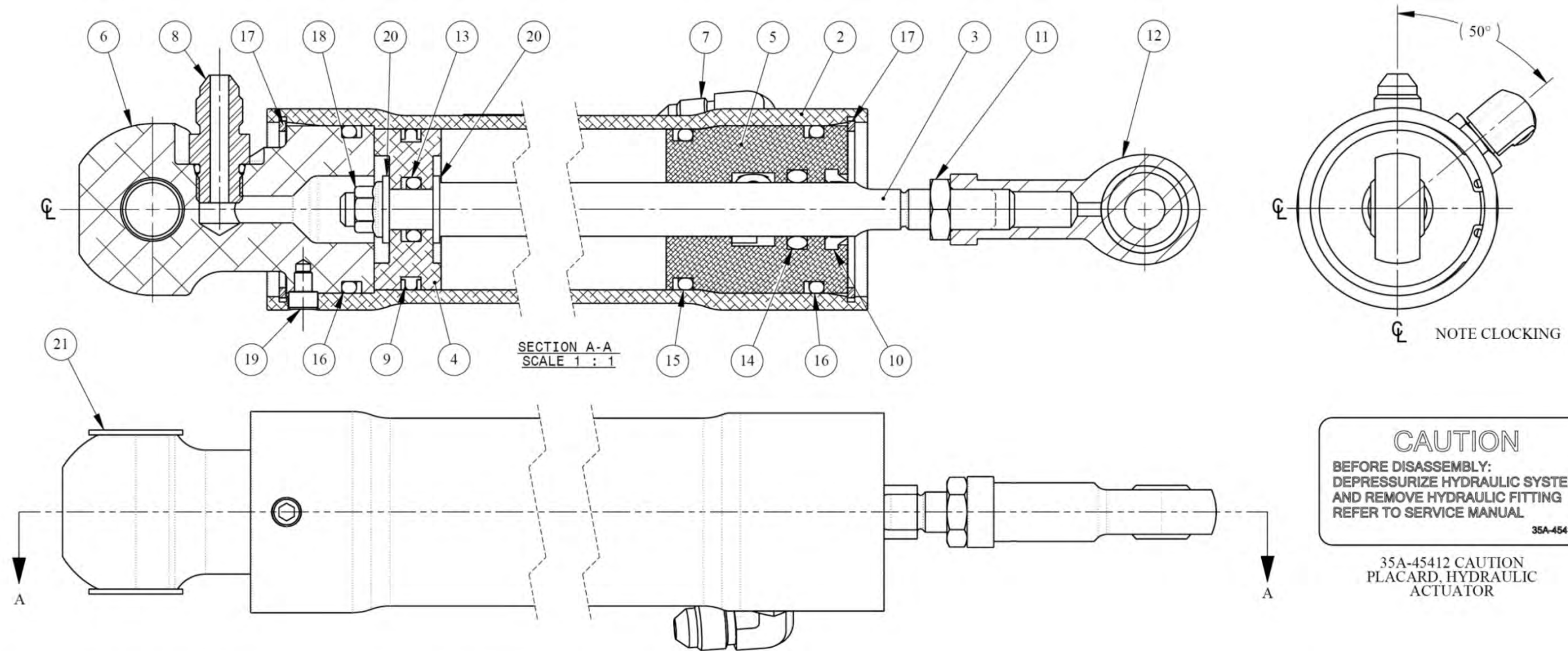
DETAIL C
SCALE 2 : 1

ITEM NO.	QTY	TYPE	PART NUMBER	DESCRIPTION
1	2	PART	35-80006A12-071P	FLANGED BUSHING
2	1	PART	35-80007A12-099P	BUSHING
3	1	PART	65-45201	CYLINDER, SHOCK STRUT (OLEO), MAIN GEAR
4	1	PART	65-45202	CHROME SLEEVE, SHOCK STRUT (OLEO)
5	1	PART	65-45221	BOTTOM CAP, SHOCK STRUT (OLEO)
6	1	PART	65-45231	TOP CAP, OLEO, MAIN GEAR
7	1	PART	65-45241	METERING PIN, SHOCK STRUT (OLEO), MAIN GEAR
8	1	PART	65-45242	METERING INSERT, SHOCK STRUT (OLEO) ASSEMBLY
9	1	PART	65-45250	OLEO PLACARD, MODEL 6650 FLOAT
10	1	HRDWR	4615-12502500	SEAL, POLYPAK

ITEM NO.	QTY	TYPE	PART NUMBER	DESCRIPTION
11	1	HRDWR	4615-18703125	SEAL, POLYPAK
12	1	HRDWR	4615-18703125-312B	POLYPAK SEAL, TYPE B
13	1	HRDWR	4615-SHD-03125	ROD WIPER
14	1	HRDWR	M83461/1-039	O-RING
15	1	HRDWR	M83461/1-043	O-RING
16	1	HRDWR	MS16625-3312	RING, RETAINING, INTERNAL
17	1	BULK	MS20995C20	SAFETY WIRE, Ø.020, STAINLESS
18	1	HRDWR	MS28889-2	HIGH PRESSURE CHARGING VALVE
19	1	HRDWR	MS35275-240	MACHINE SCREW, DRILLED PHILLISTER HEAD


ISSUE DATE: 02/11/15		 Incorporated TITLE: ICA Maintenance Manual for 6650 Floats on a Quest KODIAK 100	PAGE: A73 of A100
REVISION DATE: 6/27/2017			FILE NO.: A-10038 Appendix A
			REVISION: 1

51. 65-45300 MAIN GEAR ACTUATOR ASSY, 6650 AMPHIBIAN

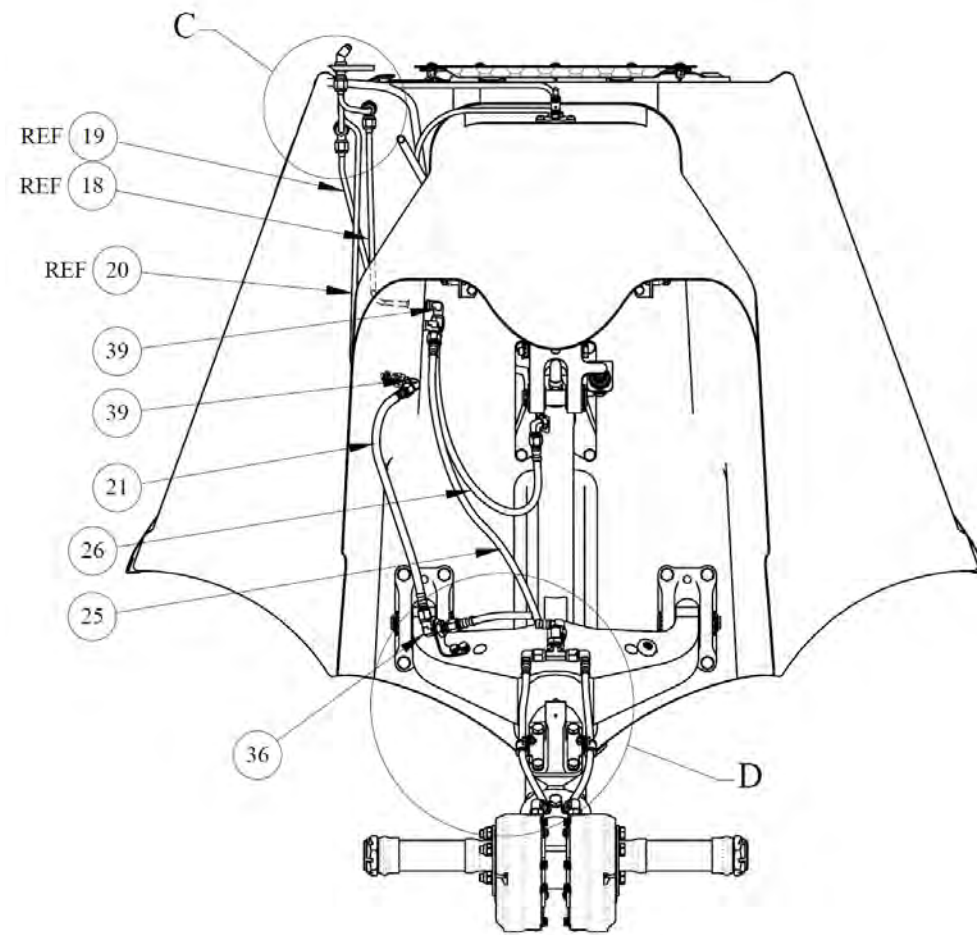
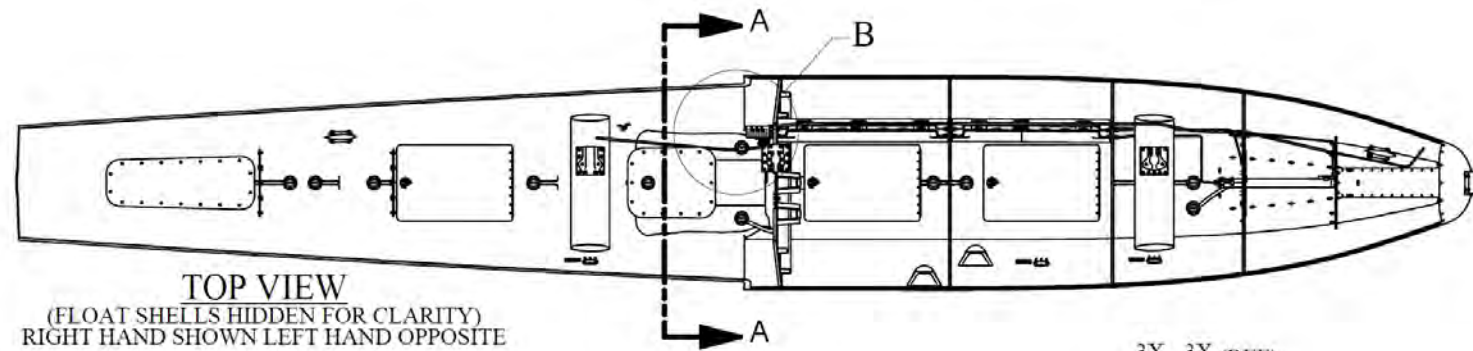


ITEM NO.	QTY	TYPE	PART NUMBER	DESCRIPTION
1	1	PART	35A-45412	CAUTION PLACARD, HYDRAULIC ACTUATOR
2	1	PART	65-45301	CYLINDER, ACTUATOR, MAIN GEAR
3	1	PART	65-45302	ROD, ACTUATOR, MAIN GEAR
4	1	PART	65-45303	PISTON, ACTUATOR, MAIN GEAR
5	1	PART	65-45304	CAP, TOP, ACTUATOR, MAIN GEAR
6	1	PART	65-45305	CAP, BOTTOM, ACTUATOR, MAIN GEAR
7	1	PART	66-47152	SAE STRAIGHT THREAD ELBOW
8	1	PART	66-47168	STRAIGHT THREAD CONNECTOR
9	1	HRDWR	4115-B001-TP0-19	SEAL, TP PROFILE, PARKER PN
10	1	HRDWR	4615-SHD-00500	WIPER RING, PARKER P/N, MOLYTHANE MATERIAL
11	1	HRDWR	AN316C6R	JAM NUT

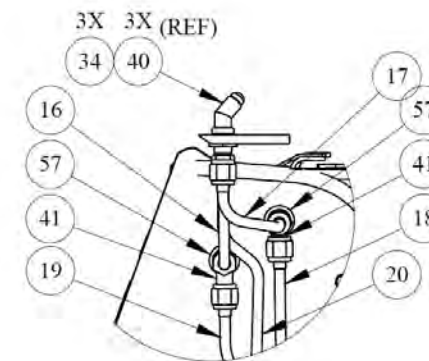
ITEM NO.	QTY	TYPE	PART NUMBER	DESCRIPTION
12	1	HRDWR	M81935/2-06	FEMALE ROD END
13	1	HRDWR	M83461/1-204	O-RING
14	1	HRDWR	M83461/1-206	O-RING
15	1	HRDWR	M83461/1-218	O-RING (ALT. USE MS28775-218)
16	2	HRDWR	M83461/1-219	O-RING (ALT. USE MS28775-219)
17	2	HRDWR	MS16627-1162	INTERNAL SNAP RING
18	1	HRDWR	MS21042-5	NUT, SELF-LOCKING
19	3	HRDWR	MS21262-3	SCREW, SELF-LOCKING, INTERNAL WRENCHING
20	2	HRDWR	NAS1149F0663P	WASHER, FLAT
21	2	HRDWR	TFI-0809-12	PLAIN BEARING, FLANGED (iglide P/N)

ISSUE DATE: 02/11/15		 Incorporated TITLE: ICA Maintenance Manual for 6650 Floats on a Quest KODIAK 100	PAGE: A74 of A100
REVISION DATE: 6/27/2017			FILE NO.: A-10038 Appendix A
			REVISION: 1

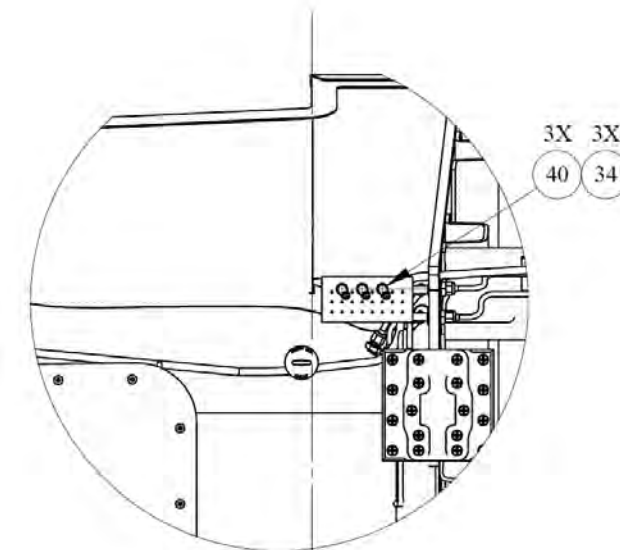
52. 65-47000 BRAKE, HYD. & ELEC. INST. 6650 AMPHIBIAN



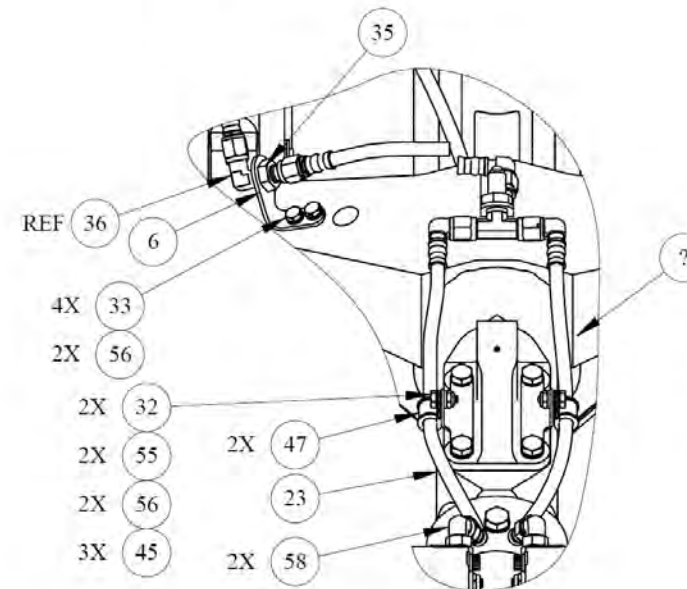
SECTION A-A
SCALE 1 : 8




DETAIL C
SCALE 1 : 4

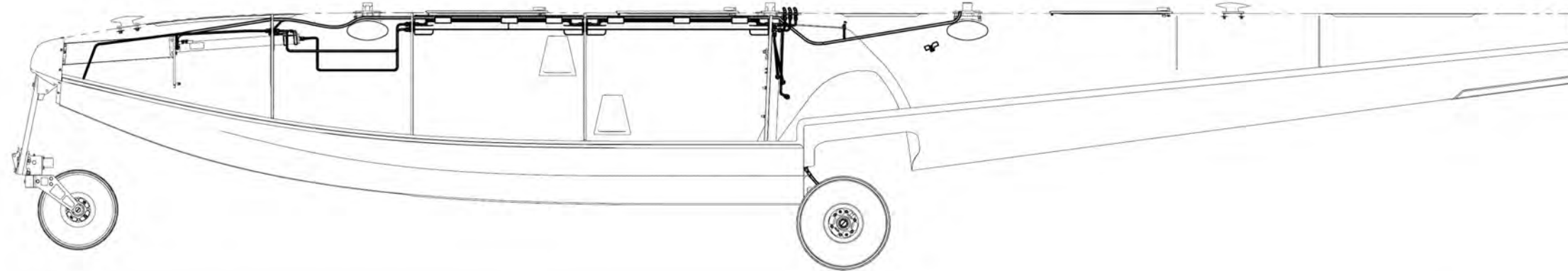


DETAIL B
SCALE 1 : 8




DETAIL D
SCALE 1 : 4

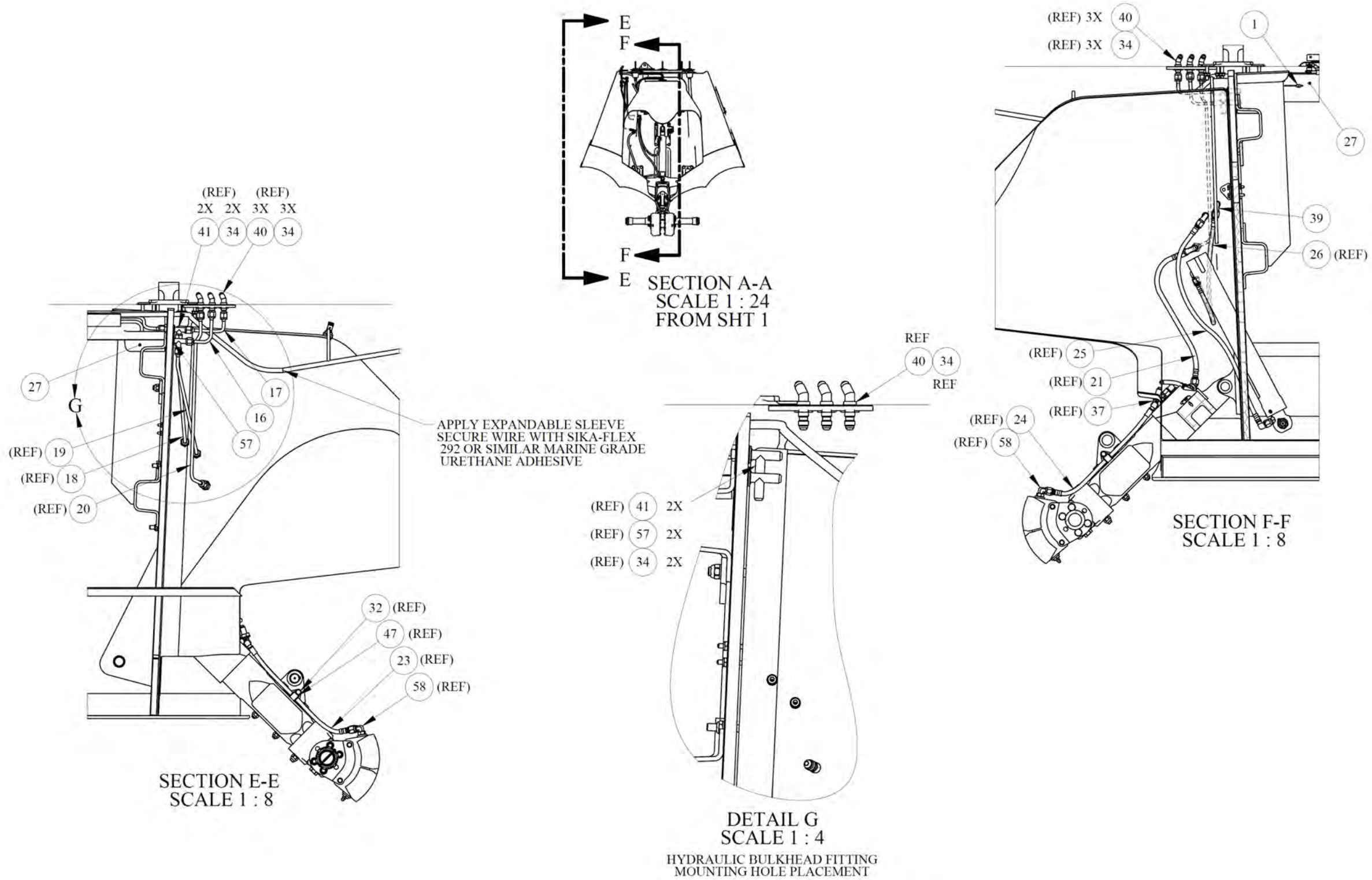
ISSUE DATE: 02/11/15		 Incorporated TITLE: ICA Maintenance Manual for 6650 Floats on a Quest KODIAK 100	PAGE: A75 of A100
REVISION DATE: 6/27/2017			FILE NO.: A-10038 Appendix A
			REVISION: 1



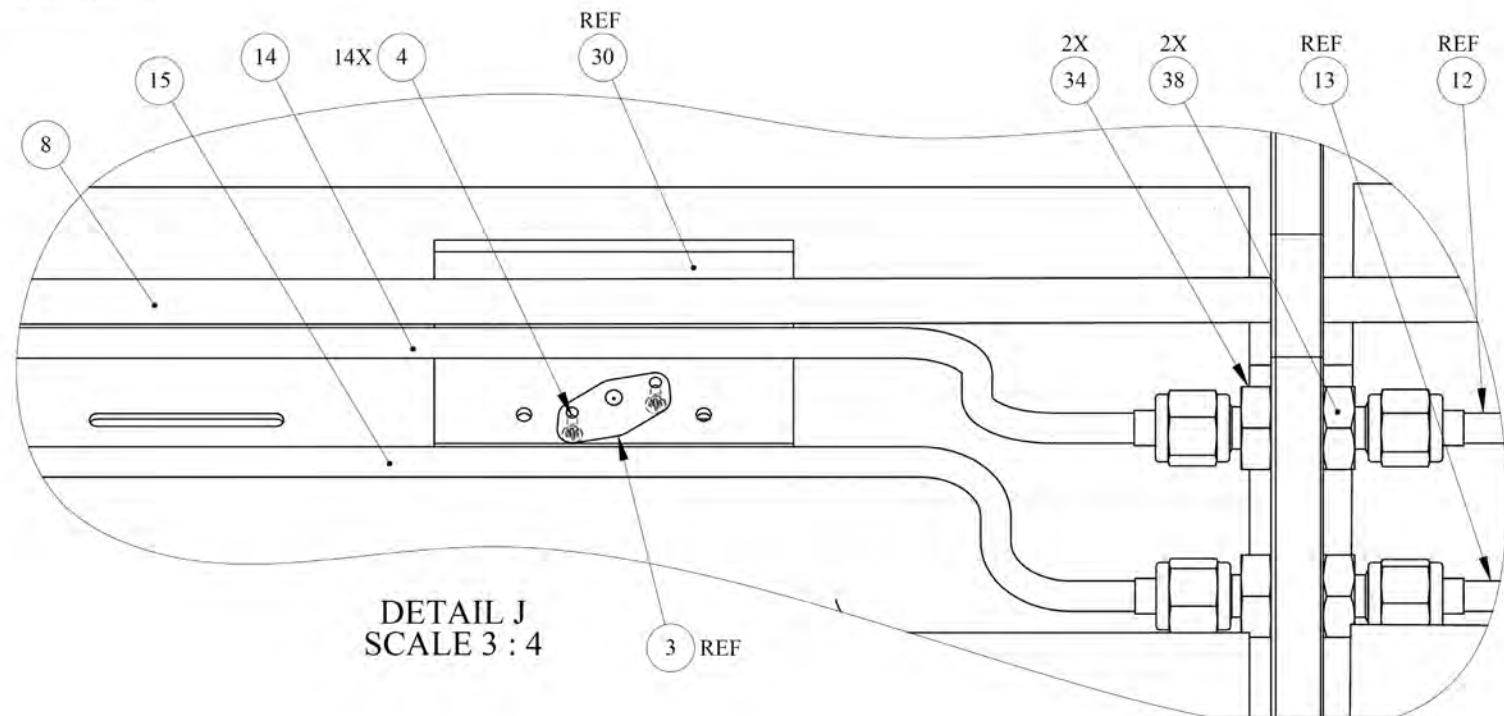
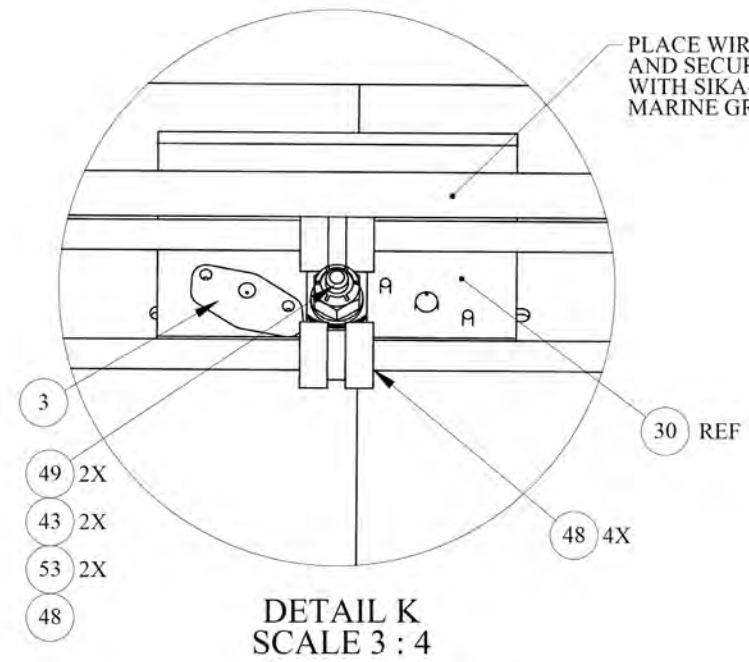
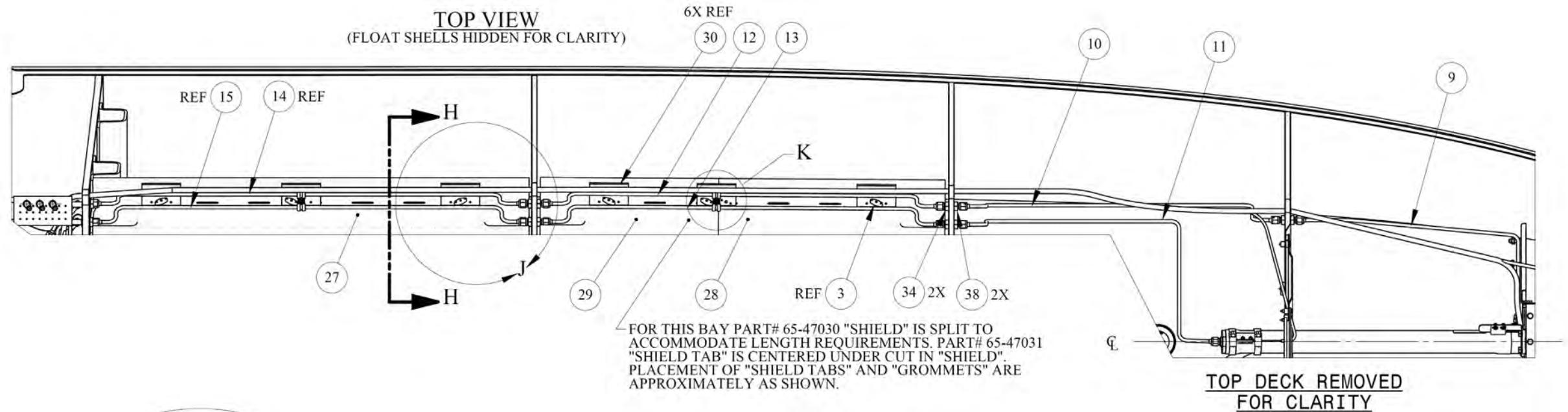
ITEM NO.	QTY	TYPE	PART NUMBER	DESCRIPTION
1	7	HRDWR	10R X 1/2 TAS	TRUSS HEAD SCREW, STAINLESS
2	1	PART	35-41056	TUBING GUIDE, CARBON FIBER
3	7	PART	35-80047	NUTPLATE, FOR USE WITH #10 SHEET METAL SCREWS
4	14	PART	35-80048-04-0375	SHEET METAL SCREW, UNDERCUT FLAT HEAD, TYPE A OR AB, STAINLESS
5	1	PART	65-42032	POSITION SENSOR ATTACHMENT BRACKET, NOSE GEAR RETARCT
6	1	PART	65-45166-R	BRACKET, BULKHEAD FITTING, BRAKE LINE
7	1	PART	65-45168	BRACKET, BULKHEAD FITTING, BRAKE LINE
8	1	ASSY	65-46010	FLOAT WIRING SCHEMATIC QUEST KODIAK AIRCRAFT
9	1	ASSY	65-47011-R	TUBE, HYDRAULIC, GEAR, RETRACT, LINE 1
10	1	ASSY	65-47012-R	TUBE, HYDRAULIC, GEAR, RETRACT, LINE 2
11	1	ASSY	65-47013-R	TUBE, HYDRAULIC, GEAR, DEPLOY, LINE 1
12	1	ASSY	65-47014	TUBE, HYDRAULIC, GEAR, RETRACT, LINE 3
13	1	ASSY	65-47015	TUBE, HYDRAULIC, GEAR, DEPLOY, LINE 2
14	1	ASSY	65-47016-R	TUBE, HYDRAULIC, GEAR, RETRACT, LINE 4
15	1	ASSY	65-47017-R	TUBE, HYDRAULIC, GEAR, DEPLOY, LINE 3
16	1	ASSY	65-47018-R	TUBE, HYDRAULIC, GEAR, RETRACT LINE 5
17	1	ASSY	65-47019-R	TUBE, HYDRAULIC, GEAR, DEPLOY, LINE 4
18	1	ASSY	65-47021-R	TUBE, HYDRAULIC, GEAR, DEPLOY, LINE 5
19	1	ASSY	65-47022-R	TUBE, HYDRAULIC, GEAR, RETRACT, LINE 6
20	1	ASSY	65-47023-R	TUBE, HYDRAULIC, BRAKE, LINE 1
21	1	ASSY	65-47024	TUBE, HYDRAULIC, BRAKE, FLEXIBLE, LINE 1
22	1	ASSY	65-47025	TUBE, HYDRAULIC, BRAKE, FLEXIBLE, LINE 2
23	1	ASSY	65-47026	TUBE, HYDRAULIC, BRAKE, FLEXIBLE, LINE 3
24	1	ASSY	65-47026	TUBE, HYDRAULIC, BRAKE, FLEXIBLE, LINE 3
25	1	ASSY	65-47027	TUBE, HYDRAULIC, BRAKE, FLEXIBLE, LINE 2
26	1	ASSY	65-47028	TUBE, HYDRAULIC, BRAKE, FLEXIBLE, LINE 2
27	1	PART	65-47030	LOCKER BAY, HYDRAULIC LINE, SHIELD
28	1	PART	65-47030	LOCKER BAY, HYDRAULIC LINE, SHIELD
29	1	PART	65-47030	LOCKER BAY, HYDRAULIC LINE, SHIELD
30	6	PART	65-47031	LOCKER BAY, HYDRAULIC LINE, SHIELD TAB


ITEM NO.	QTY	TYPE	PART NUMBER	DESCRIPTION
31	2	HRDWR	59135-020	POSITION SENSOR
32	3	HRDWR	AN3-4A	BOLT - MACHINE, AIRCRAFT
33	4	HRDWR	AN3H3A	BOLT - MACHINE, AIRCRAFT
34	13	HRDWR	AN924-4D	NUT, TUBE, BULKHEAD AND UNIVERSAL FITTING
35	2	HRDWR	AN924-4J	NUT, TUBE, BULKHEAD AND UNIVERSAL FITTING
36	1	HRDWR	AS1038J0404	ELBOW, FLARED TUBE, BULKHEAD AND UNIVERSAL, 90°, STAINLESS (AN833-4J OBS.)
37	1	HRDWR	AS1039J040404	TEE, BULKHEAD AND UNIVERSAL FLARED TUBE (AN834-4J OBS.)
38	5	HRDWR	AS5406D04	UNION, FLARED TUBE, BULKHEAD AND UNIVERSAL (AN832-4D, OBS.)
39	3	HRDWR	AS1038D0404	ELBOW, FLARED TUBE, BULKHEAD AND UNIVERSAL, 90° (AN833-4D OBS.)
40	3	HRDWR	AS1040D0404	ELBOW, FLARED TUBE, BULKHEAD AND UNIVERSAL, 45° (AN837-4D, OBS.)
41	2	HRDWR	AS1033D040404	TEE, FLARED TUBE WITH BULKHEAD ON RUN
42	1	HRDWR	FRNO.25TB	EXPANDABLE SLEEVING, Ø1/4", BLACK W/WHITE TRACER
43	2	HRDWR	MS21044C3	NUT, SELF-LOCKING, REGULAR HEIGHT, STAINLESS
44	4	HRDWR	MS21044C04	NUT, SELF-LOCKING, STAINLESS
45	3	HRDWR	MS21083N3	NUT, SELF-LOCKING, LOW-HEIGHT
46	1	HRDWR	MS21919WDG3	WEDGE CLAMP
47	2	HRDWR	MS21919WDG4	WEDGE CLAMP
48	4	HRDWR	MS21919WDG4	WEDGE CLAMP
49	2	HRDWR	MS24694C52	MACHINE SCREW, FLAT COUNTERSUNK HEAD, 100°
50	2	HRDWR	MS35842-13	CLAMP, HOSE, LOW PRESSURE, TYPE "F"
51	4	HRDWR	MS51957-16	MACHINE SCREW
52	2	HRDWR	NAS1149C0332R	WASHER, FLAT, STAINLESS
53	2	HRDWR	NAS1149C0363R	WASHER, FLAT, STAINLESS
54	8	HRDWR	NAS1149CN432R	WASHER, FLAT, STAINLESS
55	2	HRDWR	NAS1149D0316K	WASHER, FLAT
56	6	HRDWR	NAS1149D0363K	WASHER, FLAT
57	2	HRDWR	NAS1149D0763K	WASHER, FLAT
58	2	HRDWR	SAE 070220-4-4	90° STRAIGHT THREAD ELBOW CONNECTOR

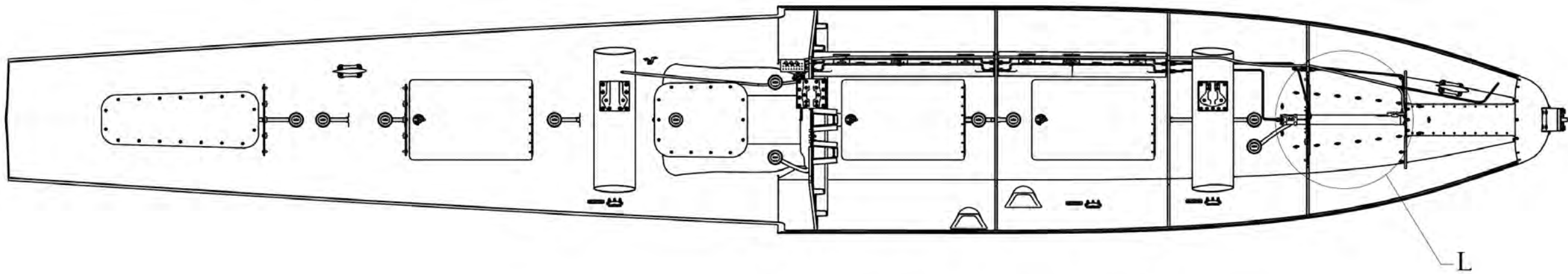
ISSUE DATE: 02/11/15		 Incorporated TITLE: ICA Maintenance Manual for 6650 Floats on a Quest KODIAK 100	PAGE: A76 of A100
REVISION DATE: 6/27/2017			FILE NO.: A-10038 Appendix A
			REVISION: 1



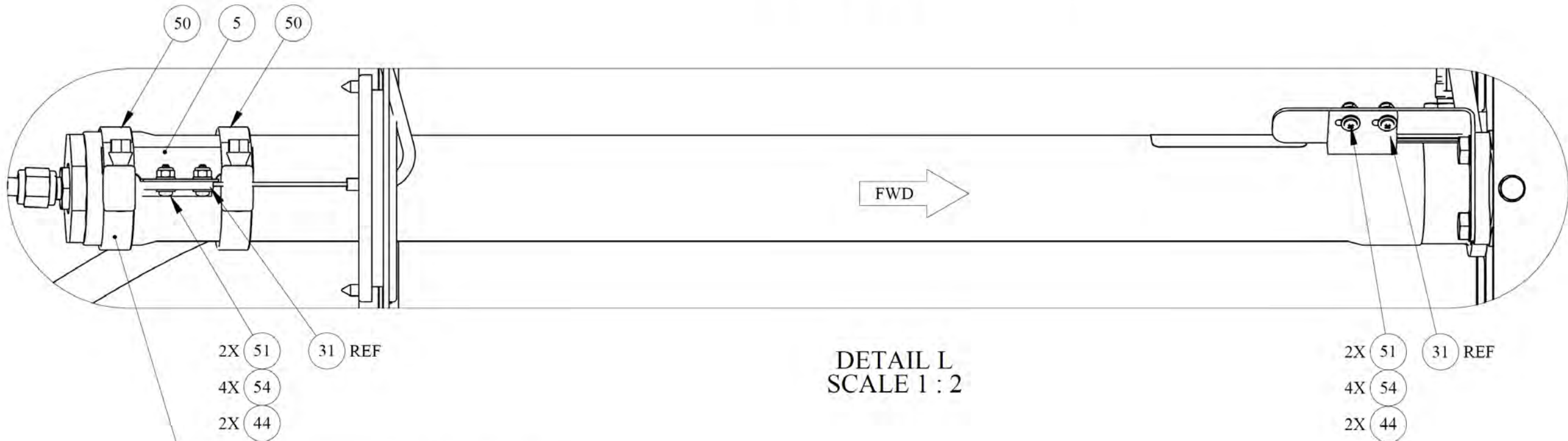
AEROCET Incorporated		PAGE	A77 of A100
		FILE NO.	A-10038 Appendix A
ISSUE DATE:	02/11/15	TITLE:	ICA Maintenance Manual for 6650 Floats on a Quest KODIAK 100
REVISION DATE:	6/27/2017	REVISION	1



ISSUE DATE: 02/11/15		 Incorporated TITLE: ICA Maintenance Manual for 6650 Floats on a Quest KODIAK 100	PAGE: A78 of A100
REVISION DATE: 6/27/2017			FILE NO.: A-10038 Appendix A
			REVISION: 1




NOSE GEAR DEPLOY AND
RETRACT SENSOR DETAILS

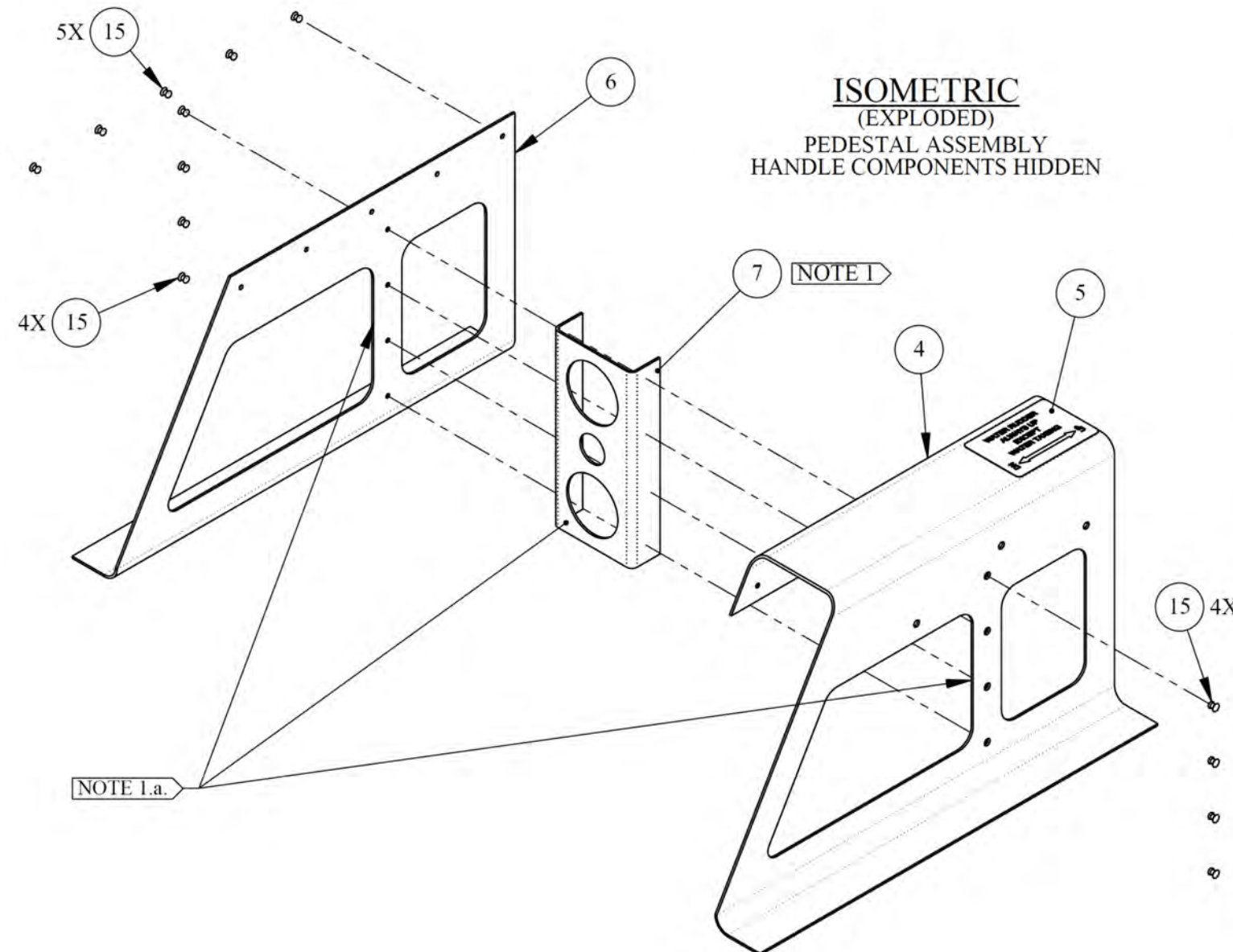


DETAIL L
SCALE 1 : 2

PLACE ANTI-CHAFE TAPE, VINYL TAPE OR
NEOPRENE BENEATH CLAMPS. A SPACER
OR TAPE BUILD UP MAY BE NECESSARY
AT THE SMALLER DIAMETER OF ACTUATOR.

ISSUE DATE: 02/11/15		 Incorporated TITLE: ICA Maintenance Manual for 6650 Floats on a Quest KODIAK 100	PAGE: A79 of A100
REVISION DATE: 6/27/2017			FILE NO.: A-10038 Appendix A
			REVISION: 1

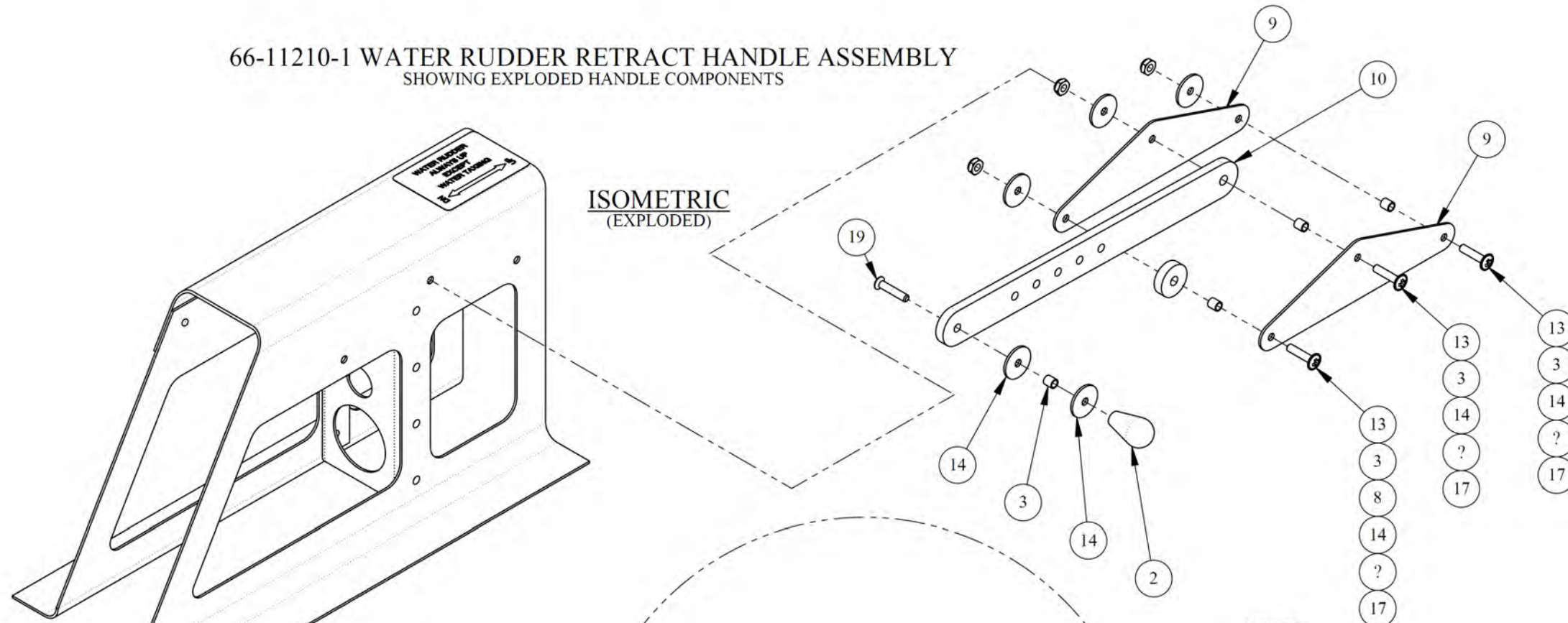
54. 66-11210 WATER RUDDER RETRACT PEDESTAL, 6750 SEAPLANE



PARTS LIST FOR 66-11210 WATER RUDDER RETRACT ASSEMBLY				
ITEM NO.	66-11210-2 QTY	66-11210-1 QTY	PART NUMBER	DESCRIPTION
1	1	-	35-34030	PULLEY
2	1	1	35-34058	RETRACT KNOB
3	3	4	35-34059	WATER RUDDER HANDLE SPACER
4	1	1	66-11201	MOUNT, LHS, W/R RETRACT PEDESTAL, AEROCET MODEL 6750 FLOATS, KODIAK AIRCRAFT
5	1	1	66-11202	PLACARD, WATER RUDDER IDENTIFICATION
6	1	1	66-11203	MOUNT, RHS, W/R RETRACT PEDESTAL, AEROCET MODEL 6750 FLOATS, KODIAK AIRCRAFT
7	1	1	66-11204	MOUNT, RIB, W/R RETRACT HANDLE PEDESTAL, AEROCET MODEL 6750 FLOATS, KODIAK AIRCRAFT
8	1	1	66-47401	SPACER, WATER RUDDER RETRACT HANDLE
9	2	2	66-47402	WATER RUDDER RETRACT HANDLE, SUPPORT BRACKET
10	1	1	66-47403	WATER RUDDER RETRACT HANDLE
11	1	-	66-47404	CABLE GUARD
12	1	-	66-47405	CABLE GUARD BUSHING
13	3	3	AN525-10R14	WASHER HEAD SCREW
14	4	5	AN970-3	WASHER, FLAT (LARGE AREA)
15	13	13	MS20426AD4-5	RIVET, COUNTERSUNK (LENGTH A/R)
16	1	-	MS21083C3	NUT, SELF-LOCKING, LOW HEIGHT, STAINLESS
17	3	3	MS21083N3	NUT, SELF-LOCKING, LOW-HEIGHT
18	1	-	MS24694S50	MACHINE SCREW, FLAT COUNTERSUNK HEAD, 100°
19	-	1	MS24694S57	MACHINE SCREW, FLAT COUNTERSUNK HEAD, 100°
20	1	-	MS24694S58	MACHINE SCREW, FLAT COUNTERSUNK HEAD, 100°
21	3	3	NAS1149D0332K	WASHER, FLAT

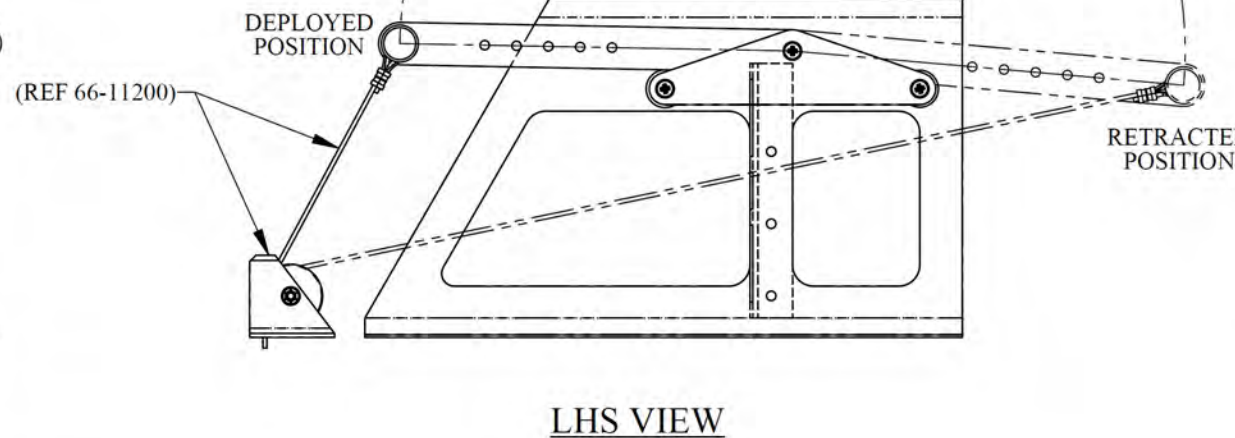
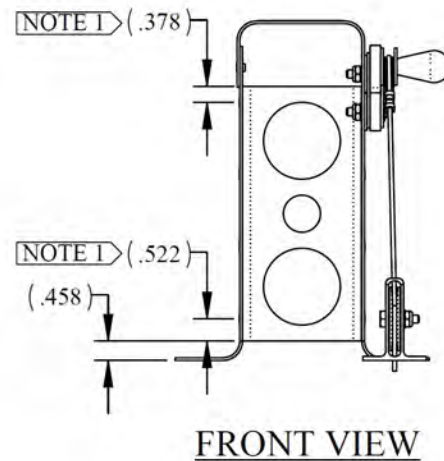
ISSUE DATE: 02/11/15		AEROCET Incorporated	PAGE	A80 of A100
			TITLE: ICA Maintenance Manual for 6650 Floats on a Quest KODIAK 100	FILE NO.
REVISION DATE: 6/27/2017			REVISION	1

66-11210-1 WATER RUDDER RETRACT HANDLE ASSEMBLY
SHOWING EXPLODED HANDLE COMPONENTS




ISOMETRIC
(EXPLODED)

APPROXIMATE THROW WHEN
MEASURED FROM HANDLE: 15.59 IN.

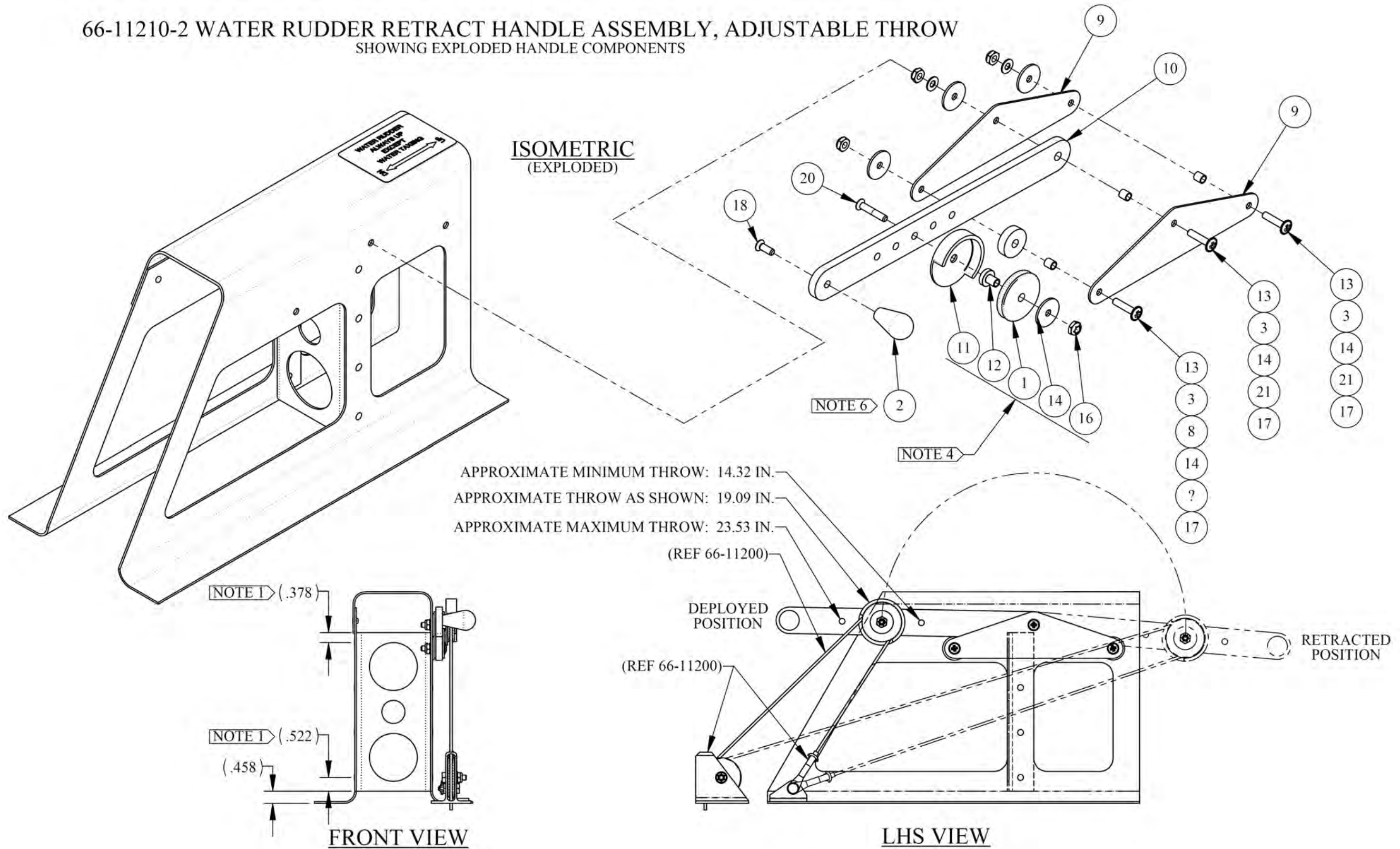



NOTES:

- 1 RIB IS TO BE MATCH-DRILLED TO SIDES. DRILL #30 (Ø.1285). MINIMUM EDGE DISTANCE TO DRILLED HOLES IS .257".
- a ALIGN FWD SIDE OF RIB APPROXIMATELY TO CUT OUT SHOWN, AND BOTTOM SIDE JUST ABOVE TANGENCY OF BENDS IN SIDES. REFERENCE DIMENSIONS ARE PROVIDED ON FOLLOWING SHEETS AS GUIDANCE.
2. REMOVE ALL BURRS AND SHARP EDGES.
3. APPLY CHEMICAL CONVERSION COATING TO ANY BARE ALUMINUM PER AEROCET PROCESS SPECIFICATION A-31007.
- 4 PULLEY COMPONENTS MAY BE PACKAGED SEPARATELY FOR LATER INSTALLATION IN 66-11200. POSITION ON HANDLE IS FOR REF ONLY, AND IS DETERMINED AT INSTALLATION IN ACCORDANCE WITH 66-11200.
5. FASTENER INSTALLATION AND TORQUE IN ACCORDANCE WITH AC43.13-1 OR A-10038.
- 6 OPTIONAL: APPLY LOCTITE 243 MEDIUM THREAD LOCKER IN ACCORDANCE WITH MFG. RECOMMENDATIONS.
7. ASSEMBLY SHALL BE MARKED PERMANENTLY AND LEGIBLY BY THE MOST PRACTICAL METHOD. (PULLEY COMPONENTS TO BE BAGGED, AND INCLUDED WITH THIS ASSEMBLY IF PROVIDED UNINSTALLED.)

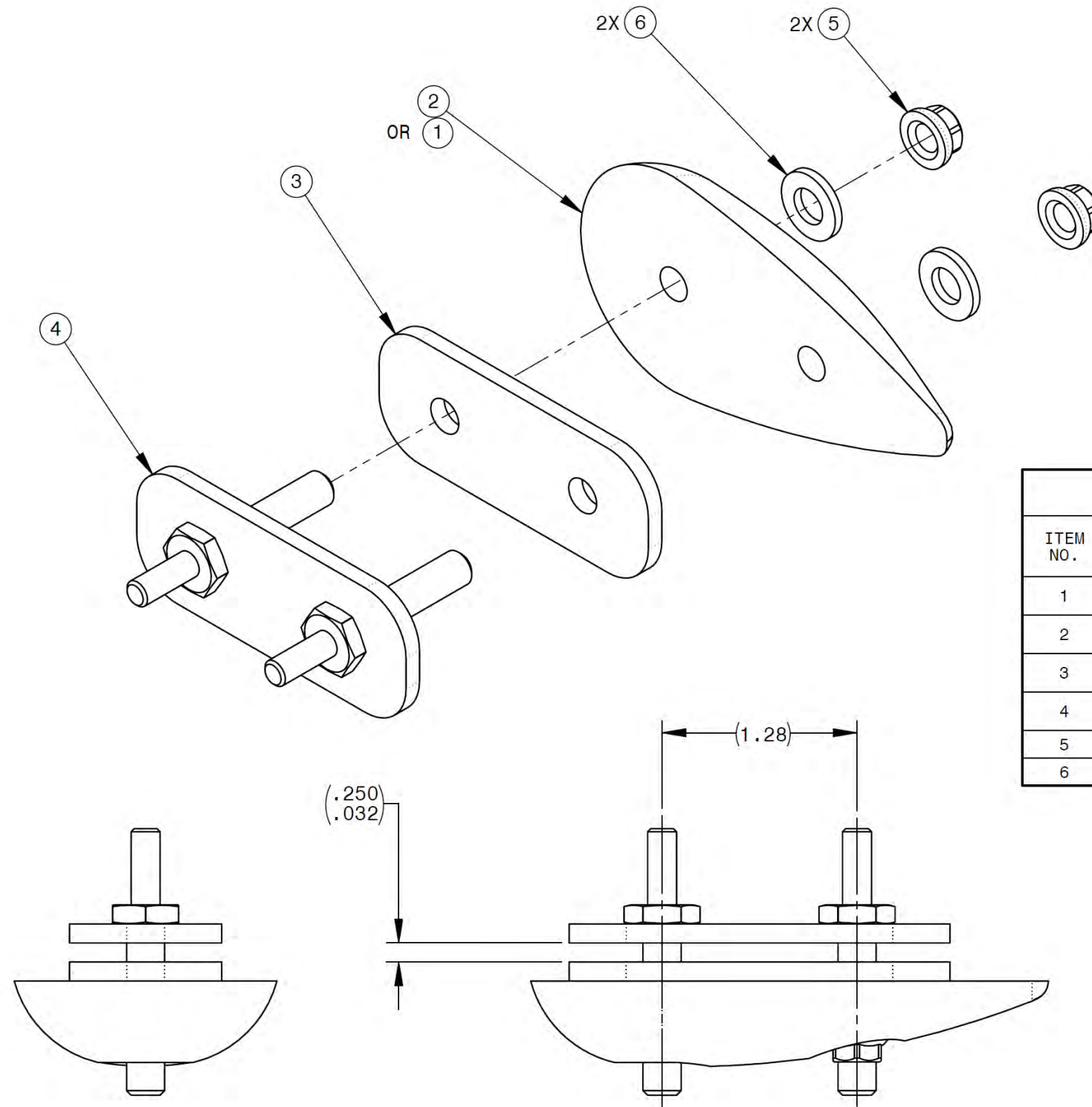
ISSUE DATE: 02/11/15		 Incorporated TITLE: ICA Maintenance Manual for 6650 Floats on a Quest KODIAK 100	PAGE: A81 of A100
REVISION DATE: 6/27/2017			FILE NO.: A-10038 Appendix A
			REVISION: 1

66-11210-2 WATER RUDDER RETRACT HANDLE ASSEMBLY, ADJUSTABLE THROW
 SHOWING EXPLODED HANDLE COMPONENTS



ISSUE DATE: 02/11/15		 Incorporated TITLE: ICA Maintenance Manual for 6650 Floats on a Quest KODIAK 100	PAGE: A82 of A100
REVISION DATE: 6/27/2017			FILE NO.: A-10038 Appendix A
			REVISION: 1

55. 66-12071 BRACKET ASSEMBLY, ANODE ATTACHMENT



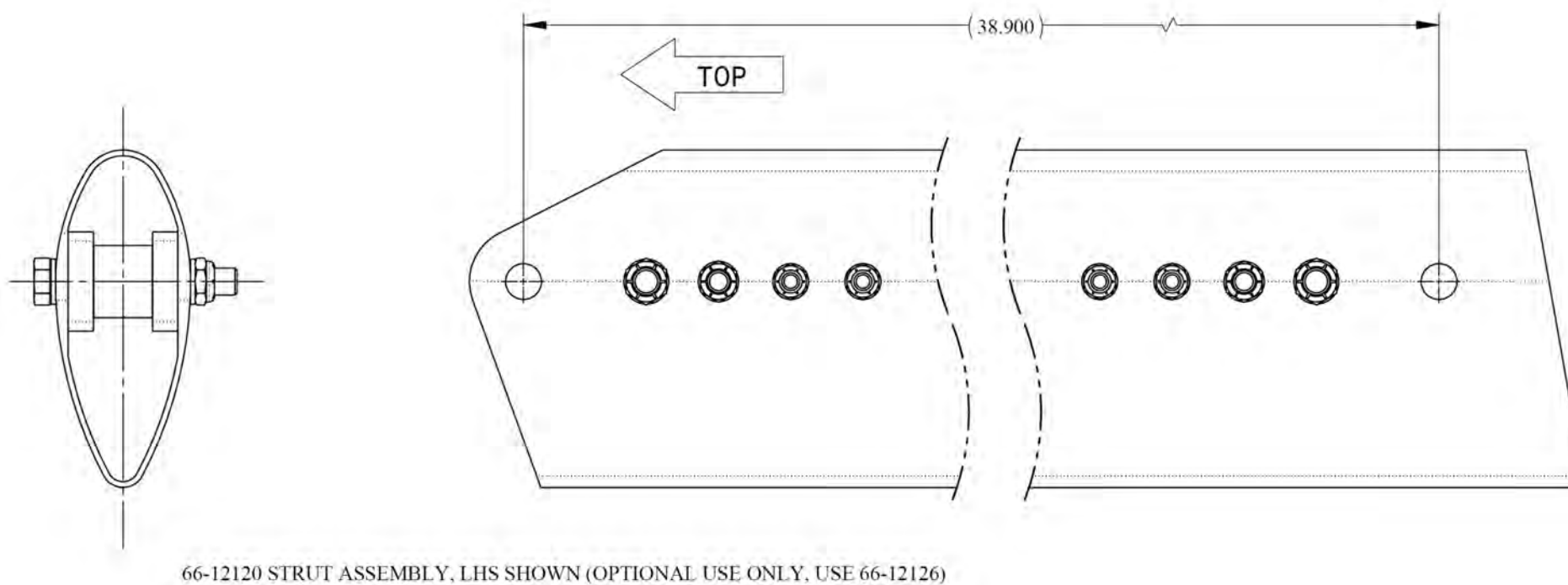
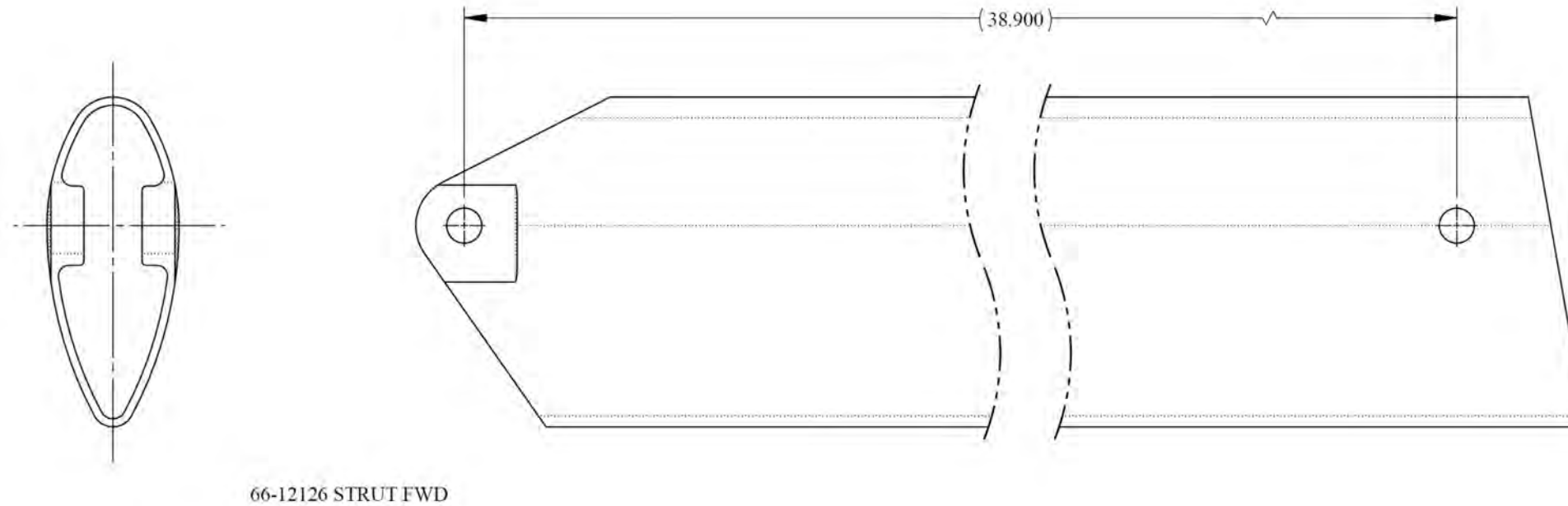
PARTS LIST FOR 66-12071 ANODE INSTALLATION BRACKET ASSEMBLY					
ITEM NO.	66-12071-1 QTY BRACKISH USE	66-12071-3 QTY MARINE USE	TYPE	PART NUMBER	DESCRIPTION
1	1	-	PART	35-80054-1	ANODE, HULL, TEARDROP SHAPED, 3.4 X 1.8 X .6, ALUMINUM
2	-	1	PART	35-80054-3	ANODE, HULL, TEARDROP SHAPED, 3.4 X 1.8 X .6, ZINC
3	1	1	PART	66-12072	STUD PLATE, ANODE INSTALLATION BRACKET ASSEMBLY
4	1	1	ASSY	66-12076	STUD PLATE ASSEMBLY, ANODE INSTALLATION BRACKET
5	2	2	HRDWR	MS21043-4	NUT, SELF-LOCKING, REDUCED HEX
6	2	2	HRDWR	NAS1149C0463R	WASHER, FLAT, STAINLESS


		AEROCET Incorporated			
ISSUE DATE:	02/11/15	TITLE:	ICA Maintenance Manual for 6650 Floats on a Quest KODIAK 100	PAGE	A83 of A100
REVISION DATE:	6/27/2017			FILE NO.	A-10038 Appendix A
				REVISION	1

56. 66-12120 STRUT ASSY, FWD – REFER TO 66-12126

57. 66-12126 STRUT, FWD

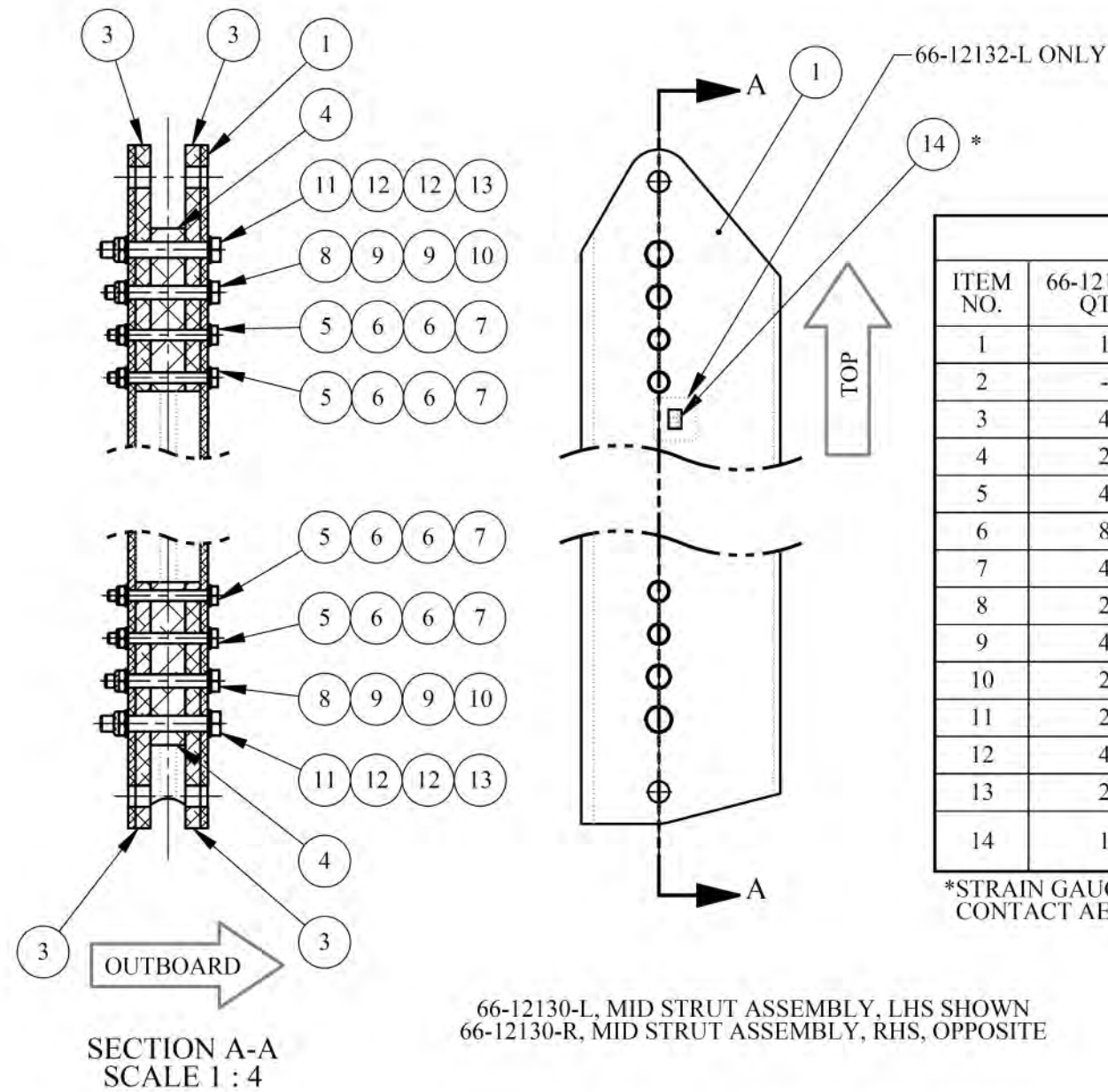
6650 Amphibian or 6750 Seaplane



ISSUE DATE: 02/11/15		 Incorporated TITLE: ICA Maintenance Manual for 6650 Floats on a Quest KODIAK 100	PAGE: A84 of A100
REVISION DATE: 6/27/2017			FILE NO.: A-10038 Appendix A
			REVISION: 1


58. 66-12130 STRUT ASSEMBLY, MID

6650 Amphibian or 6750 Seaplane



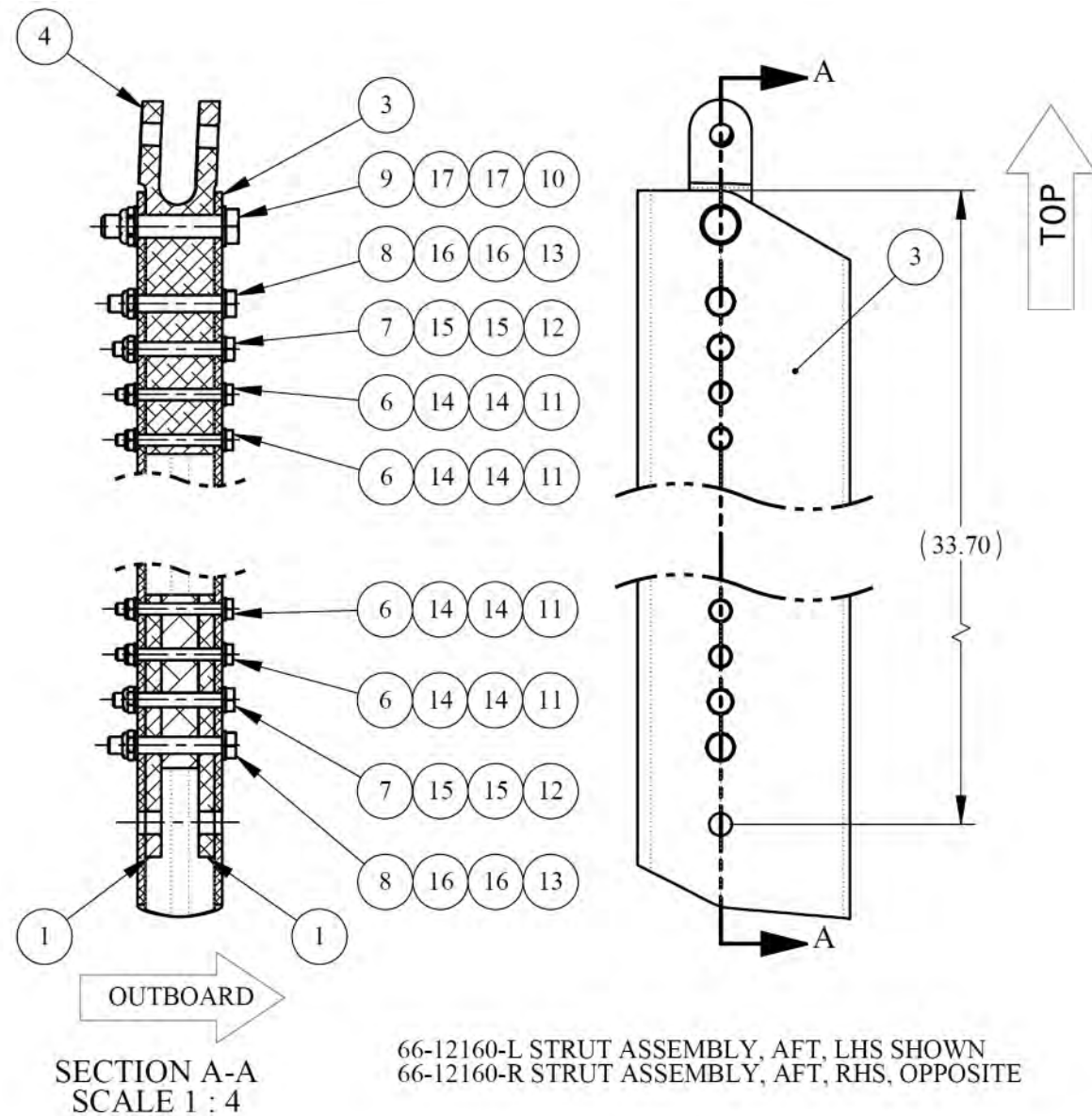
PARTS LIST FOR 66-12130 STRUT ASSEMBLY, MID					
ITEM NO.	66-12130-L QTY	66-12130-R QTY	TYPE	PART NUMBER	DESCRIPTION
1	1	-	PART	66-12132-L	STRUT, MID
2	-	1	PART	66-12132-R	STRUT, MID
3	4	4	PART	66-12124	STRAP, STRUT
4	2	2	PART	66-12125	SPACER, STRUT
5	4	4	HRDWR	AN4-23A	BOLT - MACHINE, AIRCRAFT
6	8	8	HRDWR	NAS1149D0463K	WASHER, FLAT
7	4	4	HRDWR	MS21083N4	NUT, SELF-LOCKING, LOW HEIGHT
8	2	2	HRDWR	AN5-23A	BOLT - MACHINE, AIRCRAFT
9	4	4	HRDWR	NAS1149D0563K	WASHER, FLAT
10	2	2	HRDWR	MS21083N5	NUT, SELF-LOCKING, LOW HEIGHT
11	2	2	HRDWR	AN6-24A	BOLT - MACHINE, AIRCRAFT
12	4	4	HRDWR	NAS1149D0663K	WASHER, FLAT
13	2	2	HRDWR	MS21083N6	NUT, SELF LOCKING, LOW HEIGHT
14	1	-	HRDWR	SGK-BH3A-K350U-PC23-E	BI-AXIAL STRAIN GAUGE BRIDGE, 350 Ohms \pm .30%

*STRAIN GAUGE INSTALLATION PER AEROCET PROCESS SPECIFICATION A-31017.
CONTACT AEROCET FOR AVAILABLE OPTIONS.


ISSUE DATE: 02/11/15		 Incorporated TITLE: ICA Maintenance Manual for 6650 Floats on a Quest KODIAK 100	PAGE: A85 of A100
REVISION DATE: 6/27/2017			FILE NO.: A-10038 Appendix A
			REVISION: 1

59. 66-12160 STRUT ASSEMBLY, AFT

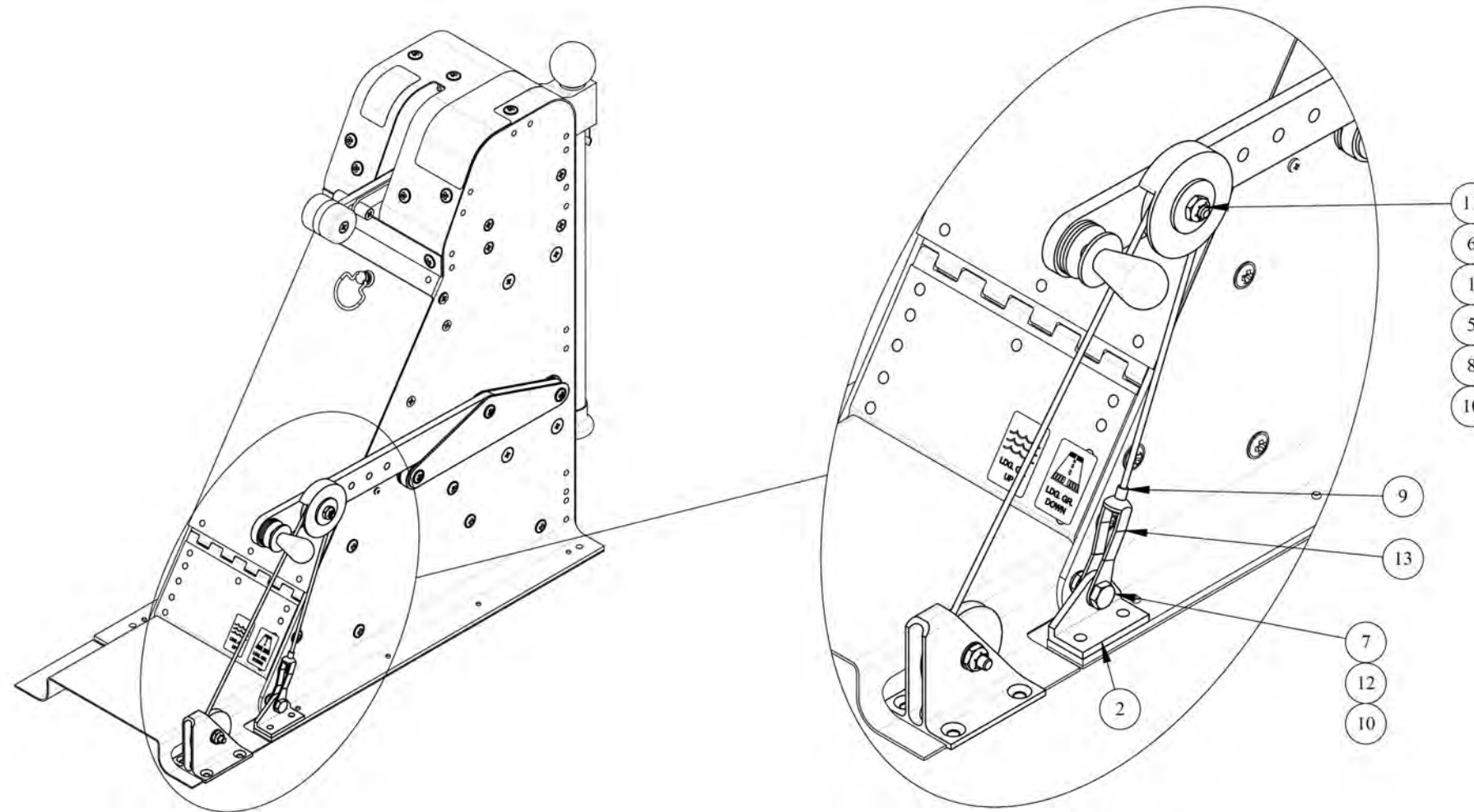
6650 Amphibian or 6750 Seaplane



PARTS LIST FOR 66-12160 STRUT ASSEMBLY, AFT					
ITEM NO.	66-12160-L QTY	66-12160-R QTY	TYPE	PART NUMBER	DESCRIPTION
1	2	2	PART	66-12124	STRAP, STRUT
2	1	1	PART	66-12125	SPACER, STRUT
3	1	1	PART	66-12162	STRUT, AFT
4	1	-	PART	66-12163-L	STRUT FITTING, UPPER, AFT, LHS
5	-	1	PART	66-12163-R	STRUT FITTING, UPPER, AFT, RHS
6	4	4	HRDWR	AN4-23A	BOLT - MACHINE, AIRCRAFT
7	2	2	HRDWR	AN5-23A	BOLT - MACHINE, AIRCRAFT
8	2	2	HRDWR	AN6-24A	BOLT - MACHINE, AIRCRAFT
9	1	1	HRDWR	AN8-25A	BOLT - MACHINE, AIRCRAFT
10	1	1	HRDWR	MS21044N8	NUT, SELF-LOCKING, LOW HEIGHT
11	4	4	HRDWR	MS21083N4	NUT, SELF-LOCKING, LOW HEIGHT
12	2	2	HRDWR	MS21083N5	NUT, SELF-LOCKING, LOW HEIGHT
13	2	2	HRDWR	MS21083N6	NUT, SELF LOCKING, LOW HEIGHT
14	8	8	HRDWR	NAS1149D0463K	WASHER, FLAT
15	4	4	HRDWR	NAS1149D0563K	WASHER, FLAT
16	4	4	HRDWR	NAS1149D0663K	WASHER, FLAT
17	2	2	HRDWR	NAS1149D0863K	WASHER, FLAT


ISSUE DATE: 02/11/15		 Incorporated TITLE: ICA Maintenance Manual for 6650 Floats on a Quest KODIAK 100	PAGE: A86 of A100
REVISION DATE: 6/27/2017			FILE NO.: A-10038 Appendix A
			REVISION: 1

60. 66-12201 W/ R RETRACT HANDLE, ALT. INST. 6650 AMPHIBIAN



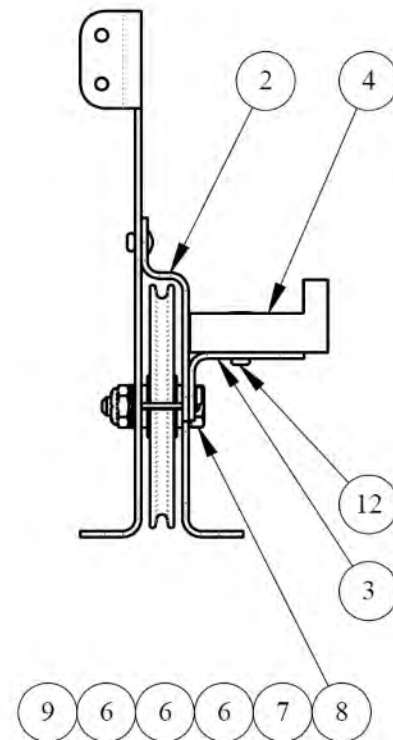
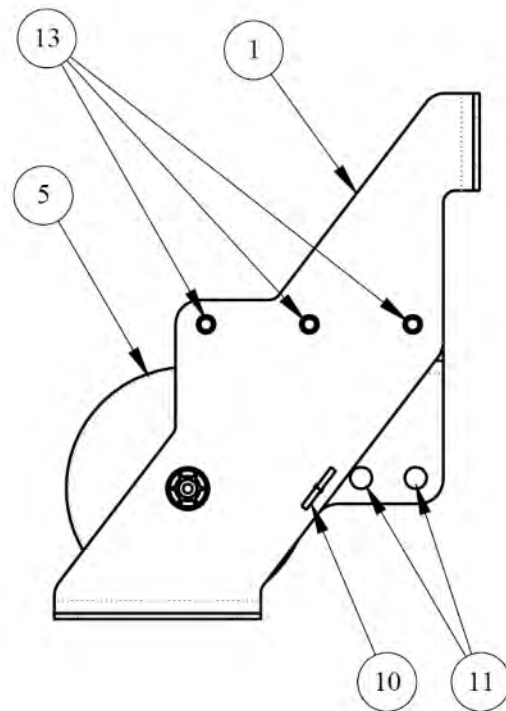
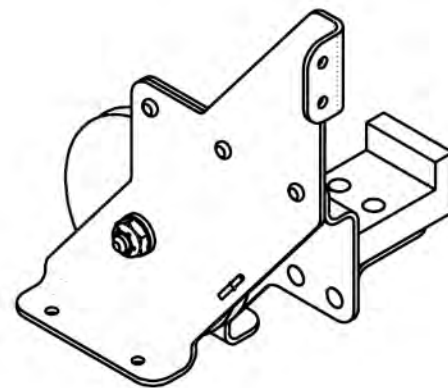
DETAIL A
SCALE 1 : 2

PARTS LIST FOR WATER RUDDER RETRACT HANDLE, ALTERNATE INSTALLATION, 6650 AMPHIBIAN				
ITEM NO.	QTY.	TYPE	PART NUMBER	DESCRIPTION
1	1	PART	35-34030	PULLEY
2	1	PART	66-12202	BRACKET, CABLE ANCHOR
3	1	ASSY	66-12220-7.5	CABLE, RUDDER RETRACT, COMMON
4	1	ASSY	66-47400	WATER RUDDER RETRACT HANDLE ASSY
5	1	PART	66-47404	CABLE GUARD
6	1	PART	66-47405	CABLE GUARD BUSHING
7	1	HRDWR	AN3-4A	BOLT - MACHINE, AIRCRAFT
8	1	HRDWR	AN970-3	WASHER, FLAT (LARGE AREA)
9	1	HRDWR	MS20664C3	BALL & SINGLE SHANK
10	2	HRDWR	MS21083C3	NUT, SELF-LOCKING, LOW HEIGHT, STAINLESS
11	1	HRDWR	MS24694S57	MACHINE SCREW, FLAT COUNTERSUNK HEAD, 100°
12	1	HRDWR	NAS1149C0363R	WASHER, FLAT, STAINLESS
13	1	HRDWR	NAS1435K3	FORK END

ISSUE DATE: 02/11/15		 Incorporated TITLE: ICA Maintenance Manual for 6650 Floats on a Quest KODIAK 100	PAGE	A87 of A100
REVISION DATE: 6/27/2017			FILE NO.	A-10038 Appendix A
			REVISION	1

61. 66-12250 PULLEY ASSEMBLY

6650 Amphibian or 6750 Seaplane

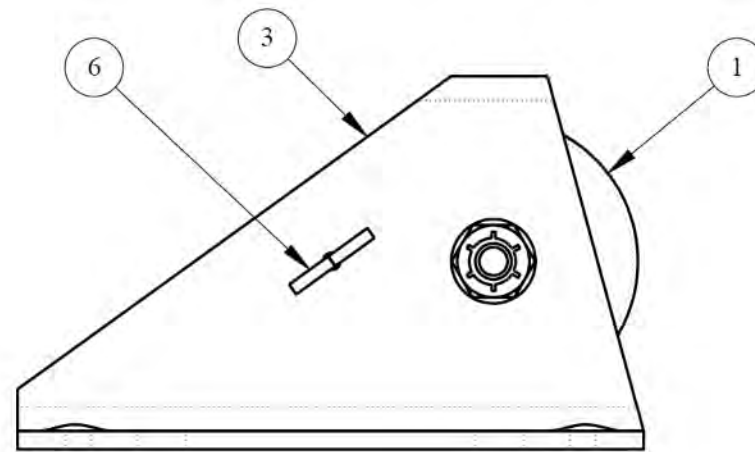
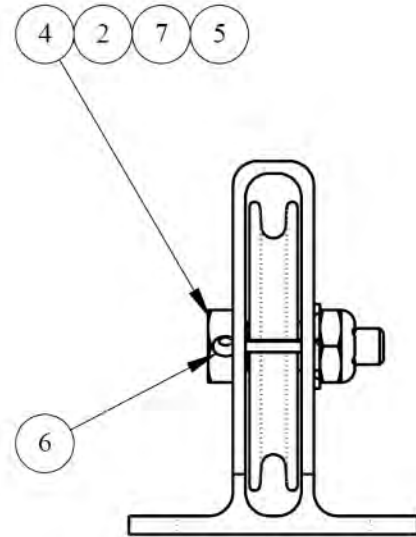
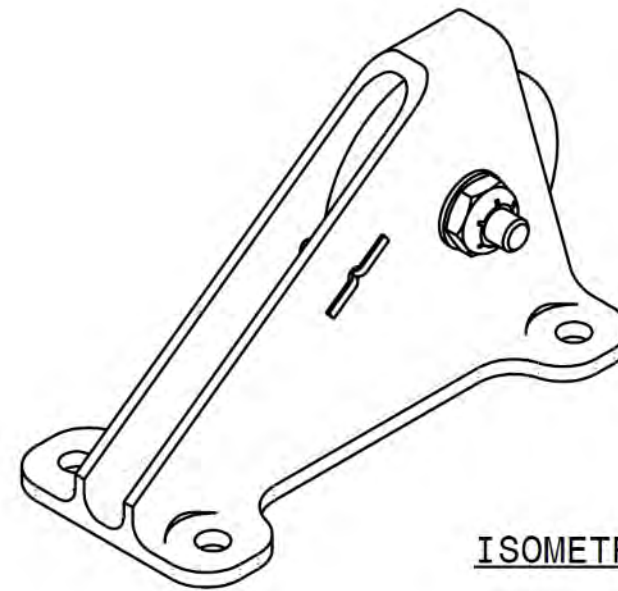


PARTS LIST FOR 66-12250 PULLEY ASSEMBLY				
ITEM NO.	QTY	TYPE	PART NUMBER	DESCRIPTION
1	1	PART	66-12251	PULLEY BRACKET, HALF A
2	1	PART	66-12252	PULLEY BRACKET, HALF B
3	1	PART	66-12253	BRACKET, MOUNTING FOR FRICTION MATERIAL
4	1	PART	66-12243	FRICTION PLATE
5	1	HRDWR	MS24566-2B	PULLEY, CONTROL, ANTI-FRICTION BEARING, AIRCRAFT
6	3	HRDWR	NAS1149D0363K	WASHER, FLAT
7	1	HRDWR	NAS1149D0316K	WASHER, FLAT
8	1	HRDWR	AN3-7A	BOLT - MACHINE, AIRCRAFT
9	1	HRDWR	MS21083N3	NUT, SELF-LOCKING, LOW-HEIGHT
10	1	HRDWR	MS24665-153	COTTER PIN
11	2	HRDWR	MS20426AD4-5	RIVET, COUNTERSUNK (LENGTH A/R)
12	2	HRDWR	MS20426AD4-10	RIVET, COUNTERSUNK (LENGTH A/R)
13	3	HRDWR	MS20470AD4-5	RIVET, SOLID, UNIVERSAL HEAD (LENGTH A/R)


		AEROCET Incorporated			
ISSUE DATE:	02/11/15	TITLE:	ICA Maintenance Manual for 6650 Floats on a Quest KODIAK 100	PAGE	A88 of A100
REVISION DATE:	6/27/2017			FILE NO.	A-10038 Appendix A
				REVISION	1

62. 66-12260 PULLEY ASSEMBLY

6650 Amphibian or 6750 Seaplane

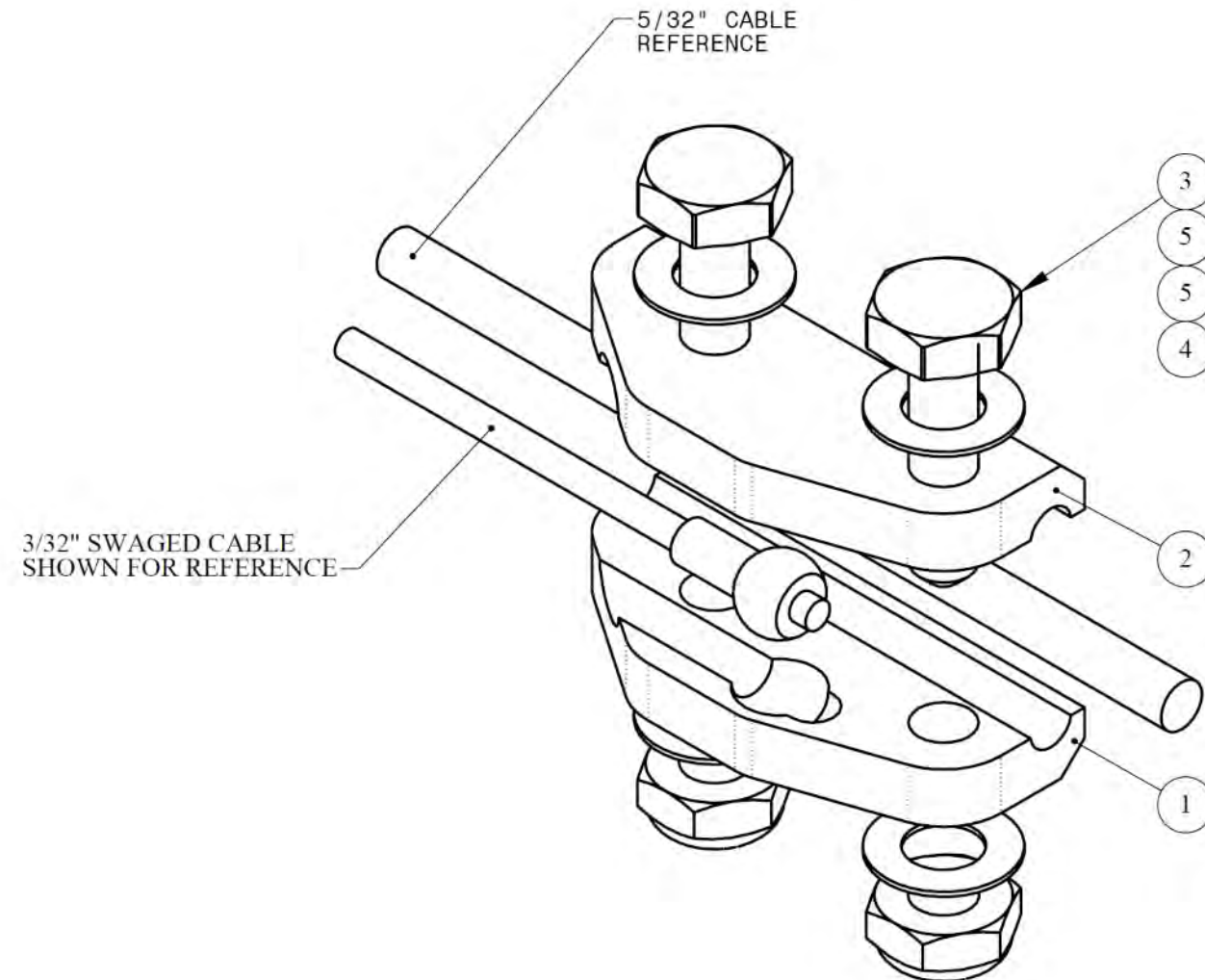


PARTS LIST FOR 66-12260 PULLEY ASSEMBLY				
ITEM NO.	QTY	TYPE	PART NUMBER	DESCRIPTION
1	1	PART	35-34030	PULLEY
2	1	PART	35-34036	PULLEY BUSHING
3	1	PART	66-12261	PULLEY BRACKET
4	1	HRDWR	AN3C6A	BOLT - MACHINE, AIRCRAFT
5	1	HRDWR	MS21083C3	NUT, SELF-LOCKING, LOW HEIGHT, STAINLESS
6	1	HRDWR	MS24665-151	COTTER PIN
7	1	HRDWR	NAS1149C0332R	WASHER, FLAT, STAINLESS


ISSUE DATE: 02/11/15		 Incorporated TITLE: ICA Maintenance Manual for 6650 Floats on a Quest KODIAK 100	PAGE	A89 of A100
REVISION DATE: 6/27/2017			FILE NO.	A-10038 Appendix A
			REVISION	1

63. 66-12270 CLAMP, Ø5/32" CABLE

6650 Amphibian or 6750 Seaplane

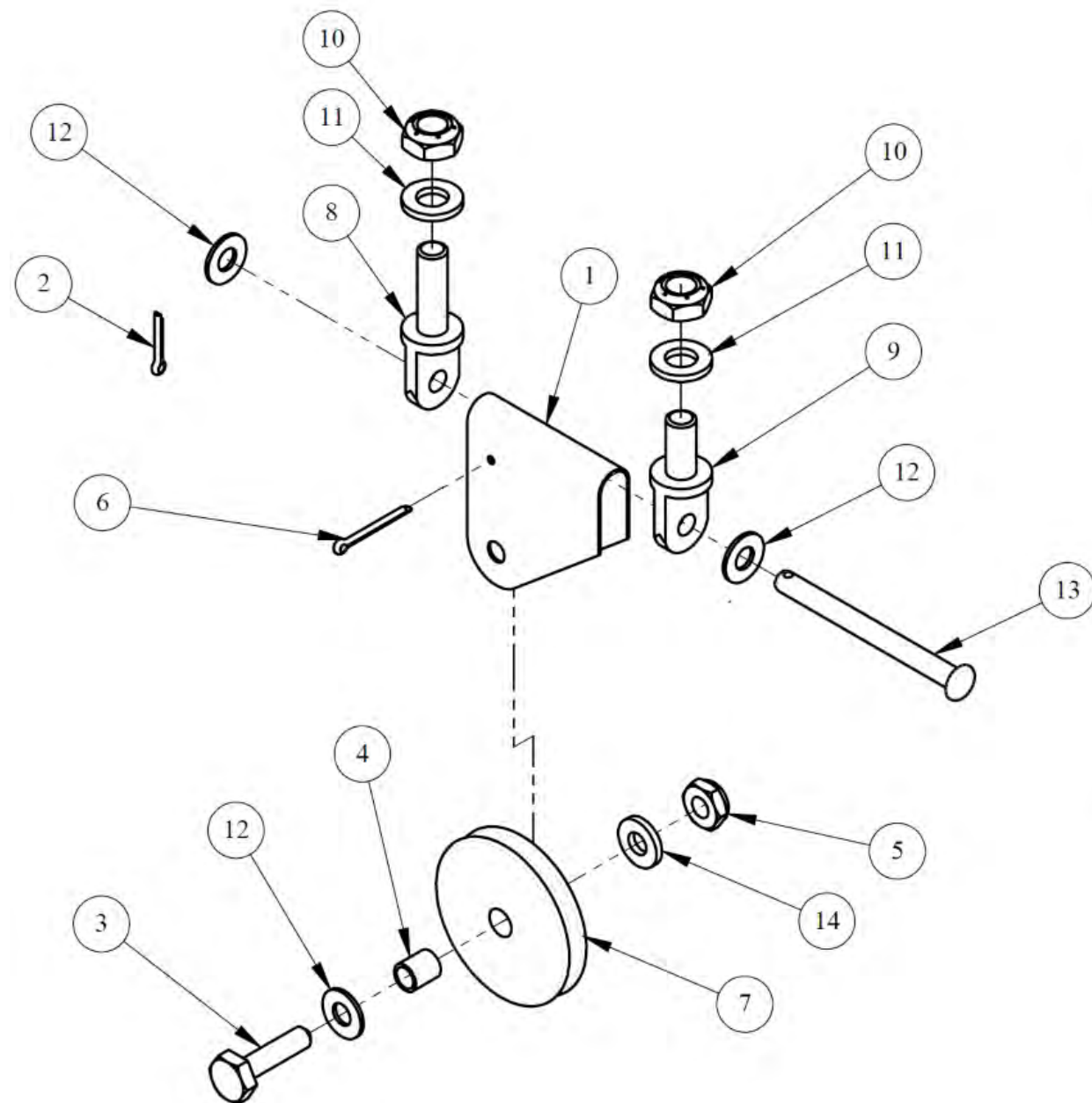


PARTS LIST FOR CLAMP, Ø5/32" CABLE				
ITEM NO.	QTY	TYPE	PART NUMBER	DESCRIPTION
1	1	PART	66-12271-1	CLAMP, 5/32 CABLE
2	1	PART	66-12271-2	CLAMP, 5/32 CABLE
3	2	HRDWR	AN3-6A	BOLT - MACHINE, AIRCRAFT
4	2	HRDWR	MS21083N3	NUT, SELF-LOCKING, LOW-HEIGHT
5	4	HRDWR	NAS1149D0316K	WASHER, FLAT

ISSUE DATE: 02/11/15		 Incorporated TITLE: ICA Maintenance Manual for 6650 Floats on a Quest KODIAK 100	PAGE: A90 of A100
REVISION DATE: 6/27/2017			FILE NO.: A-10038 Appendix A
			REVISION: 1

64. 66-12290 SWIVEL PULLEY ASSEMBLY, FLOAT MOUNTED


6650 Amphibian or 6750 Seaplane



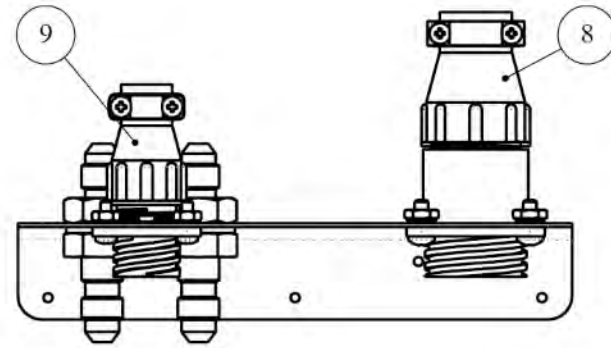
66-12290 SWIVEL PULLEY, FLOAT MOUNTED				
ITEM NO.	QTY	TYPE	PART NUMBER	DESCRIPTION
1	1	PART	35-34043	PULLEY BRACKET
2	1	HRDWR	MS24665-151	COTTER PIN
3	1	HRDWR	AN3C6A	BOLT - MACHINE, AIRCRAFT, STAINLESS
4	1	PART	35-34036	PULLEY BUSHING
5	1	HRDWR	MS21083C3	NUT, SELF-LOCKING, LOW HEIGHT, STAINLESS
6	1	HRDWR	MS24665-153	COTTER PIN
7	1	PART	35-34030	PULLEY
8	1	HRDWR	AN43B-C6A	EYEBOLT
9	1	HRDWR	AN43B-C4A	EYEBOLT
10	2	HRDWR	MS21083C4	NUT, SELF-LOCKING, LOW-HEIGHT, STAINLESS
11	2	HRDWR	NAS1149C0463R	WASHER, FLAT, STAINLESS
12	3	HRDWR	NAS1149C0332R	WASHER, FLAT, STAINLESS
13	1	PART	56-15265-2-61	PIN, STRAIGHT
14	1	HRDWR	NAS1149C0363R	WASHER, FLAT, STAINLESS

HINGE PIN ALTERNATES: MS20392-2P-- OR
MS20392-2R-- TO REQ'D LENGTH; OR

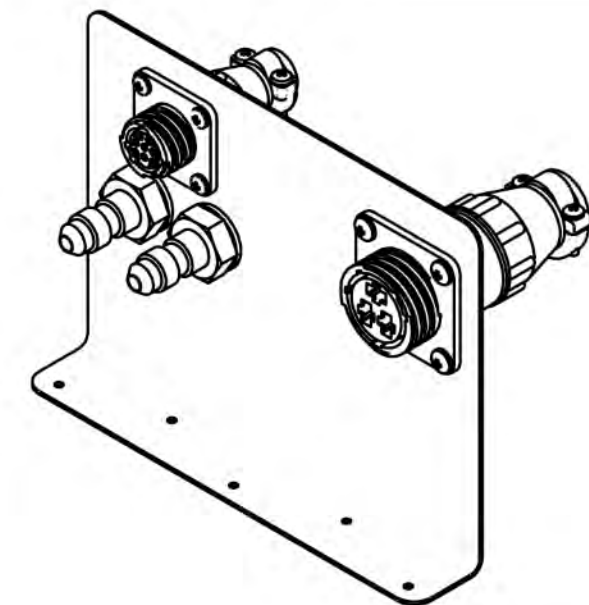
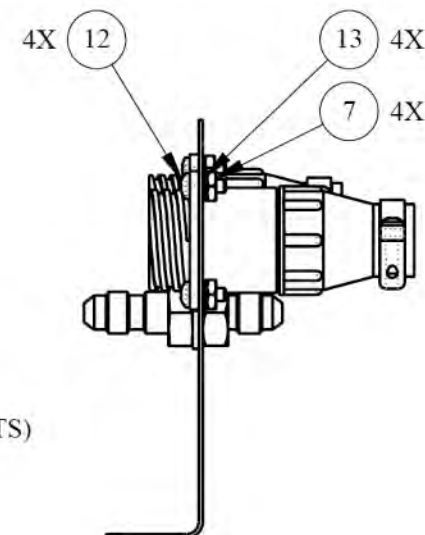
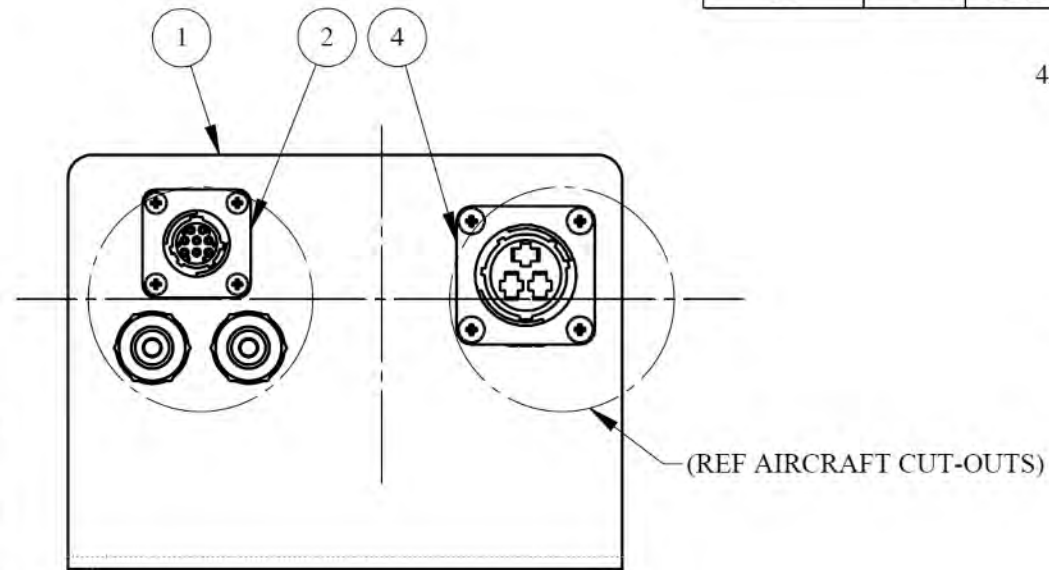
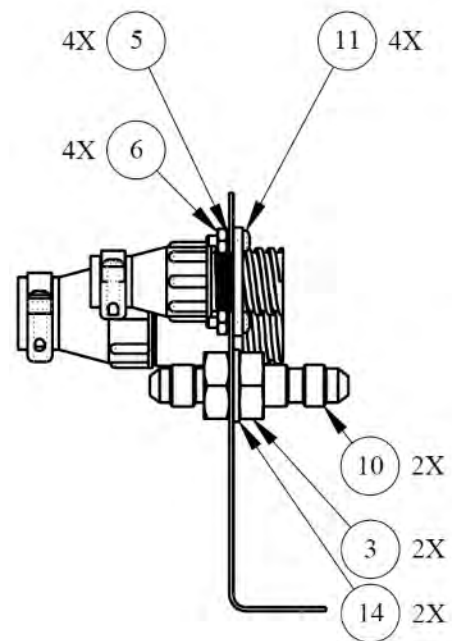
AN3 BOLT WITH AN310-3 OR AN310C3
CASTELLATED NUT (REF NOTE 1)

ISSUE DATE: 02/11/15		 Incorporated TITLE: ICA Maintenance Manual for 6650 Floats on a Quest KODIAK 100	PAGE: A91 of A100
REVISION DATE: 6/27/2017			FILE NO.: A-10038 Appendix A
			REVISION: 1

65. 66-12720 FITTING & RECEPTACLE ASSY, 6650 AMPHIBIAN

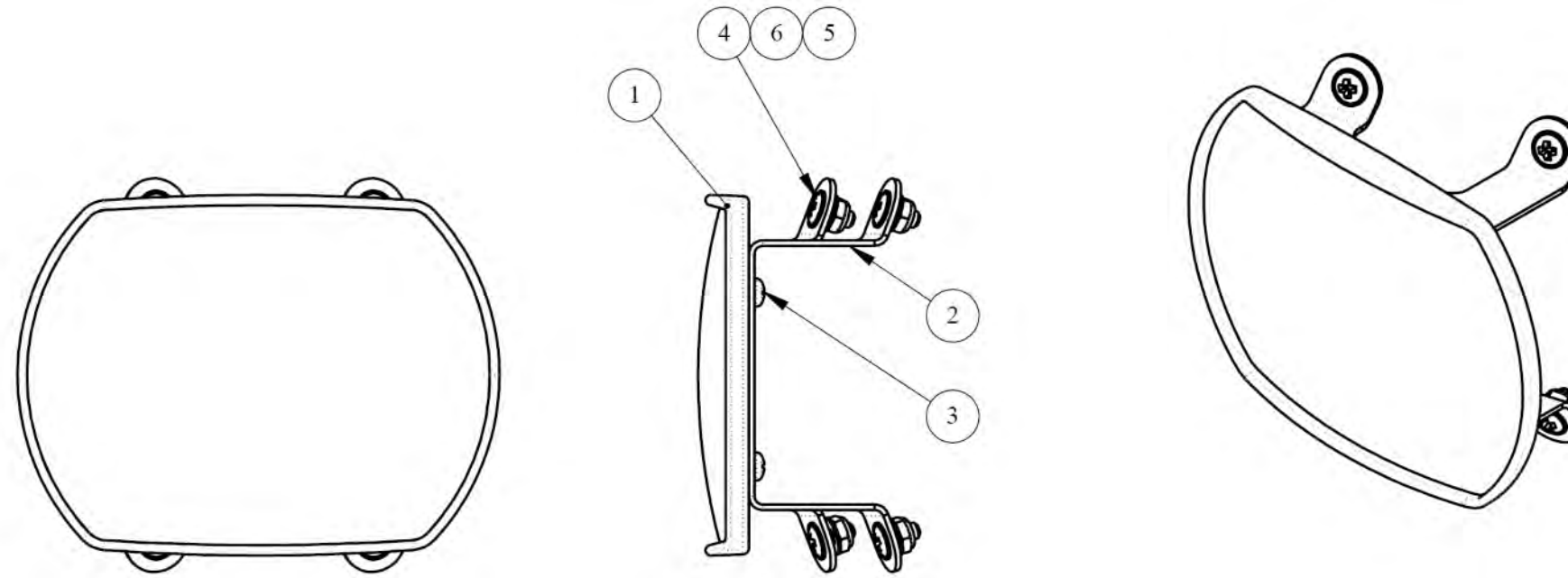


PARTS LIST FOR 66-12720 FITTING AND RECEPTACLE ASSEMBLY				
ITEM NO.	QTY	TYPE	PART NUMBER	DESCRIPTION
1	1	PART	66-47218	MOUNT, FITTING AND RECEPTACLE
2	1	HRDWR	206433-1	RECEPTACLE ASSEMBLY, ARRANGEMENT 11-8, REVERSE SEX, CPC
3	2	HRDWR	AN924-4D	NUT, TUBE, BULKHEAD AND UNIVERSAL FITTING
4	1	HRDWR	206425-1	RECEPTACLE HOUSING, REVERSE SEX, SHELL SIZE 17, CPC
5	4	HRDWR	MS35338-40	SPLIT LOCK WASHER
6	4	HRDWR	MS35649-242	NUT, PLAIN, HEXAGON, COARSE THREAD
7	4	HRDWR	MS35649-264	LIGHT HEX NUT (6-32 THREADS)
8	1	HRDWR	206070-8	CABLE CLAMP KIT, SHELL SIZE 17, CPC
9	1	HRDWR	1-206062-4	CABLE CLAMP KIT, STANDARD SHELL SIZE 11, CPC
10	2	HRDWR	AS5406D04	UNION, FLARED TUBE, BULKHEAD AND UNIVERSAL (AN832-4D, OBS.)
11	4	HRDWR	MS35206-215	MACHINE SCREW, PAN HEAD
12	4	HRDWR	MS35206-228	MACHINE SCREW, PAN HEAD
13	4	HRDWR	MS35338-41	SPLIT LOCK WASHER
14	2	HRDWR	NAS1149D0763K	WASHER, FLAT




		AEROCET Incorporated			
ISSUE DATE:	02/11/15	TITLE: ICA Maintenance Manual for 6650 Floats on a Quest KODIAK 100		PAGE	A92 of A100
REVISION DATE:	6/27/2017			FILE NO.	A-10038 Appendix A
				REVISION	1

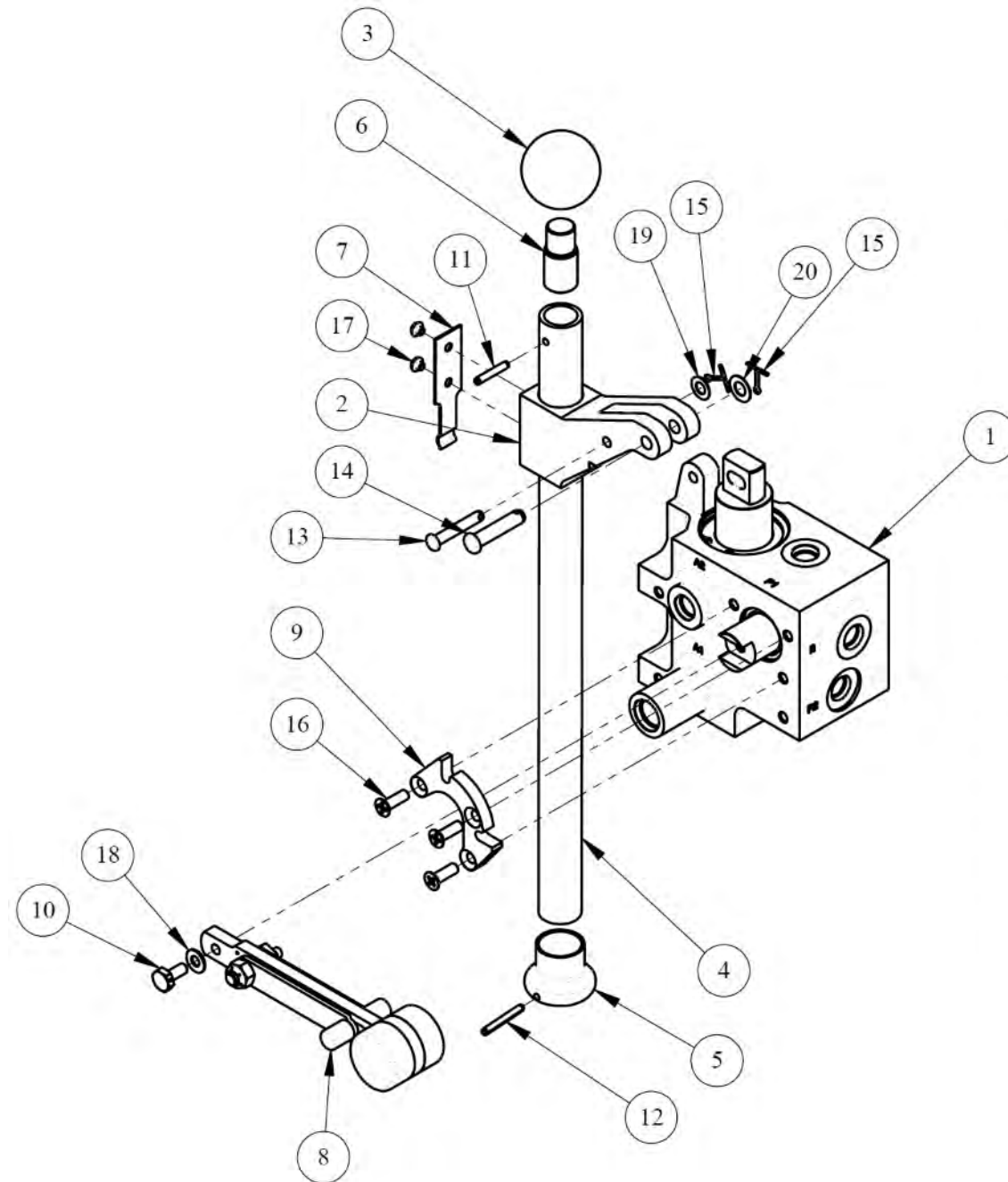
66. 66-12820 SPOT MIRROR ASSY, GARMIN RADAR POD, 6650 AMPHIB.




PARTS LIST FOR 66-12820 MIRROR ASSEMBLY (FOR USE WITH GARMIN RADAR POD-EQUIPPED AIRCRAFT)				
ITEM NO.	QTY	TYPE	PART NUMBER	DESCRIPTION
1	1	PART	35A-59431	CONVEX SPOT MIRROR
2	1	PART	66-12821	BRACKET, SPOT MIRROR, GARMIN RADAR POD
3	4	HRDWR	MS51861-33C	SCREW, TAPPING
4	4	HRDWR	AN525-10R7	WASHER HEAD SCREW
5	4	HRDWR	MS21083N3	NUT, SELF-LOCKING, LOW-HEIGHT
6	4	HRDWR	NAS1149C0332R	WASHER, FLAT, STAINLESS

ISSUE DATE: 02/11/15		 Incorporated TITLE: ICA Maintenance Manual for 6650 Floats on a Quest KODIAK 100	PAGE: A93 of A100
REVISION DATE: 6/27/2017			FILE NO.: A-10038 Appendix A
			REVISION: 1

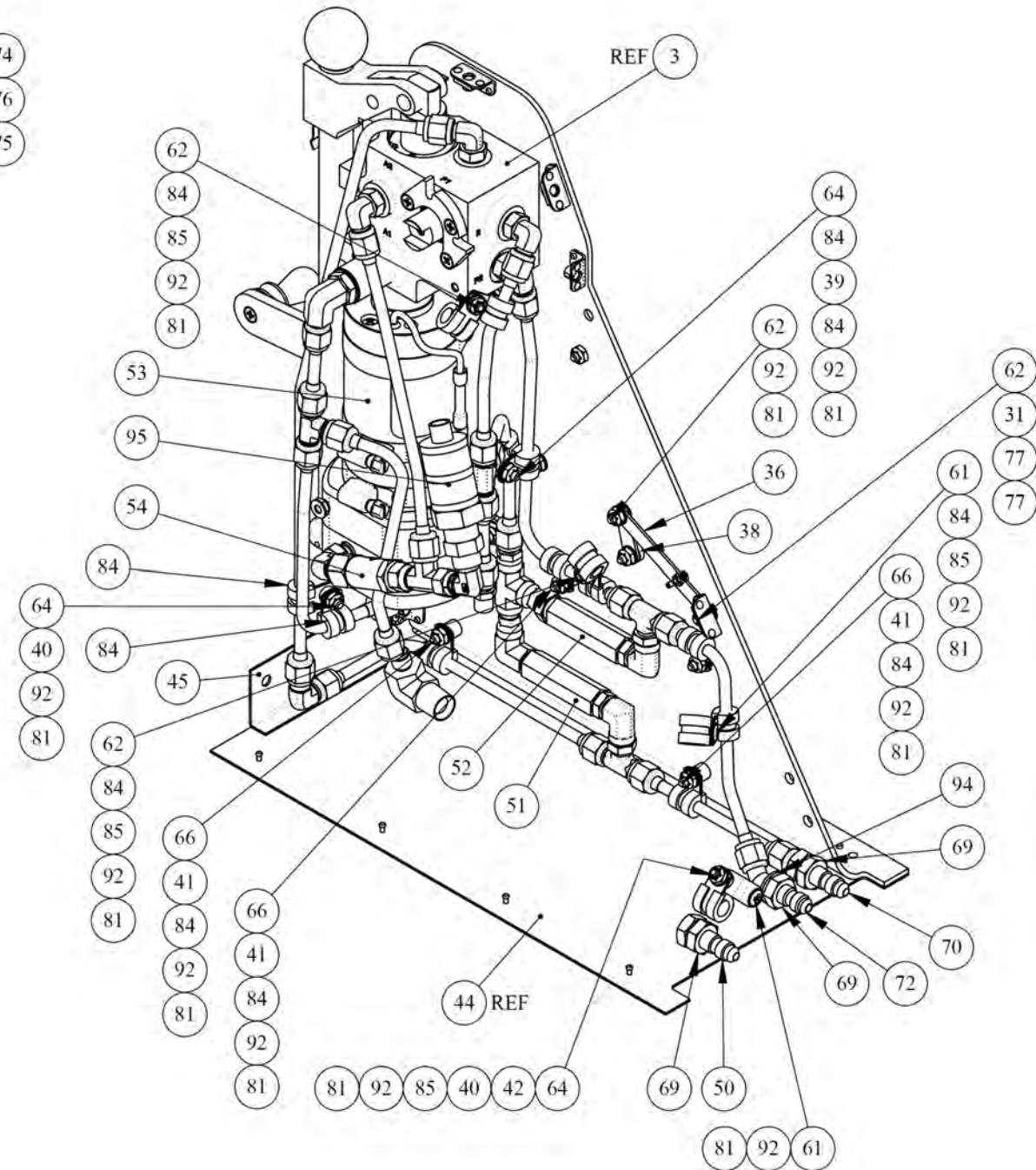
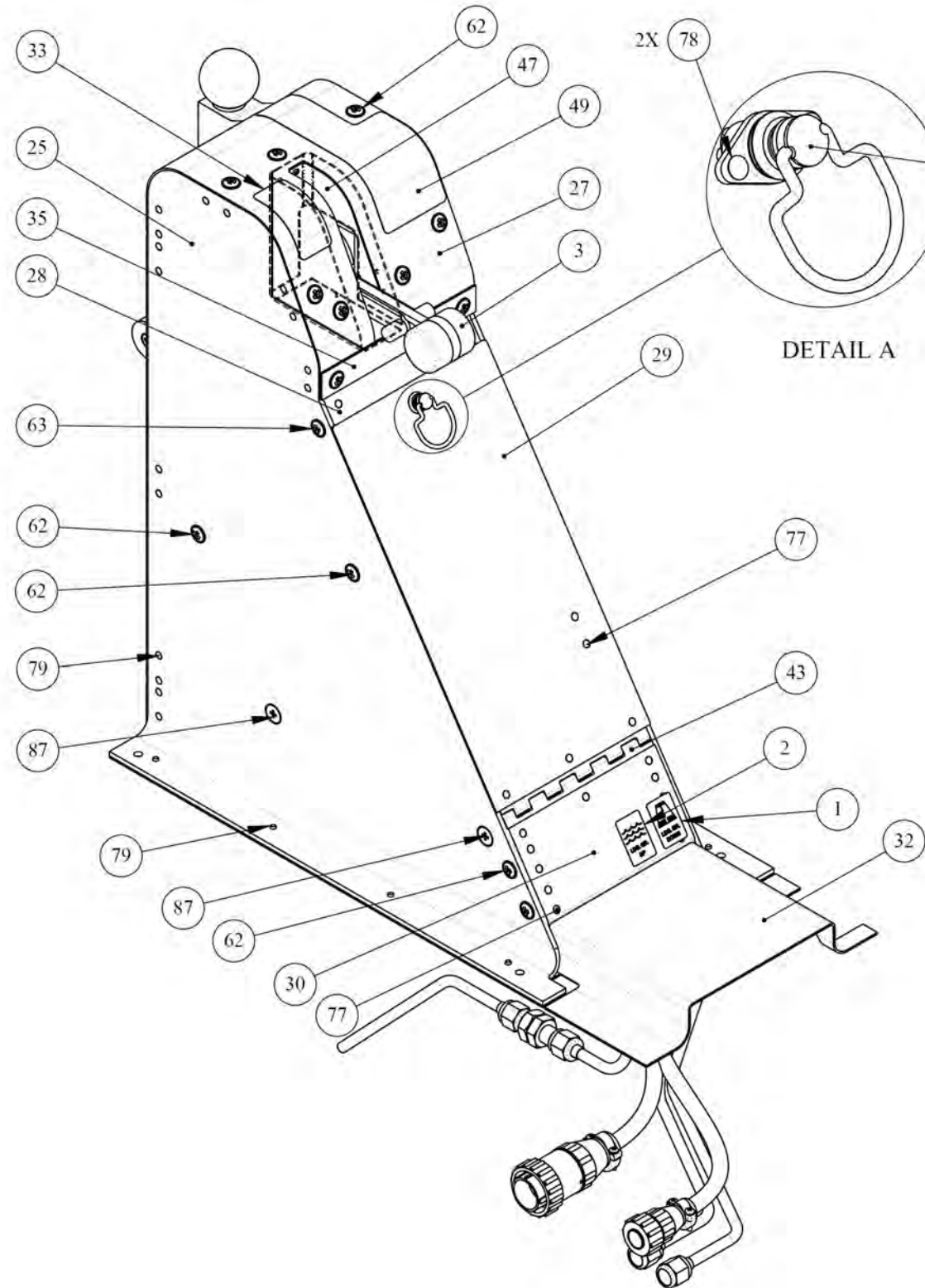
67. 66-47100 HYD. HAND PUMP, 6650 AMPHIBIAN




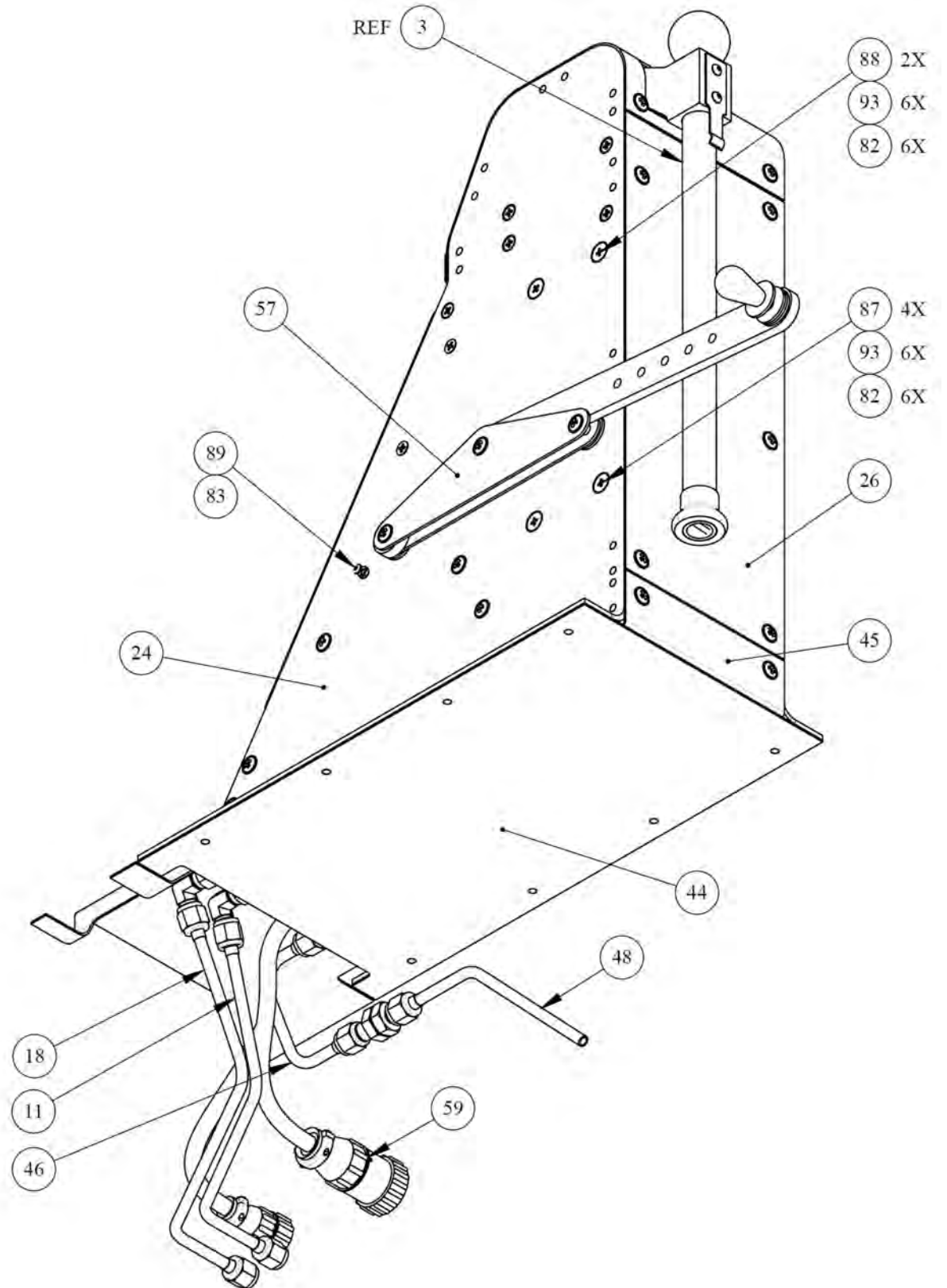
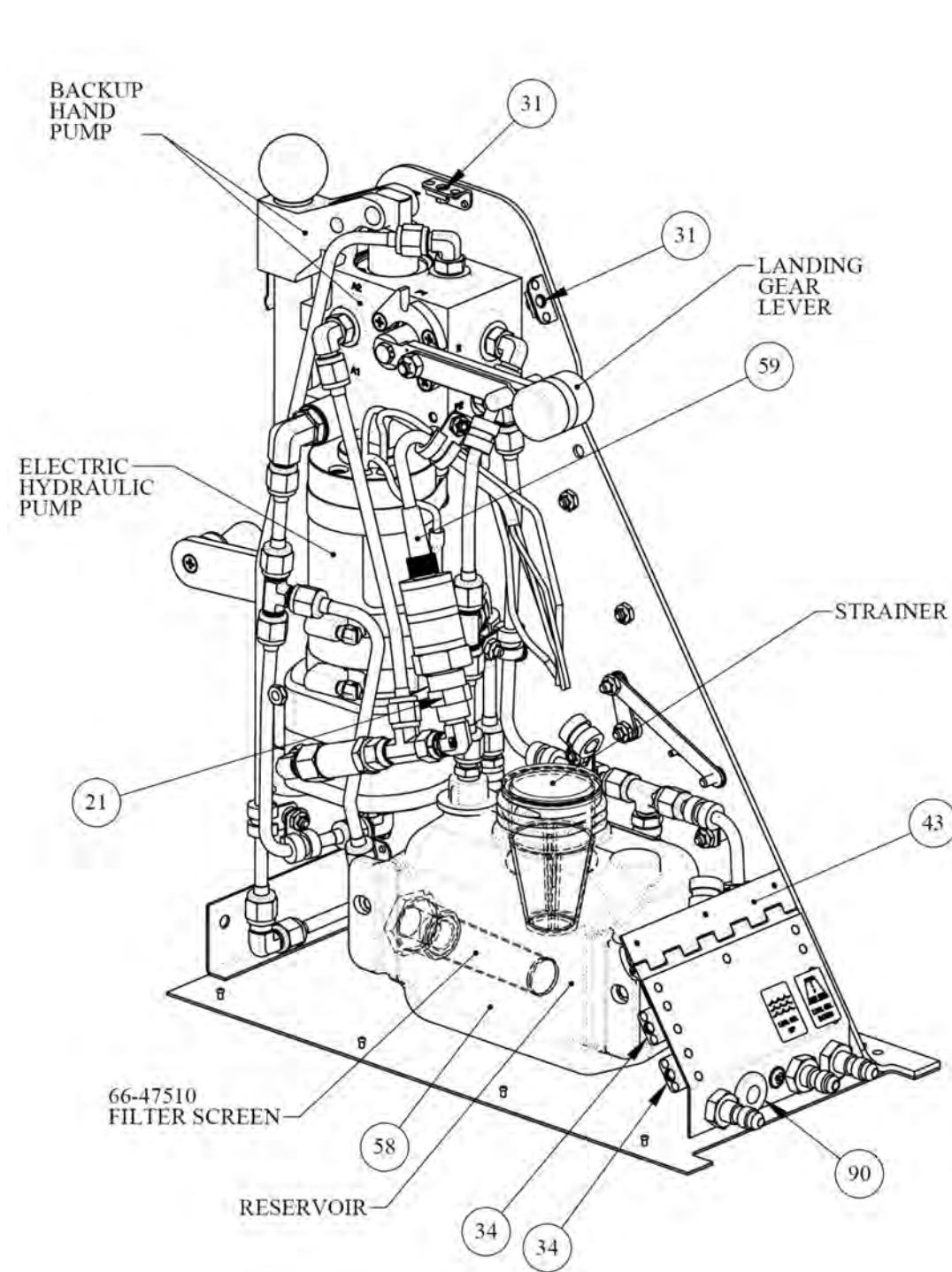
ITEM NO.	QTY	TYPE	PART NUMBER	DESCRIPTION
1	1	ASSY	66-47050	HYDRAULIC HAND PUMP. CORE BLOCK ASSEMBLY
2	1	PART	66-47115	HANDLE MOUNT, HYDRAULIC HAND PUMP
3	1	PART	66-47129	HANDLE KNOB, HYDRAULIC HAND PUMP
4	1	PART	66-47130	HANDLE, HYDRAULIC PUMP
5	1	PART	66-47131	HANDLE STOP, HYDRAULIC HAND PUMP
6	1	PART	66-47132	THREADED STUD, HANDLE KNOB
7	1	PART	66-47140	SPRING, HANDLE RETENTION, HYDRAULIC HAND PUMP
8	1	ASSY	66-47189	DIRECTIONAL CONTROL HANDLE, HYDRAULIC HAND PUMP, ASSEMBLY
9	1	PART	66-47195	DETENT, INDEX STOP, HYDRAULIC HAND PUMP
10	1	HRDWR	AN3H3A	BOLT - MACHINE, AIRCRAFT
11	1	HRDWR	MS16562-130	PIN, SPRING
12	1	HRDWR	MS16562-132	PIN, SPRING
13	1	HRDWR	MS20392-2C33	CLEVIS PIN
14	1	HRDWR	MS20392-3C33	CLEVIS PIN
15	2	HRDWR	MS24665-132	COTTER PIN
16	3	HRDWR	MS24694C51	MACHINE SCREW, FLAT COUNTERSUNK HEAD, 100°
17	2	HRDWR	MS51957-24	MACHINE SCREW
18	1	HRDWR	NAS1149C0332R	WASHER, FLAT, STAINLESS
19	1	HRDWR	NAS1149D0316K	WASHER, FLAT
20	1	HRDWR	NAS1149D0416K	WASHER, FLAT


ISSUE DATE: 02/11/15		 Incorporated TITLE: ICA Maintenance Manual for 6650 Floats on a Quest KODIAK 100	PAGE: A94 of A100
REVISION DATE: 6/27/2017			FILE NO.: A-10038 Appendix A
			REVISION: 1

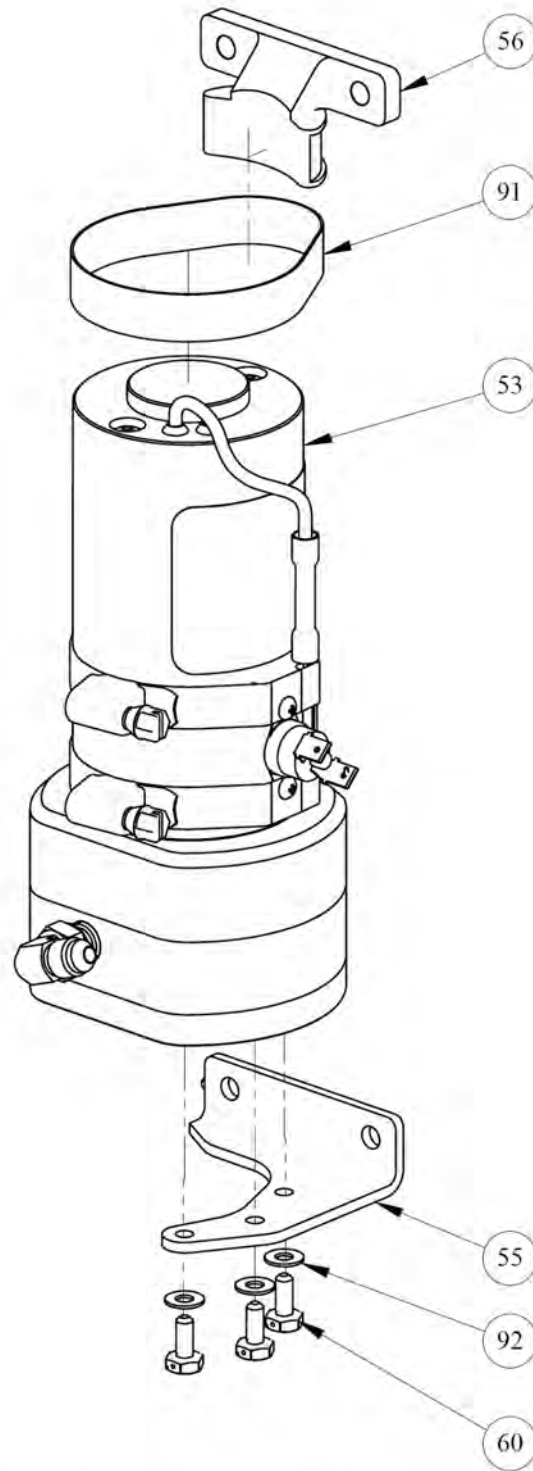
68. 66-47200 FLOAT PEDESTAL ASSY, 6650 AMPHIBIAN



ISSUE DATE: 02/11/15		 Incorporated TITLE: ICA Maintenance Manual for 6650 Floats on a Quest KODIAK 100	PAGE: A95 of A100
REVISION DATE: 6/27/2017			FILE NO.: A-10038 Appendix A
			REVISION: 1




ISSUE DATE: 02/11/15		 Incorporated TITLE: ICA Maintenance Manual for 6650 Floats on a Quest KODIAK 100	PAGE: A96 of A100
REVISION DATE: 6/27/2017			FILE NO.: A-10038 Appendix A
			REVISION: 1




66-47300 ELECTRICAL PUMP ASSEMBLY
 SHOWING INSTALLATION PARTS IN 66-47200

PARTS LIST FOR 66-47200 PEDESTAL HYDRAULIC				
ITEM NO.	QTY.	TYPE	PART NUMBER	DESCRIPTION
1	1	PART	66-12754	PLACARD, IDENTIFICATION OF HYDRAULIC PORT, GEAR DOWN
2	1	PART	66-12755	PLACARD, IDENTIFICATION OF HYDRAULIC PORT, GEAR UP
3	1	ASSY	66-47100	HYDRAULIC HAND PUMP, DOUBLE ACTING
4	1	ASSY	66-47133	LINE, PEDESTAL, HYDRAULIC PRESSURE, FROM PUMP
5	1	ASSY	66-47135	LINE, PEDESTAL, HYDRAULIC, HANDPUMP/ELECTRIC PUMP, COMMON FILL
6	1	ASSY	66-47136	LINE, PEDESTAL, HYDRAULIC, ELECTRIC PUMP, FILL
7	1	ASSY	66-47137	LINE, PEDESTAL, HYDRAULIC, PRESSURE LINE 1
8	1	ASSY	66-47138	LINE, PEDESTAL, HYDRAULIC, PRESSURE LINE 2
9	1	ASSY	66-47139	LINE, PEDESTAL, HYDRAULIC, PRESSURE LINE 3
10	1	ASSY	66-47144	LINE, PEDESTAL, HYDRAULIC, THERMAL PRESSURE RETURN, LINE 1
11	1	ASSY	66-47146	LINE, PEDESTAL, HYDRAULIC, PRESSURE LINE 4, UNDER FLOOR
12	1	PART	66-47147	SAE STRAIGHT THREAD ELBOW, STEEL
13	1	ASSY	66-47148	LINE, PEDESTAL, HYDRAULIC PRESSURE, RETURN LINE 1
14	1	ASSY	66-47149	LINE, PEDESTAL, HYDRAULIC PRESSURE LINE 5
15	1	ASSY	66-47151	LINE, PEDESTAL, HYDRAULIC PRESSURE LINE 6
16	6	PART	66-47152-4-4	SAE STRAIGHT THREAD ELBOW
17	2	ASSY	66-47153	LINE, PEDESTAL, HYDRAULIC, RETURN TO RESERVOIR
18	1	ASSY	66-47169	LINE, PEDESTAL, HYDRAULIC, PRESSURE LINE 7, UNDER FLOOR
19	1	PART	66-47171	FEMALE PIPE "TEE", 1/8 X 1/8 X 1/8 NPT
20	1	PART	66-47175	SWIVEL NUT RUN TEE
21	1	PART	66-47176	MP x FJX 90°- SWIVEL NUT MALE ELBOW
22	2	PART	66-47178	SWIVEL NUT ELBOW
21	1	PART	66-47179	PIPE COUPLING
24	1	PART	66-47201	SIDE, LEFT, HYDRAULIC PEDESTAL
25	1	PART	66-47202	SIDE, RIGHT, HYDRAULIC PEDESTAL
26	1	PART	66-47203	BACK, HYDRAULIC PEDESTAL
27	1	PART	66-47204	TOP, HYDRAULIC PEDESTAL
28	1	PART	66-47205	DOOR STOP, HYDRAULIC PEDESTAL
29	1	PART	66-47206	DOOR, HYDRAULIC PEDESTAL
30	1	PART	66-47207	FRONT, HYDRAULIC PEDESTAL
31	16	ASSY	66-47208	BRACKET, NUTPLATE, HYDRAULIC PEDESTAL
32	1	PART	66-47209	SHIELD, LINE, HYDRAULIC PEDESTAL
33	1	PART	66-47210	GEAR DIRECTION PLACARD, HYDRAULIC HAND PUMP
34	7	ASSY	66-47211	BRACKET, NUTPLATE, HYDRAULIC PEDESTAL
35	1	PART	66-47212	TOP, STIFFENER, HYDRAULIC PEDESTAL
36	1	PART	66-47213-1	DOOR LIMIT, HYDRAULIC PEDESTAL

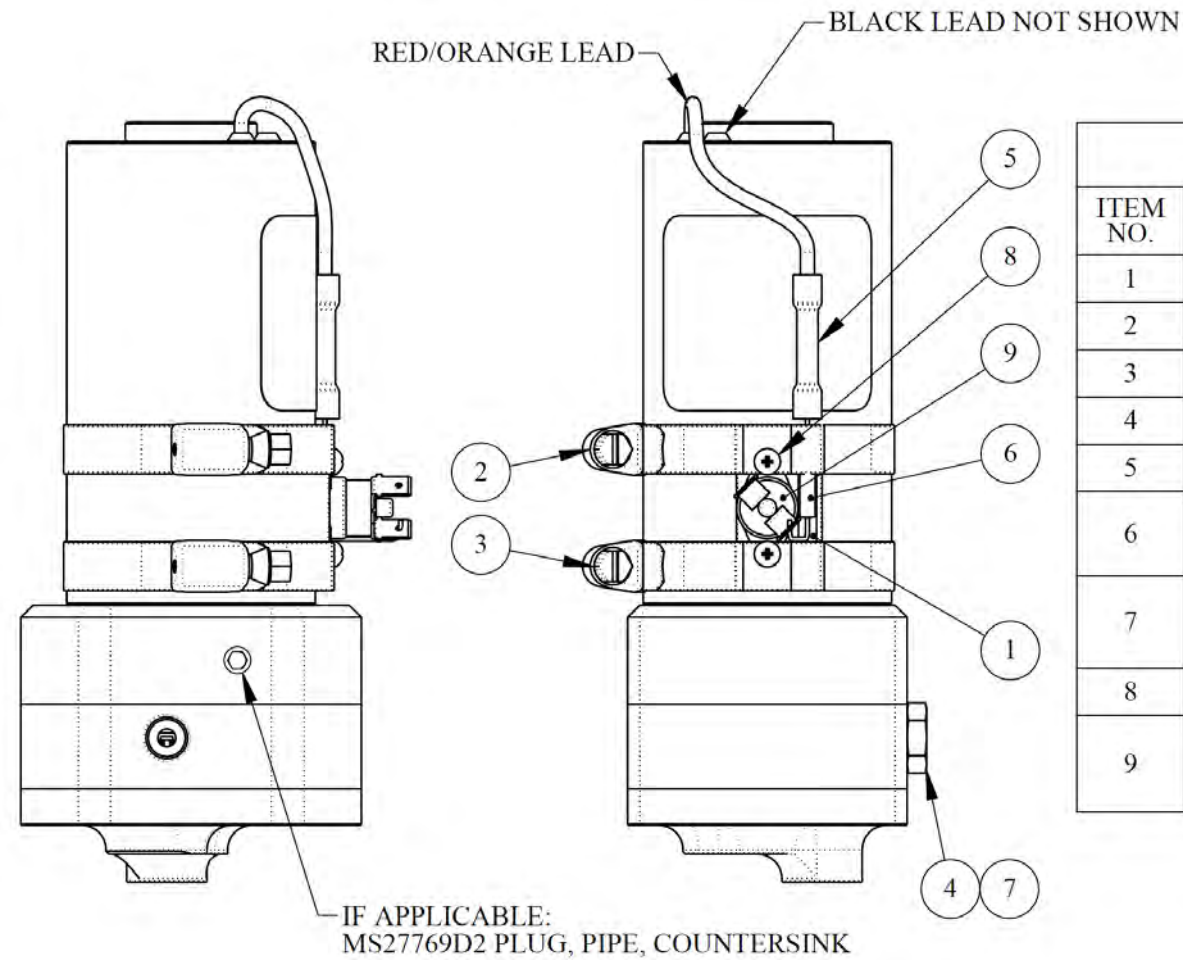
ISSUE DATE: 02/11/15		 Incorporated TITLE: ICA Maintenance Manual for 6650 Floats on a Quest KODIAK 100	PAGE: A97 of A100
REVISION DATE: 6/27/2017			FILE NO.: A-10038 Appendix A
			REVISION: 1

PARTS LIST FOR 66-47200 PEDESTAL HYDRAULIC				
ITEM NO.	QTY.	TYPE	PART NUMBER	DESCRIPTION
37	1	PART	66-47213-2	DOOR LIMIT, HYDRAULIC PEDESTAL
38	1	PART	66-47214-2	SPACER, DOOR LIMIT, HYDRAULIC PEDESTAL
39	1	PART	66-47217-155	SPACER
40	2	PART	66-47217-174	SPACER
41	4	PART	66-47217-334	SPACER
42	1	PART	66-47219	BRACKET, SUPPORT CLAMP
43	1	ASSY	66-47221	HINGE, DOOR, PEDESTAL, HYDRAULIC
44	1	PART	66-47223	DRIP PAN, BOTTOM, HYDRAULIC PEDESTAL
45	1	PART	66-47224	DRIP PAN, BACK, HYDRAULIC PEDESTAL
46	1	ASSY	66-47225	LINE, PEDESTAL, HYDRAULIC DRAIN, UNDER FLOOR
47	1	ASSY	66-47226	SHIELD, PEDESTAL, TOP
48	1	ASSY	66-47227	LINE, PEDESTAL, HYDRAULIC DRAIN EXTENSION, UNDER FLOOR
49	1	PART	66-47228	PLACARD, WATER RUDDER AND HAND PUMP, IDENTIFICATION
50	1	PART	66-47229	FITTING, FLARED TUBE, BULKHEAD, DRAIN, PEDESTAL, HYDRAULIC
51	1	ASSY	66-47230-1	PRESSURE RELIEF, VALVE, ASSEMBLY, ELBOW
52	1	ASSY	66-47230-2	PRESSURE RELIEF, VALVE, ASSEMBLY, BUSHING
53	1	ASSY	66-47300	PUMP, HYDRAULIC, ELECTRIC, 24V DC, ASSEMBLY
54	1	PART	66-47335	CHECK VALVE, IN-LINE, 1/4 TUBE JIC
55	1	PART	66-47355	MOUNT PLATE, HEAD SIDE, ELECTRIC PUMP
56	1	PART	66-47360	MOUNT BRACKET, MOTOR SIDE, ELECTRIC PUMP
57	1	ASSY	66-47400	WATER RUDDER RETRACT HANDLE ASSY
58	1	ASSY	66-47500	RESERVOIR, HYDRAULIC, PEDESTAL
59	1	ASSY	66-60016	AIRCRAFT PEDESTAL WIRING HARNESS
60	3	HRDWR	AN3H3A	BOLT - MACHINE, AIRCRAFT
61	5	HRDWR	AN525-10R6	WASHER HEAD SCREW
62	23	HRDWR	AN525-10R7	WASHER HEAD SCREW
63	4	HRDWR	AN525-10R8	WASHER HEAD SCREW
64	3	HRDWR	AN525-10R10	WASHER HEAD SCREW
65	3	HRDWR	AN525-10R12	WASHER HEAD SCREW
66	2	HRDWR	AN525-10R14	WASHER HEAD SCREW
67	1	HRDWR	AN816-4D	NIPPLE, FLARED TUBE AND PIPE THREAD
68	2	HRDWR	AN911-1D	PIPE NIPPLE, 1/8-27 X 1/8-27 NPT
69	4	HRDWR	AN924-4D	NUT, TUBE, BULKHEAD AND UNIVERSAL FITTING
70	2	HRDWR	AS5406D04	UNION, FLARED TUBE, BULKHEAD AND UNIVERSAL (AN832-4D, OBS.)
71	1	HRDWR	AS1034D0404	ELBOW - FLARED TUBE, 90° (AN821-4D, OBS.)
72	1	HRDWR	AS1040D0404	ELBOW, FLARED TUBE, BULKHEAD AND UNIVERSAL, 45° (AN837-4D, OBS.)
73	2	HRDWR	AS1035D040404	TEE - FLARED TUBE (AN824-4D, OBS.)


PARTS LIST FOR 66-47200 PEDESTAL HYDRAULIC				
ITEM NO.	QTY.	TYPE	PART NUMBER	DESCRIPTION
74	1	HRDWR	MS26S22-4B	1/4 TURN FASTENER, BAIL HEAD STUD
75	1	HRDWR	MS212-12	1/4 TURN FASTENER, RECEPTACLE
76	1	HRDWR	MS2600-LW-7	1/4 TURN FASTENER, STUD RETAINER
77	20	HRDWR	MS20426AD3-3	3/32" RIVET, 100° COUNTERSUNK HEAD, LENGTH AS REQ'D
78	2	HRDWR	MS20426AD3-4	3/32" RIVET, 100° COUNTERSUNK HEAD, LENGTH AS REQ'D
79	38	HRDWR	MS20426AD3-5	3/32" RIVET, 100° COUNTERSUNK HEAD, LENGTH AS REQ'D
80	1	BULK	MS20995C20	SAFETY WIRE, Ø.020, STAINLESS
81	17	HRDWR	MS21083N3	NUT, SELF-LOCKING, LOW-HEIGHT
82	6	HRDWR	MS21083N4	NUT, SELF-LOCKING, LOW HEIGHT
83	1	HRDWR	MS21083N04	NUT, SELF-LOCKING, LOW-HEIGHT
84	11	HRDWR	MS21919WDG4	WEDGE CLAMP
85	4	HRDWR	MS21919WDG6	WEDGE CLAMP
86	7	HRDWR	MS24694S50	MACHINE SCREW, FLAT COUNTERSUNK HEAD, 100°
87	4	HRDWR	MS24694S96	MACHINE SCREW, FLAT COUNTERSUNK HEAD, 100°
88	2	HRDWR	MS24694S97	MACHINE SCREW, FLAT COUNTERSUNK HEAD, 100°
89	1	HRDWR	MS35206-217	MACHINE SCREW, PAN HEAD
90	1	HRDWR	MS35489-11X	GROMMET
91	1	HRDWR	MS35842-14	CLAMP, BAND, 2.56 - 3.50 RANGE, X .563 WIDE
92	21	HRDWR	NAS1149D0332K	WASHER, FLAT
93	6	HRDWR	NAS1149D0416K	WASHER, FLAT
94	1	HRDWR	NAS1149D0763K	WASHER, FLAT
95	1	HRDWR	PSD25-0P-1450H	PRESSURE SWITCH 75 TO 1450 PSI ADJ RNG 1/4in NPT DC PNP 4-PIN M12 Q/D

ISSUE DATE: 02/11/15		 Incorporated TITLE: ICA Maintenance Manual for 6650 Floats on a Quest KODIAK 100	PAGE	A98 of A100
REVISION DATE: 6/27/2017			FILE NO.	A-10038 Appendix A
			REVISION	1

69. 66-47300 HYD. PUMP, 24V DC, 6650 AMPHIBIAN

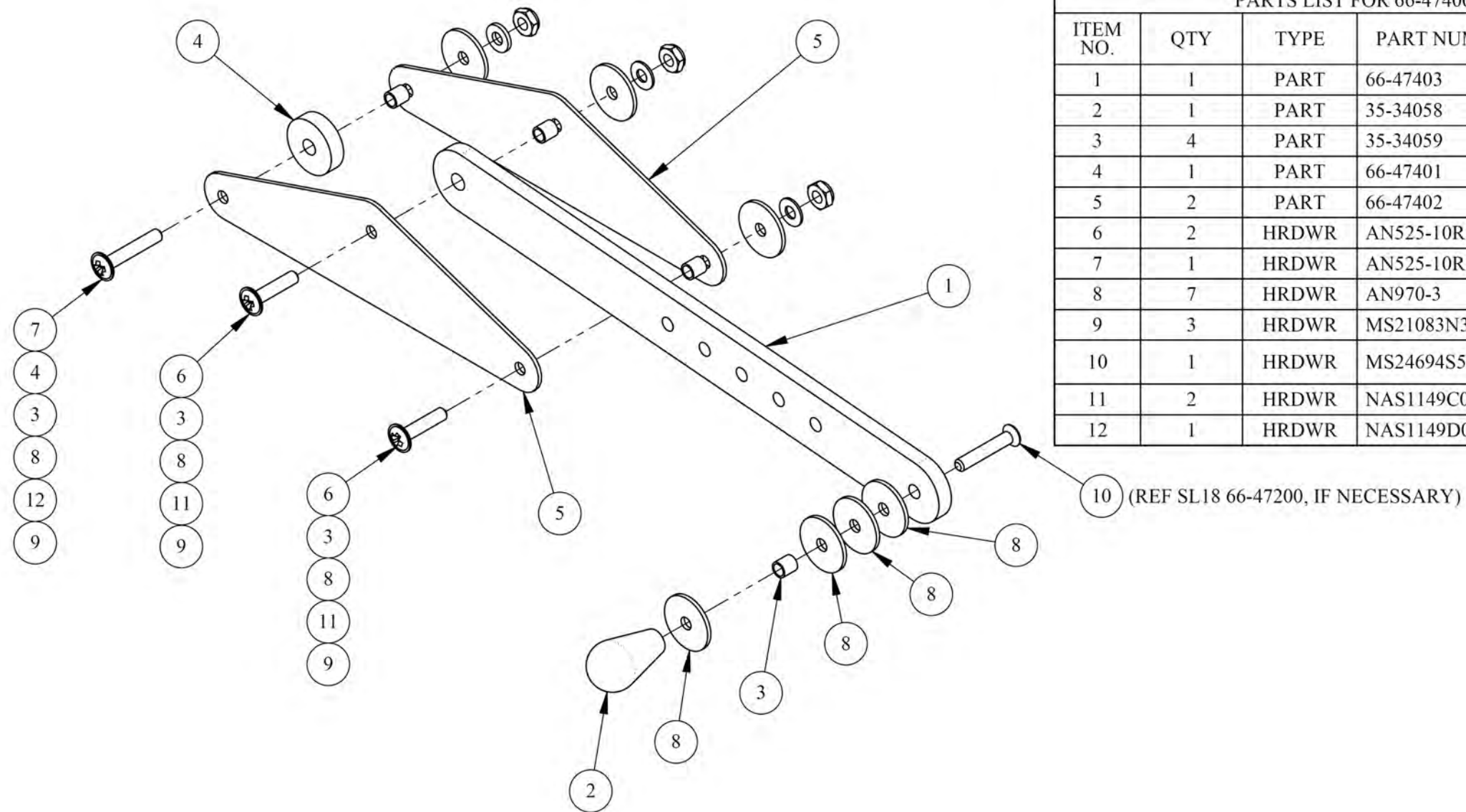


PARTS LIST FOR 66-47300 HYDRAULIC PUMP, 24V DC					
ITEM NO.	QTY.	TYPE	PART NUMBER	DESCRIPTION	
1	1	PART	66-47301	BRACKET, FUSE, HYDRAULIC PUMP MOTOR	
2	1	PART	66-47302-L	CLAMP, HOSE, LOW PRESSURE, TYPE "F"	
3	1	PART	66-47302-R	CLAMP, HOSE, LOW PRESSURE, TYPE "F"	
4	1	PART	66-47356	TUBE FITTING BOSS PLUG, 7/16-20 THREAD	
5	1	HRDWR	66-60024-5	CRIMP SPLICE, HEAT SHRINKABLE	
6	1	HRDWR	G5A01093C	THERMODISC G5A01093C FUSE, THERMAL, 16A, 93 C	AEROCET SERVICING ONLY RETURN PUMP ASSEMBLY TO AEROCET
7	1	HRDWR	MS28778-4	O-RING, STRAIGHT THREAD TUBE FITTING BOSS	
8	2	HRDWR	MS51957-25	MACHINE SCREW	
9	1	HRDWR	OM-150-QCV	Thermostat; Disc; 125/250 VAC; 15/10 A; 0.250 in. Quick Connect; Surface Mount	

ISSUE DATE: 02/11/15		 Incorporated TITLE: ICA Maintenance Manual for 6650 Floats on a Quest KODIAK 100	PAGE: A99 of A100
REVISION DATE: 6/27/2017			FILE NO.: A-10038 Appendix A
			REVISION: 1

70. 66-47400 WATER RUDDER RETRACT HANDLE ASSY

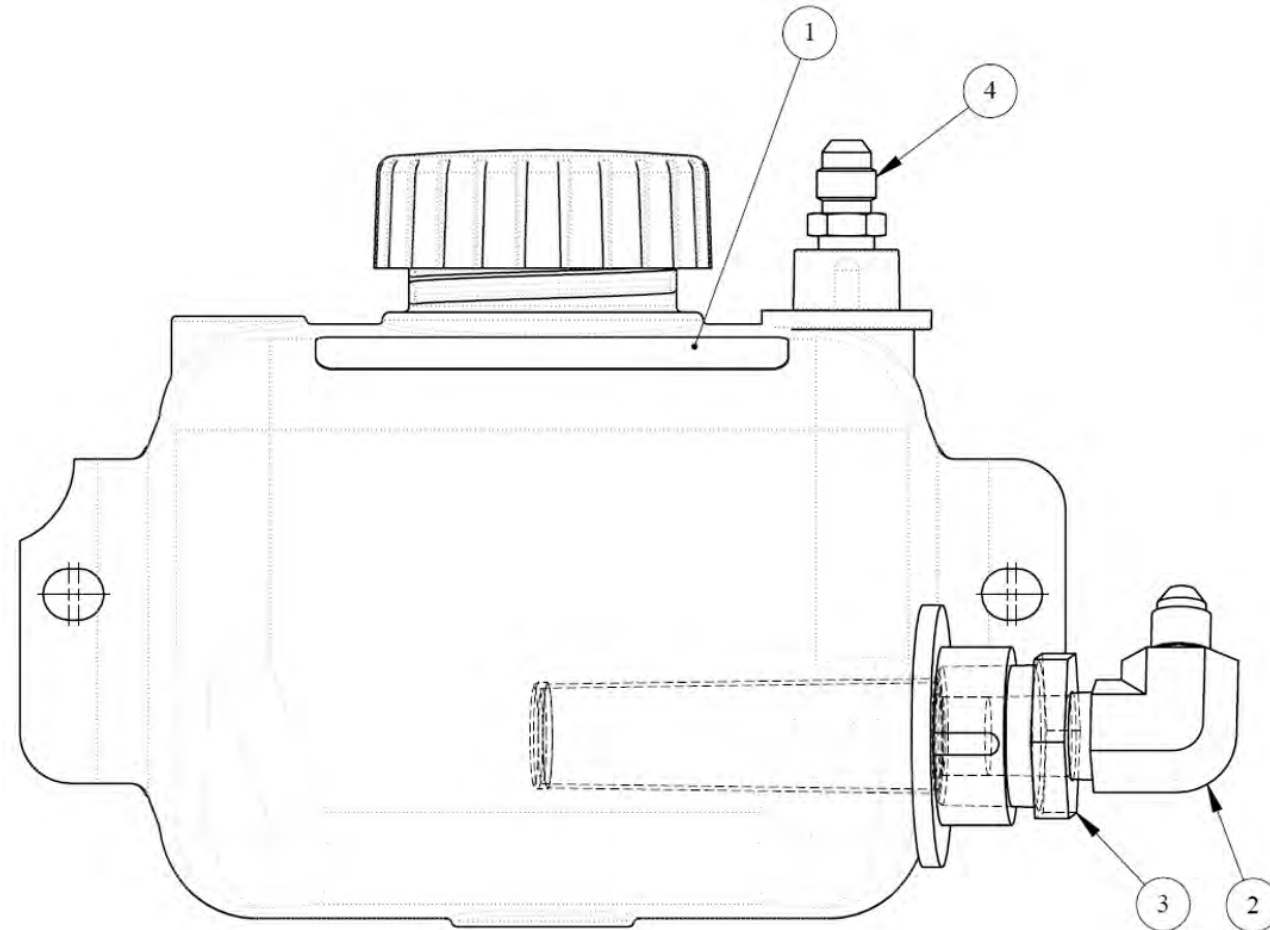
6650 Amphibian



PARTS LIST FOR 66-47400 WATER RUDDER RETRACT HANDLE ASSEMBLY				
ITEM NO.	QTY	TYPE	PART NUMBER	DESCRIPTION
1	1	PART	66-47403	WATER RUDDER RETRACT HANDLE
2	1	PART	35-34058	RETRACT KNOB
3	4	PART	35-34059	WATER RUDDER HANDLE SPACER
4	1	PART	66-47401	SPACER, WATER RUDDER RETRACT HANDLE
5	2	PART	66-47402	WATER RUDDER RETRACT HANDLE, SUPPORT BRACKET
6	2	HRDWR	AN525-10R14	WASHER HEAD SCREW
7	1	HRDWR	AN525-10R18	WASHER HEAD SCREW
8	7	HRDWR	AN970-3	WASHER, FLAT (LARGE AREA)
9	3	HRDWR	MS21083N3	NUT, SELF-LOCKING, LOW-HEIGHT
10	1	HRDWR	MS24694S59	MACHINE SCREW, FLAT COUNTERSUNK HEAD, 100°
11	2	HRDWR	NAS1149C0332R	WASHER, FLAT, STAINLESS
12	1	HRDWR	NAS1149D0363K	WASHER, FLAT

		AEROCET Incorporated			
ISSUE DATE:	02/11/15	TITLE:	ICA Maintenance Manual for 6650 Floats on a Quest KODIAK 100	PAGE	A100 of A100
REVISION DATE:	6/27/2017			FILE NO.	A-10038 Appendix A
				REVISION	1

71. 66-47500 RESERVOIR ASSY, 6650 AMPHIBIAN



REPLACEABLE PARTS LIST FOR 66-47500 RESERVOIR				
ITEM NO.	QTY.	TYPE	PART NUMBER	DESCRIPTION
1	1	PART	66-12057	PLACARD, RESERVOIR FILL
2	1	HRDWR	66-47199	MALE ELBOW
3	1	HRDWR	66-47510	FILTER, SCREEN, INLINE
4	1	HRDWR	AN816-4D	NIPPLE, FLARED TUBE AND PIPE THREAD